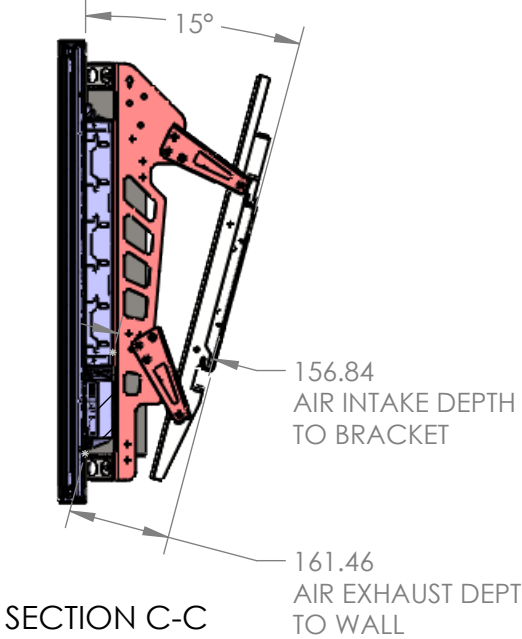
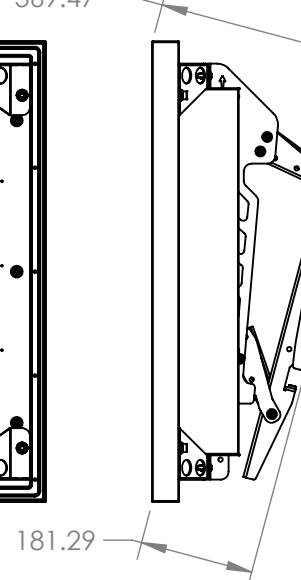
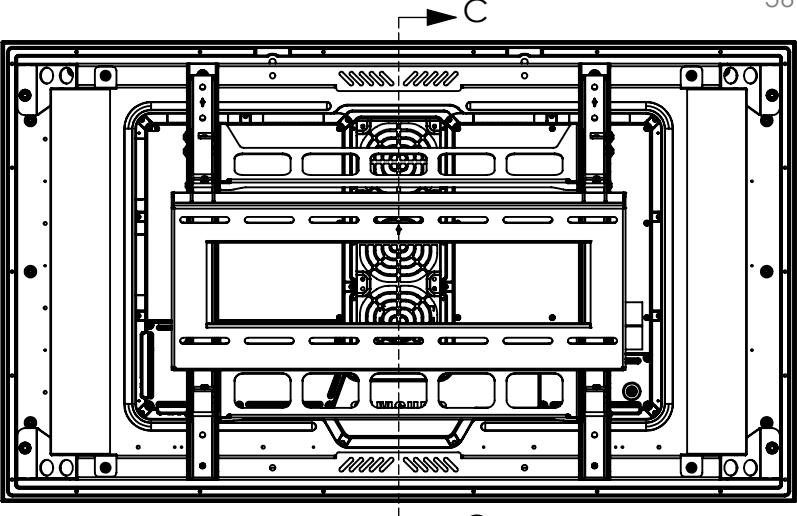
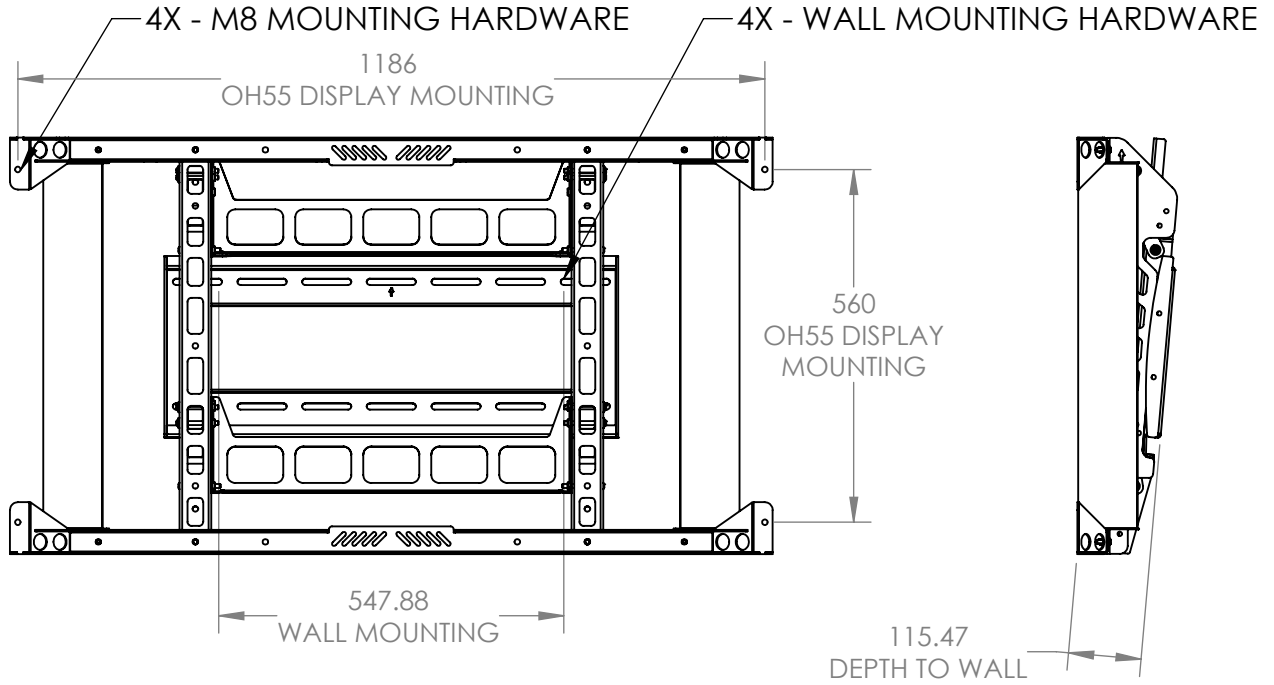
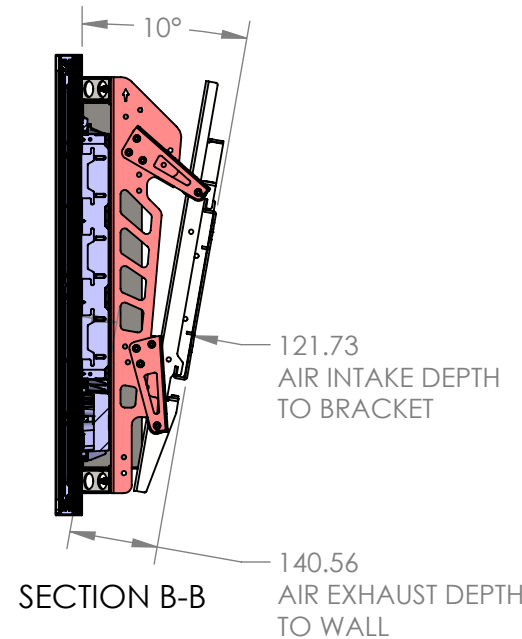
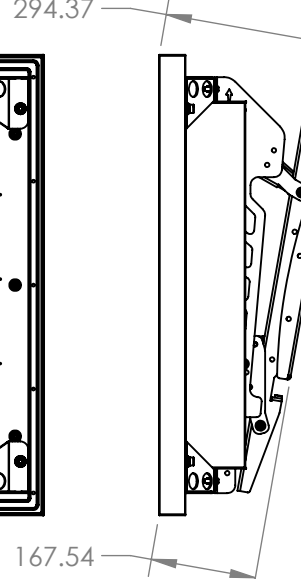
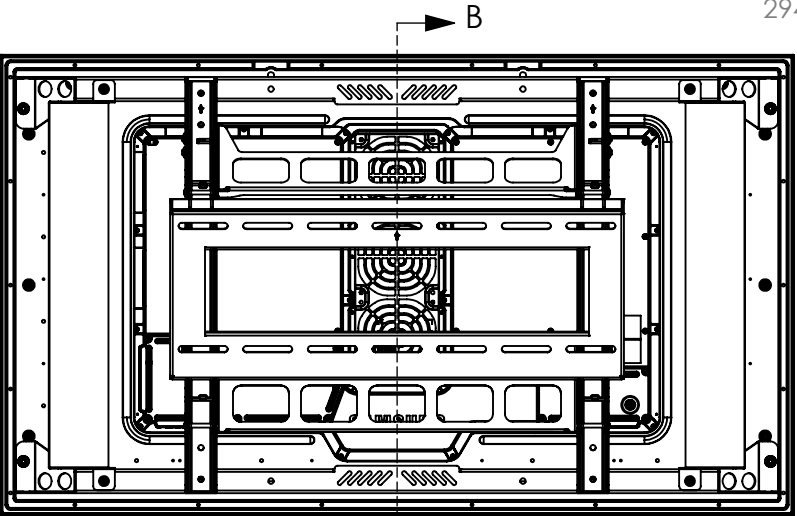
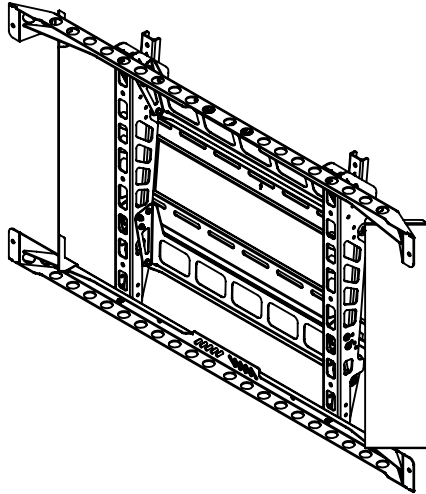
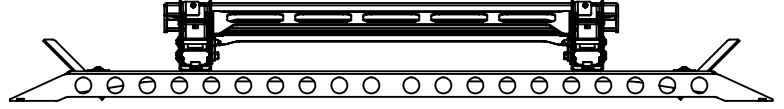
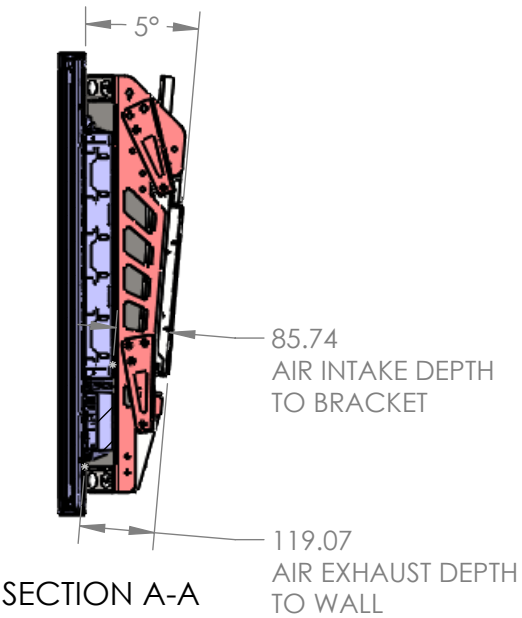
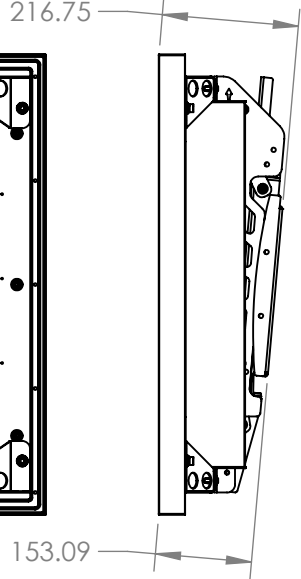
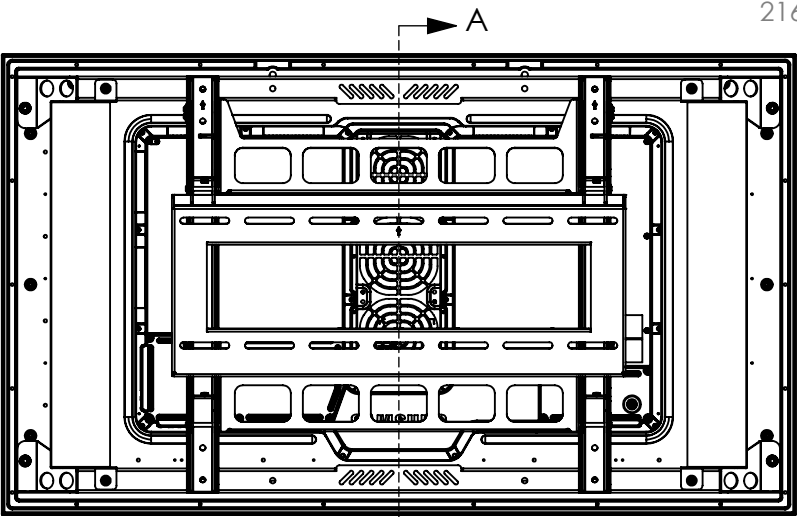


LANDSCAPE MODE

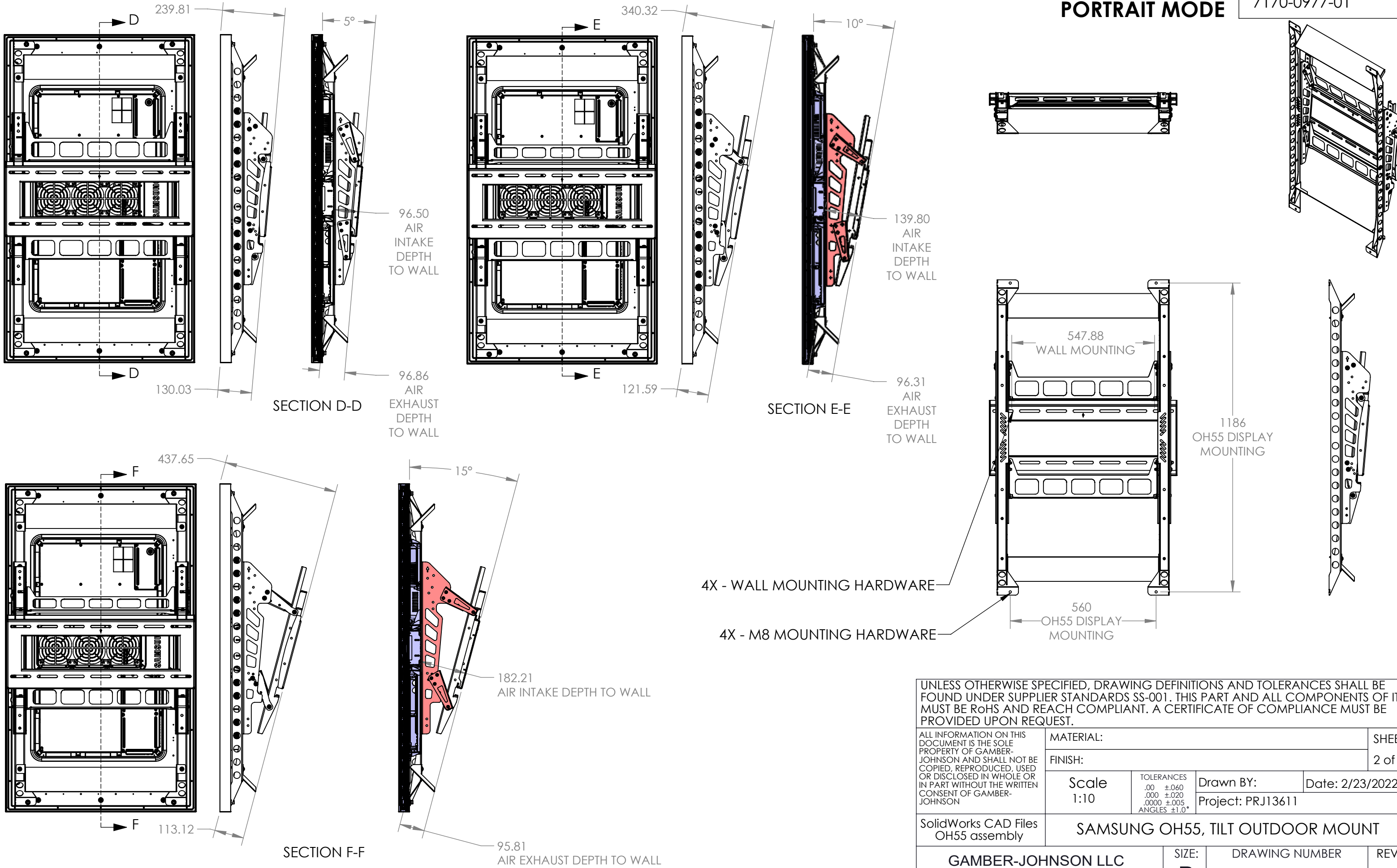
7170-0977-01



X1	2/22/2022	REVIEW		TP
REV.	DATE		DESCRIPTION	BY
REVISIONS				
UNLESS OTHERWISE SPECIFIED, DRAWING DEFINITIONS AND TOLERANCES SHALL BE FOUND UNDER SUPPLIER STANDARDS SS-001. THIS PART AND ALL COMPONENTS OF IT MUST BE RoHS AND REACH COMPLIANT. A CERTIFICATE OF COMPLIANCE MUST BE PROVIDED UPON REQUEST.				
ALL INFORMATION ON THIS DOCUMENT IS THE SOLE PROPERTY OF GAMBER-JOHNSON AND SHALL NOT BE COPIED, REPRODUCED, USED OR DISCLOSED IN WHOLE OR IN PART WITHOUT THE WRITTEN CONSENT OF GAMBER-JOHNSON		MATERIAL:		SHEET
		FINISH:		1 of 2
Scale 1:8	TOLERANCES .00 ±.060 .000 ±.020 .0000 ±.005 ANGLES ±1.0°	Drawn BY:	Date: 2/23/2022	
SolidWorks CAD Files OH55 assembly		Project: 13611		
SAMSUNG OH55, TILT OUTDOOR MOUNT		SIZE: B	DRAWING NUMBER 7170-0977-01	REV: X1
GAMBER-JOHNSON LLC 5001 JOERNS AVE., STEVENS POINT, WI 54481				

PORTRAIT MODE

7170-0977-01



UNLESS OTHERWISE SPECIFIED, DRAWING DEFINITIONS AND TOLERANCES SHALL BE FOUND UNDER SUPPLIER STANDARDS SS-001. THIS PART AND ALL COMPONENTS OF IT MUST BE RoHS AND REACH COMPLIANT. A CERTIFICATE OF COMPLIANCE MUST BE PROVIDED UPON REQUEST.

ALL INFORMATION ON THIS DOCUMENT IS THE SOLE PROPERTY OF GAMBER-JOHNSON AND SHALL NOT BE COPIED, REPRODUCED, USED OR DISCLOSED IN WHOLE OR IN PART WITHOUT THE WRITTEN CONSENT OF GAMBER-JOHNSON	MATERIAL:		SHEET 2 of 2
	FINISH:		
	Scale 1:10	TOLERANCES .00 ±.060 .000 ±.020 .0000 ±.005 ANGLES ±1.0°	Drawn BY: Date: 2/23/2022 Project: PRJ13611
SolidWorks CAD Files OH55 assembly		SAMSUNG OH55, TILT OUTDOOR MOUNT	
GAMBER-JOHNSON LLC 5001 JOERNS AVE., STEVENS POINT, WI 54481		SIZE: B	DRAWING NUMBER 7170-0977-01 REV: X1