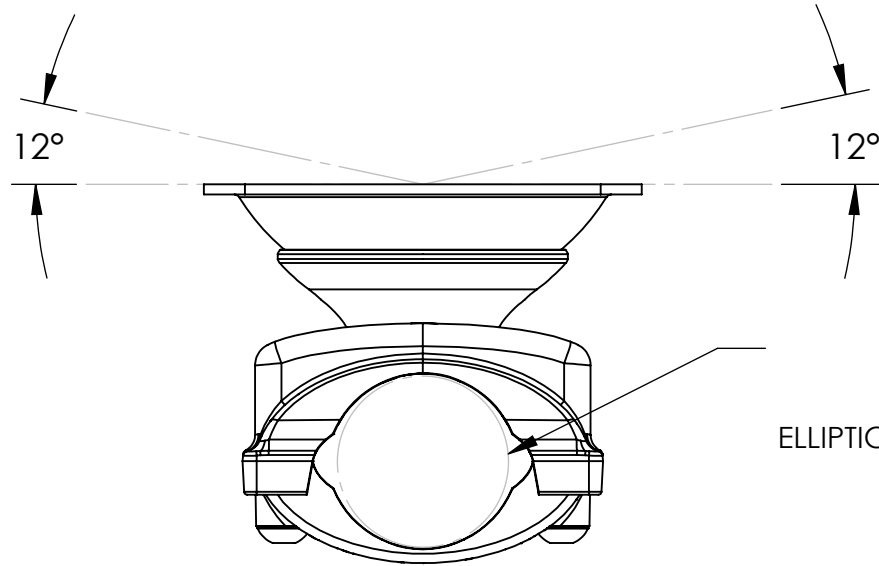
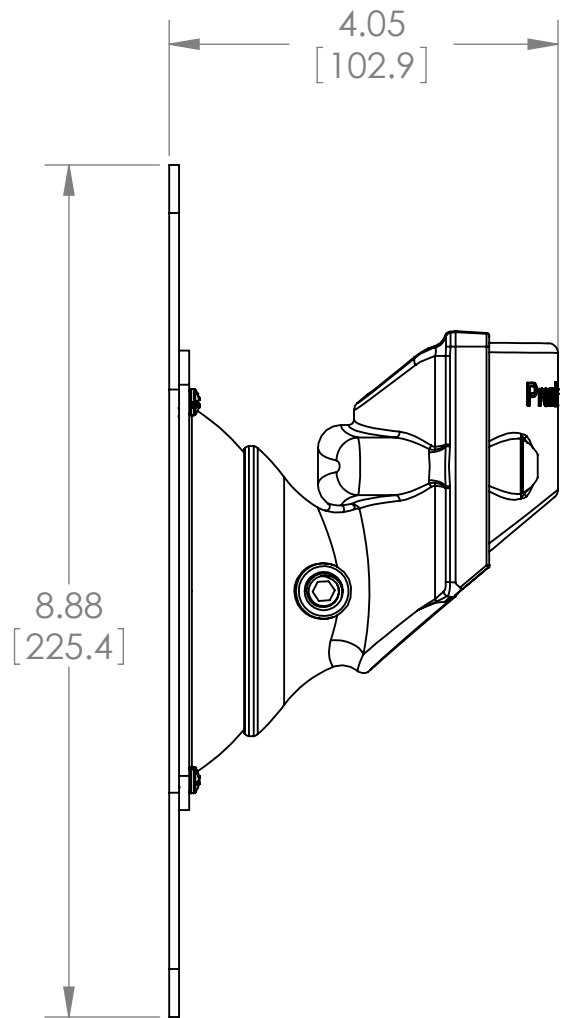
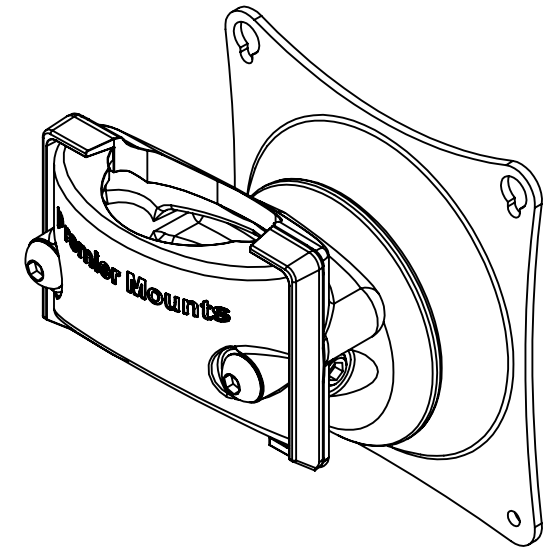


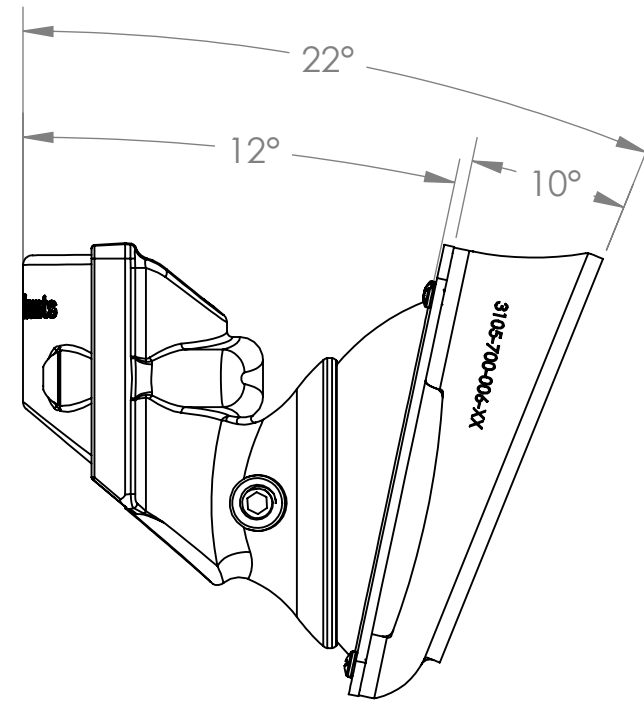
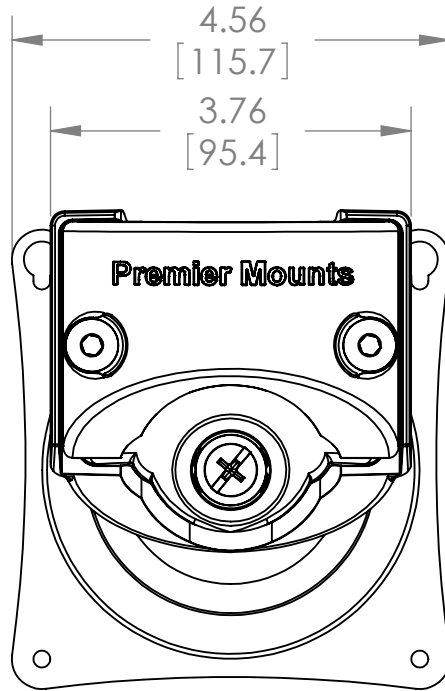
THE INFORMATION CONTAINED IN THIS DRAWING IS THE SOLE PROPERTY OF PREMIER MOUNTS DIVISION OF <PMPI> ANY REPRODUCTION IN PART OR WHOLE WITHOUT THE WRITTEN PERMISSION OF PREMIER MOUNTS DIVISION OF <PMPI> IS PROHIBITED.



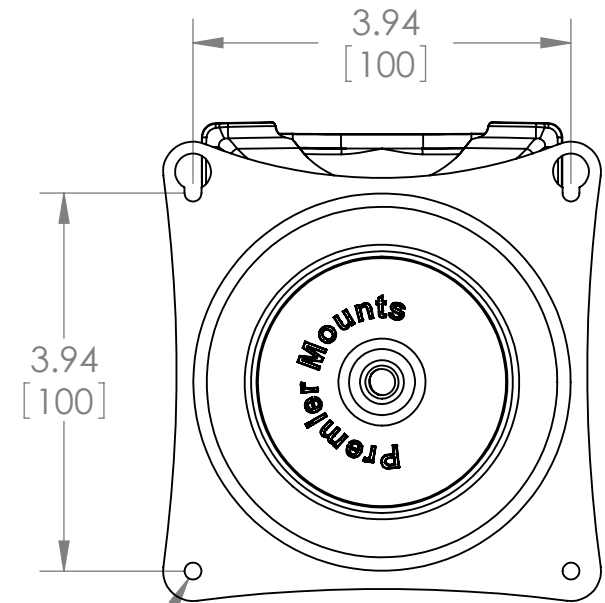
VPM WORKS WITH
 1.5" PIPE
 2" TUBING
 ELLIPTICAL TUBING 1.1" X 2.28" (PREMIER STOCK)
 2" PIPE



SHOWN WITH
 200 X 200 ADAPTER
 (SEE PART# UFP-280)



ADAPTERS PROVIDE
 10° OF ADDITIONAL TILT
 (SHOWN WITH ADAPTERS)



Ø.18 [4.5]