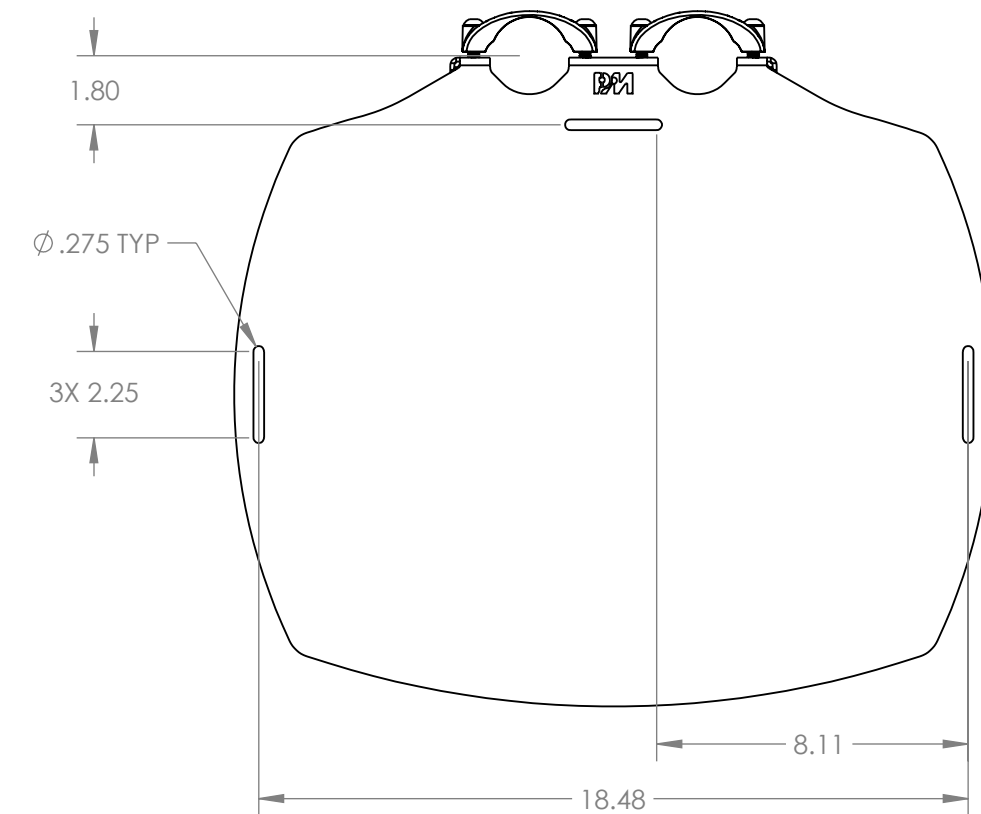
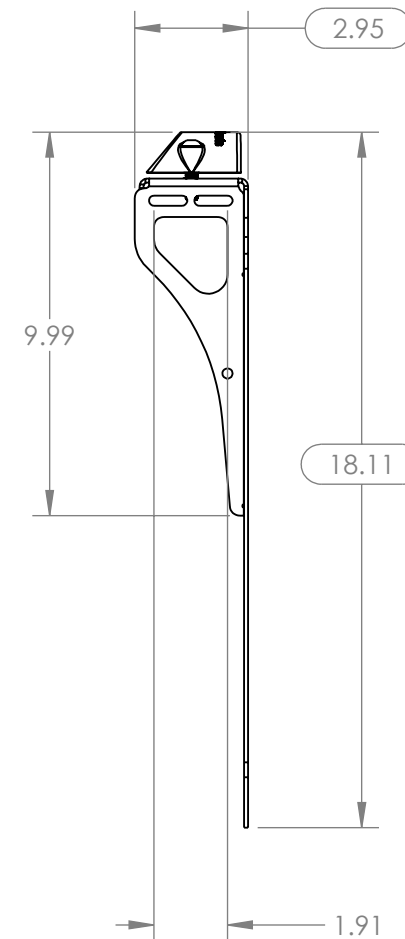
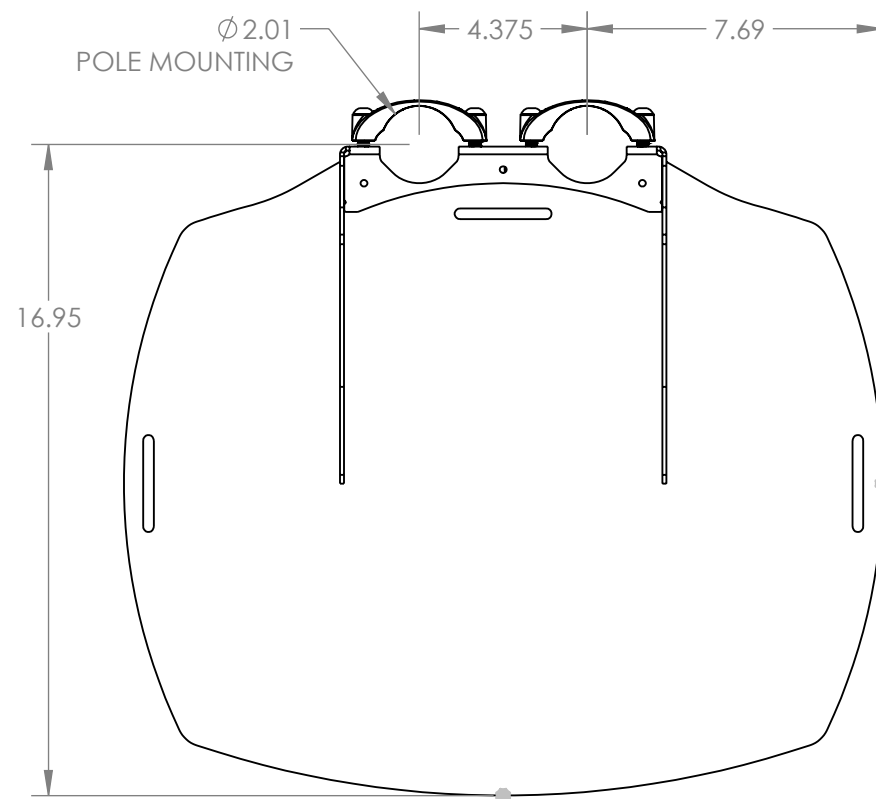
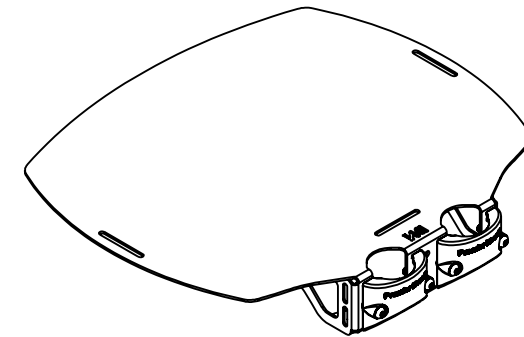
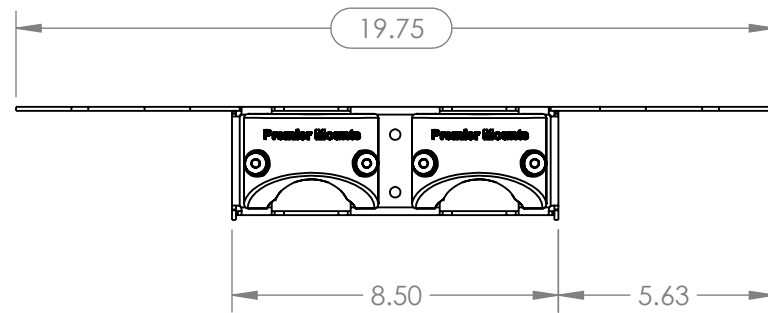


DUAL POLE TWO PIECE LARGE SHELF : 7170-1004-10

WEIGHT = 10.0 LBS
WEIGHT RATING = 50.0 LBS



SLOTS FOR ADDING VARIOUS ACCESORIES INCLUDING LAPTOPS AND ZIRKONA PRODUCTS