



INSTALLATION INSTRUCTIONS

<u>Product</u>	<u>Revision</u>	<u>Form</u>
7160-1310, 7160-1311	Rev A	INST-911
EQUINOX LUXE 8500i LOW SWIVEL AND CLEVIS MOUNTS		Printing Spec: PS-001

These instructions detail the installation of the Gamber-Johnson low swivel (7160-1310) and clevis (7160-1311) mounts for the Equinox Luxe 8500i. The hardware included will allow the mount to be attached to a surface up to 1" thick. For thicker surfaces or different applications longer 1/4-20 flat head screws will be needed. See the assembly diagrams below for each mount, 7160-1310 and 7160-1311.

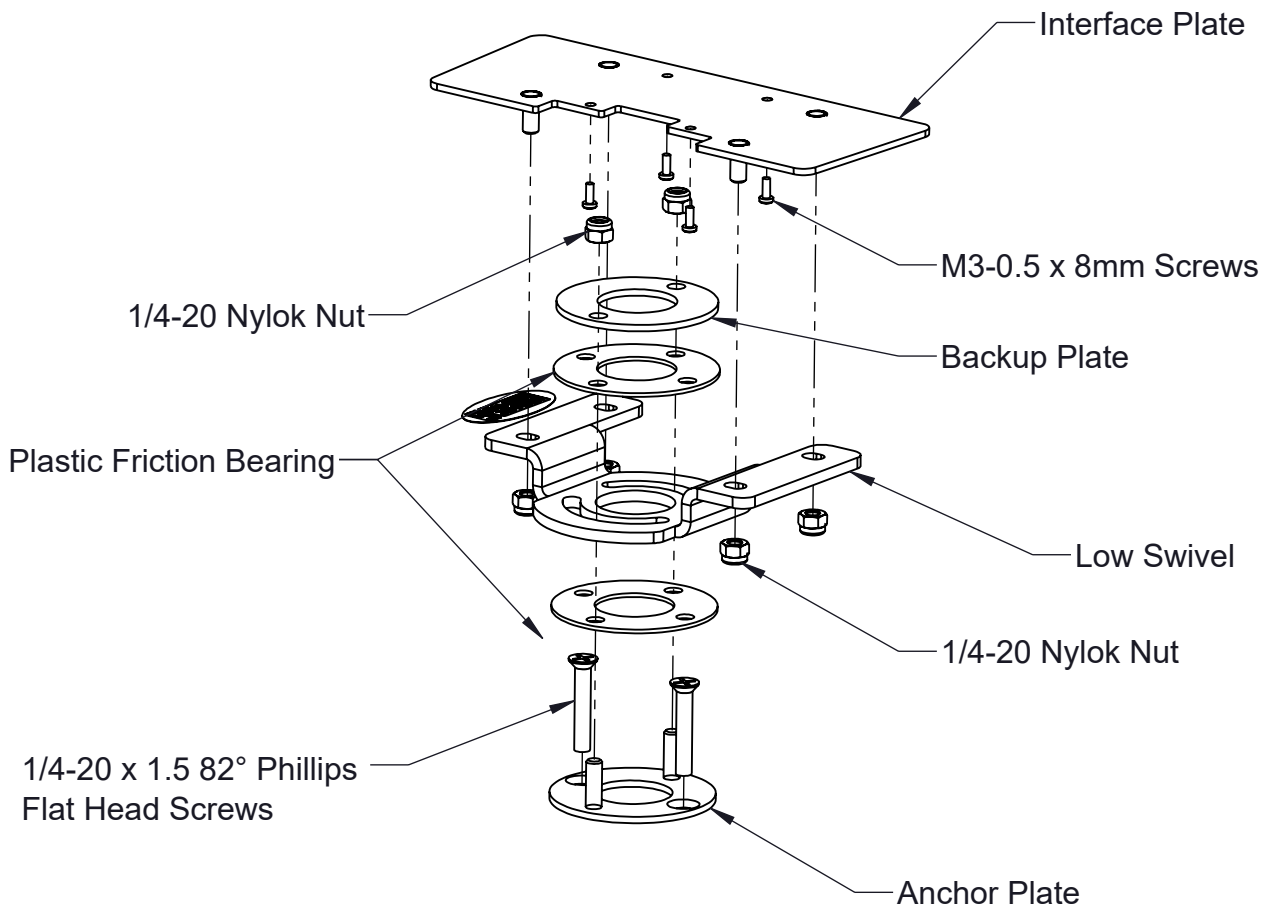


FIG 1 - Low Swivel Assembly Diagram

Product Mounting Disclaimer

Gamber-Johnson is not liable under any theory of contract or tort law for any loss, damage, personal injury, special, incidental or consequential damages for personal injury or other damage of any nature arising directly or indirectly as a result of the improper installation or use of its products in vehicle or any other application. In order to safely install and use Gamber-Johnson products full consideration of vehicle occupants, vehicle systems (i.e., the location of fuel lines, brake lines, electrical, drive train or other systems), air-bags and other safety equipment is required. Gamber-Johnson specifically disclaims any responsibility for the improper use or installation of its products not consistent with original vehicle manufactures specifications and recommendations, Gamber-Johnson product instruction sheets, or workmanship standards as endorsed through the Gamber-Johnson Certified Installer Program.

© Copyright 2019 Gamber-Johnson, LLC

If you need assistance or have questions, call Gamber-Johnson at 1-800-456-6868

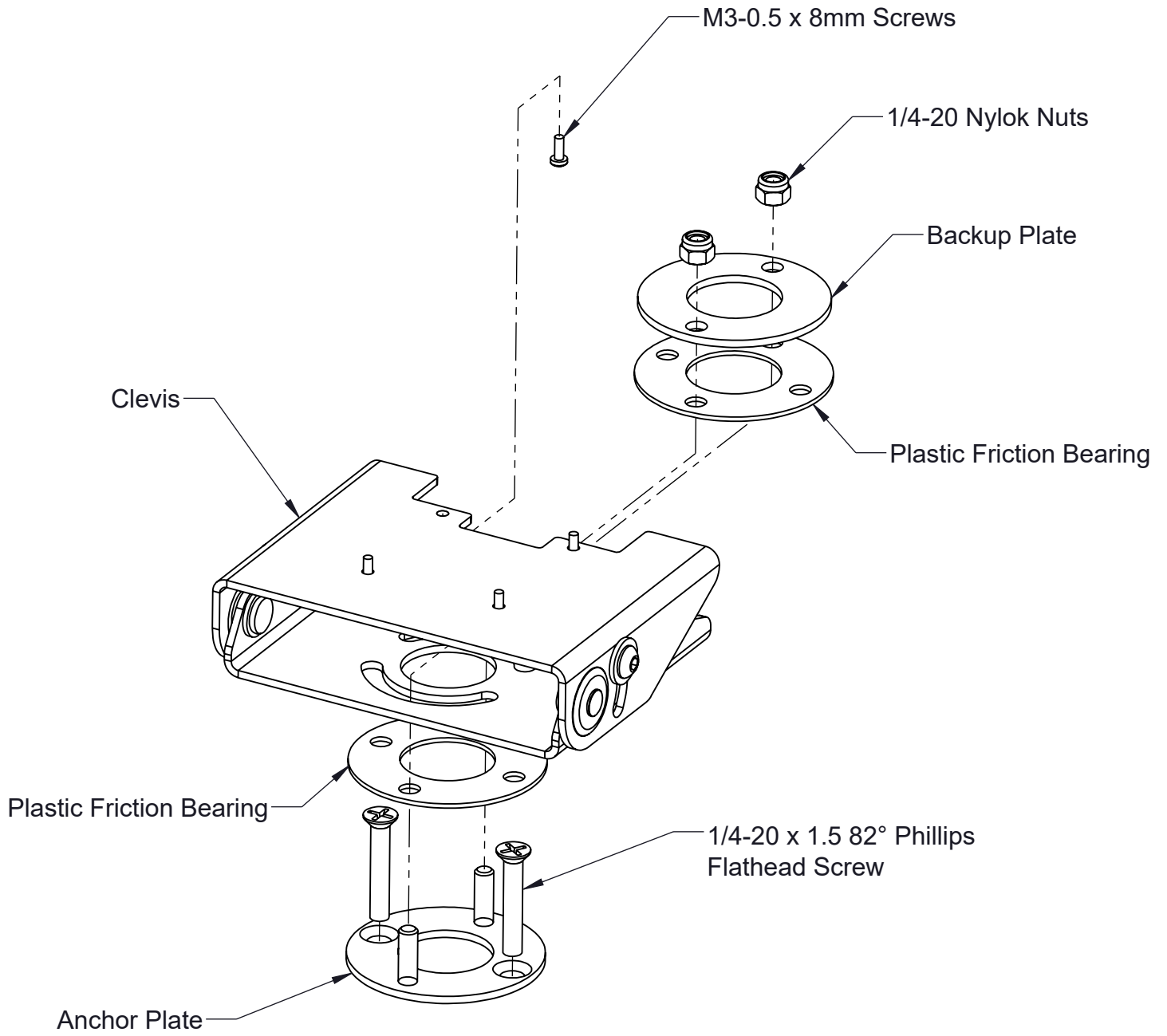


FIG 2 - Clevis Assembly Diagram

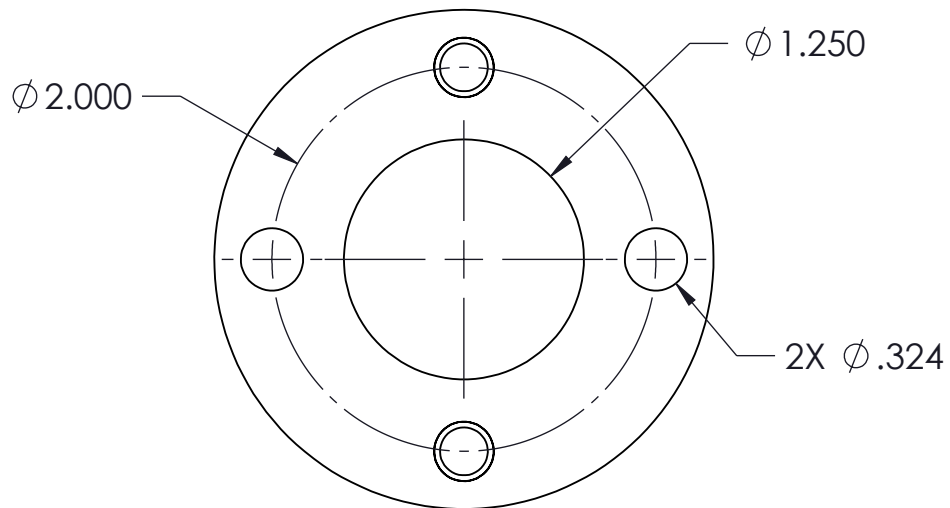


FIG 3 - Anchor Plate Dimensions