



AM50-B Dual Arm Swingout Mount for Flat-Panel Displays

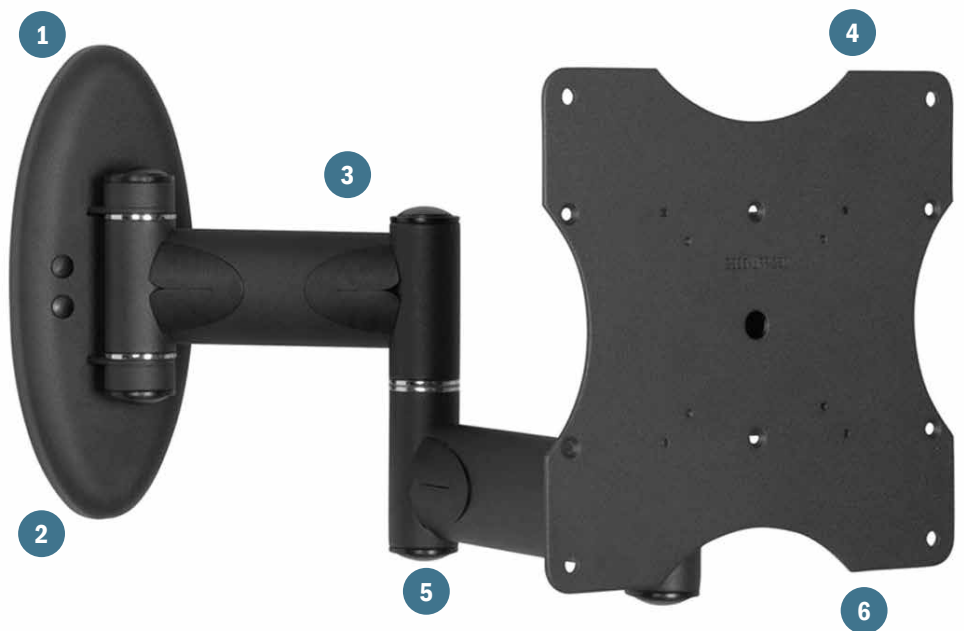
ITEM: AM50-B

WEIGHT CAPACITY:
50 LB. / 22.68 KG

The AM50-B is a single stud, dual arm swingout mounting solution for flat-panel displays. Single stud installation saves installation time and allows for integration into any space. 360° rotation and 90° of swivel ensure that displays are shown at the most optimal viewing height for any audience. The AM50-B is also OSHPD certified and UL certified demonstrating some of the safest mounting solutions available for integrators.

FEATURES

- 1 OSPHD approved for highest earthquake safety ratings
- 2 Single stud installation time saving solution
- 3 Dual arm swing out up to 16.9" from wall
- 4 Maximum VESA pattern of 200 x 200 mm
- 5 Radial Glide™ for smooth viewing angle adjustments
- 6 Supports displays up to 50 lbs.



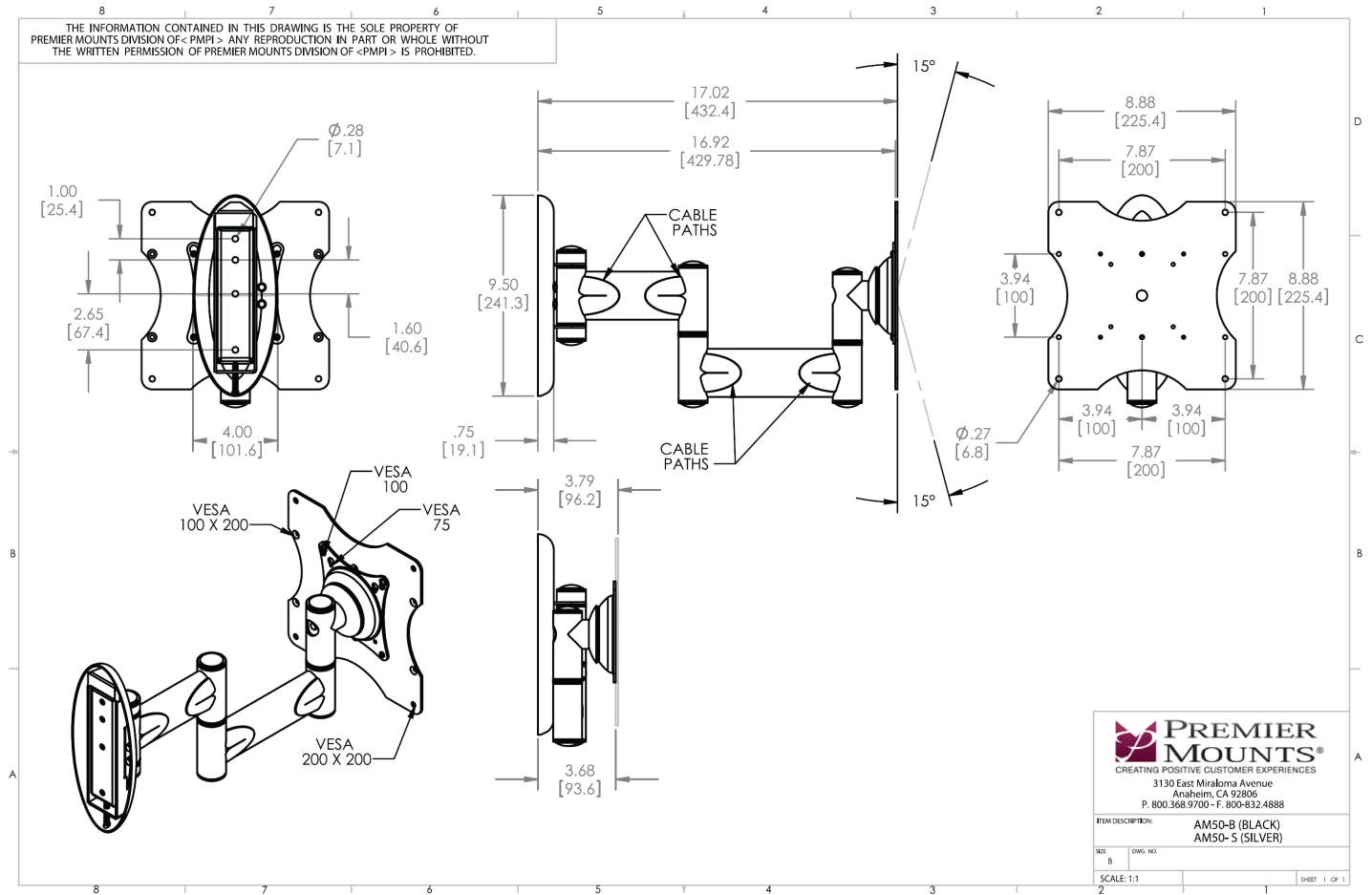
SPECIFICATIONS

WEIGHT	COLOR	WEIGHT CAPACITY/MOUNT	MOUNTING PATTERN
11.1 lb. 5.03 kg	Black	50 lb. 22.68 kg	75 x 75 mm (Min), 100 x 100, 200 x 100, 200 x 200 mm (Max)
WIDTH x HEIGHT x DEPTH			WARRANTY
8.88 in. x 8.88 in. x 3.7 in. 225.55 mm x 225.55 mm x 93.98 mm			Lifetime

PACKAGING

WIDTH x HEIGHT x DEPTH	CONTENTS
10.8 in. x 5.8 in. x 11 in. 274.32 mm x 147.32 mm x 279.4 mm	Mount (x1), Universal Hardware Pack (x1), Instruction Manual (x1)

ARCHITECTURAL DRAWING



PREMIER MOUNTS®
 CREATING POSITIVE CUSTOMER EXPERIENCES
 3130 East Miraloma Avenue
 Anaheim, CA 92806
 P. 800.368.9700 - F. 800.632.4888

ITEM DESCRIPTION: **AM50-B (BLACK)**
AM50-S (SILVER)

SHEET 1 OF 1