



ECM-3763S, ECM-3763D ECM Ceiling Mount Series for Single & Back-to-Back Flat Panels

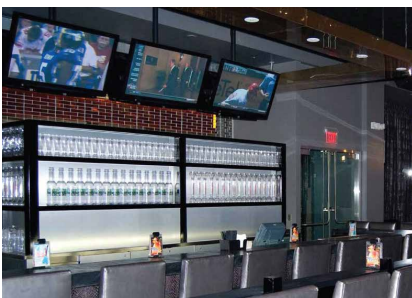
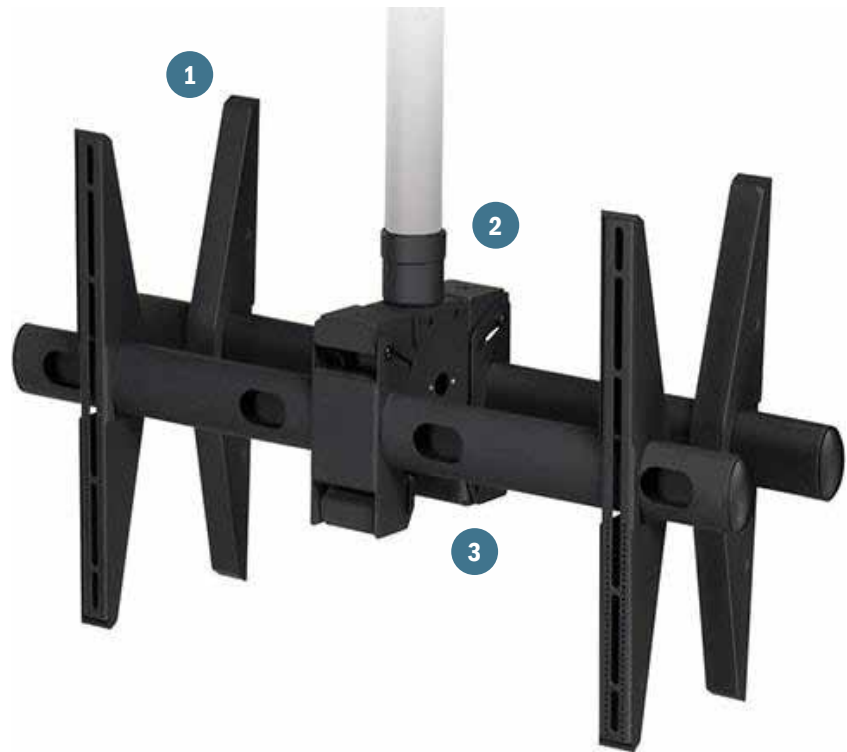
ITEM: ECM-3763S, ECM-3763D

WEIGHT CAPACITY:
160 LB. | 72.57 KG

FEATURES

- 1 Mounts to walls, floor, stands, carts and ceiling adapters
 - 2 12° of continuous tilt
 - 3 Universal mounting pattern up to 800 x 505mm
- 15° tilt available for both models
 - ECM-3763S supports a single flat panel and suspends from the ceiling with 1.5 in. NPT pipe (not included)
 - ECM-3763D supports two flat panels back-to-back and suspends from the ceiling with 2 in. NPT pipe (not included)
 - ECM-3763D center support features mounting points to receive J-Box for power or A/V (not included)

The ECM Ceiling Mount Series features single & back-to-back flat panel mounts that hold displays up to 175 lb./79.5 kg per head. The ECM-3763S suspends a single display from the ceiling and adapts to 1.5 in. NPT threaded pipe or height adjustable pipe adapter. The ECM-3763D suspends two back-to-back displays from the ceiling and adapts to 2 in. NPT pipe. Both models mount displays right out of the box with no adapters needed, work with optional brackets for mini PCs or digital media player adapters, and offer integrated cable management for a clean and organized installation.



		
ECM-3763S supports a single flat panel up to 175 lb. ECM-3763D supports two flat-panels up to 350 lb. total	ECM-3763D center support features mounting points to receive J-Box for power or A/V (not included)	Both mounts feature integrated cable management for a clean, organized look



ECM-3763S, ECM-3763D ECM Ceiling Mount Series for Single & Back-to-Back Flat Panels

SPECIFICATIONS

MODEL	COLOR	WEIGHT	WEIGHT CAPACITY/MOUNT	MOUNTING PATTERN
ECM-3763S	Black	24.44 lb. 11.1 kg	175 lb. 79.5 kg	200 x 200 mm (Min) - 875 x 505 mm (Max)
ECM-3763D	Black	53 lb. 24.1 kg	175 lb. 79.5 kg	200 x 200 mm (Min) - 875 x 505 mm (Max)

MODEL	WIDTH x HEIGHT x DEPTH	TOTAL WEIGHT CAPACITY	WARRANTY
ECM-3763S	37.2 x 21.32 x 3.34 in. 945 x 541 x 85 mm	175 lb. 79.5 kg	Lifetime
ECM-3763D	37.2 x 21.32 x 10.19 in. 945 x 541 x 259 mm	350 lb. 159.1 kg	Lifetime

PACKAGING

MODEL	WIDTH x HEIGHT x DEPTH	CONTENTS
ECM-3763S	42.75 x 13.38 x 3.5 in. 1086 x 340 x 89 mm	ECM-3763S: ECM Molding Covers (x2), Weldment Support Bracket (x2), ECM Mount Assembly (x1), Hardware Pack (x1)
ECM-3763D (Box 1)	42.75 x 13.38 x 3.5 in. 1086 x 340 x 89 mm	ECM Molding Covers (x4), Weldment Support Bracket (x4), ECM Mount Assembly without Coupler (x2), Hardware Pack (x2), Dual Mount CRM Back-to-Back Assembly (x1)
ECM-3763D (Box 2)	42.75 x 13.38 x 3.5 in. 1086 x 340 x 89 mm	

ACCESSORIES

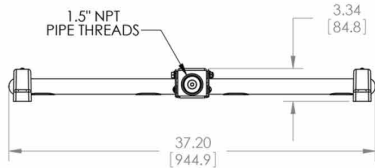


Adjustable-Height Ceiling Adapter (ECM-3763S only)
AST-2446

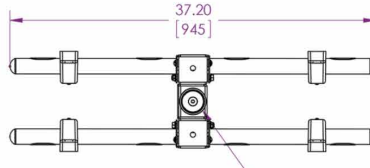


Adjustable-Height Ceiling Adapter (ECM-3763D only)
AST-2446-2

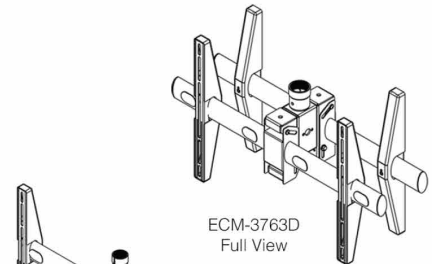
ARCHITECTURAL DRAWING



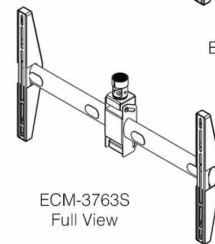
ECM-3763S
Top View



ECM-3763D
Top View

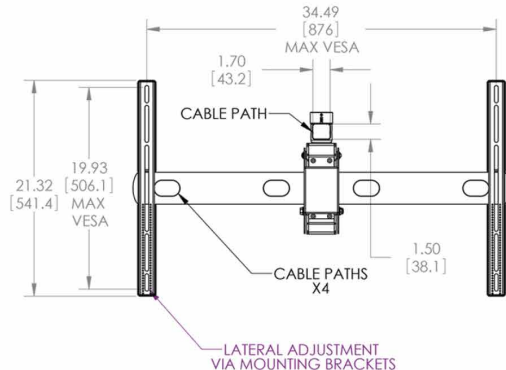


ECM-3763D
Full View

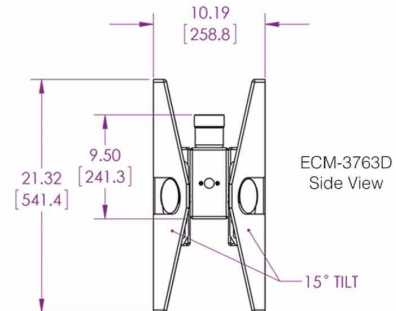


ECM-3763S
Full View

ECM-3763S/ECM-3763D
Front View



ECM-3763S
Side View



ECM-3763D
Side View