



P-Series Low-Profile Tilting Mount for Flat Panel Displays

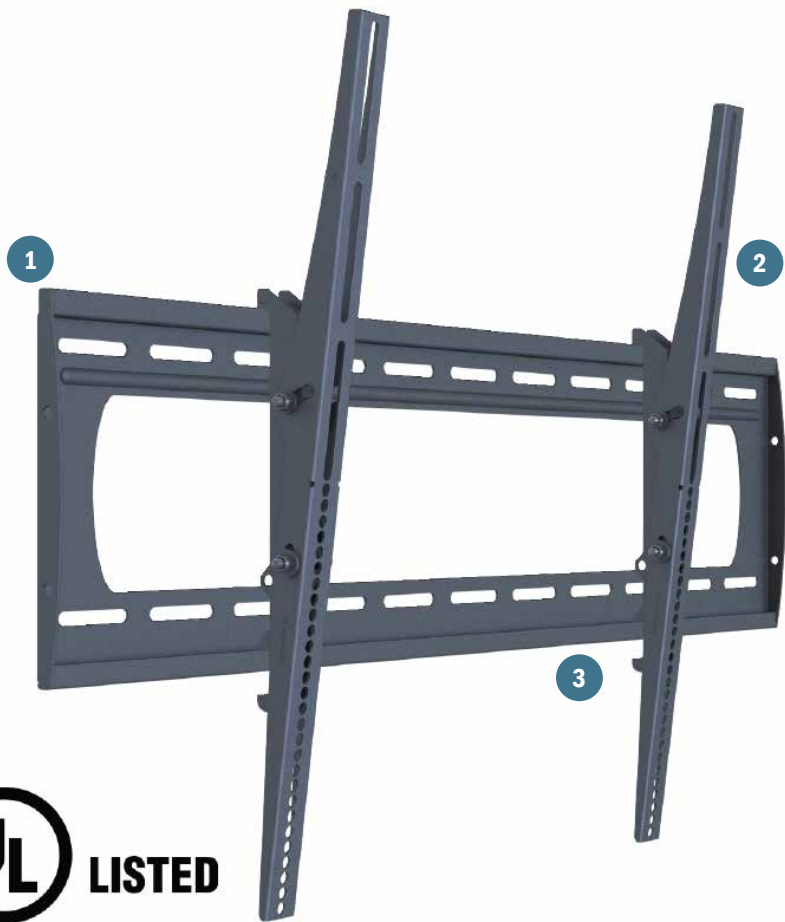
ITEMS: P2642T, P4263T, P5080T, P4263TP

WEIGHT CAPACITY:
130 - 300 LB / 59 - 136 KG.

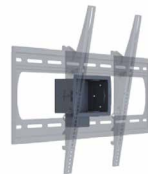
The P-Series Low-Profile Tilting Mounts are for flat panels up to 300 lb. They feature post-installation leveling, lateral alignment, a locking security barrel, 8-10° of continuous downward tilt and an open mounting frame for easy access to power sources and cables. Products in the P-Series Tilting Mount line include the P2642T, P4263T, P5080T and P4263TP mounts.

FEATURES

- 1 Holds flat panel displays less than 2 inches from the wall
 - 2 8-10° of continuous downward tilt
 - 3 Post-installation leveling system
- Lock-It™ security barrel included
 - Built-in lateral shift
 - Open design for easy cable and electrical access
 - Mounting kit includes wood, concrete and steel stud attachment hardware



P4263TP available in portrait mode for digital menu board applications



Accessories available for shelving and in-wall storage options



Lock-it™ Security barrel deters theft of display



P2642T, P4263T, P5080T, P4263TP

P-Series Low-Profile Tilting Mount for Flat Panel Displays

SPECIFICATIONS

ITEM	WEIGHT	COLOR	WEIGHT CAPACITY/MOUNT	MOUNTING PATTERN
P2642T	11.96 lb. 5.4 kg	Black	130 lb. 59.1 kg	200 x 200 mm (Min) - 525 x 400 mm (Max)
P4263T	14.66 lb. 6.7 kg	Black	175 lb. 79.5 kg	200 x 200 mm (Min) - 800 x 525 mm (Max)
P5080T	21.24 lb. 9.7 kg	Black	300 lb. 136.4 kg	200 x 200 mm (Min) - 1110 x 700 mm (Max)
P4263TP	15.12 lb. 6.9 kg	Black	175 lb. 79.5 kg	200 x 200 mm (Min) - 535 x 700 mm (Max)
ITEM	WIDTH x HEIGHT x DEPTH		TOTAL WEIGHT CAPACITY	WARRANTY
P2642T	22.41 x 16.5 x 1.97 in. 569 x 419 x 50 mm		130 lb. 59.1 kg	Lifetime
P4263T	33.25 x 21.38 x 1.97 in. 845 x 543 x 50 mm		175 lb. 79.5 kg	Lifetime
P5080T	45.21 x 28.35 x 1.97 in. 1148 x 720 x 50 mm		300 lb. 136.4 kg	Lifetime
P4263TP	22.41 x 16.5 x 1.97 in. 569 x 419 x 50 mm		175 lb. 79.5 kg	Lifetime

PACKAGING

ITEM	WIDTH X HEIGHT X DEPTH	MOUNTING PATTERN
P2642T	11.75 x 2.25 x 23.5 in. 298 x 57 x 597 mm	Back Plate (x1), Adapter Arms (x2), PM Series Hardware Pack (x1)
P4263T	11.75 x 3.13 x 34.5 in. 298 x 80 x 876 mm	Back Plate (x1), Adapter Arms (x2), PM Series Hardware Pack (x1)
P5080T	12 x 3 x 46.5 in. 305 x 76 x 1181 mm	Back Plate (x1), Adapter Arms (x2), PM Series Hardware Pack (x1)
P4263TP	11.75 x 3 x 30 in. 298 x 76 x 762 mm	Back Plate (x1), Adapter Arms (x2), PM Series Hardware Pack (x1)

ACCESSORIES



In-wall A/V and Power GearBox™
GB-INWAVPB

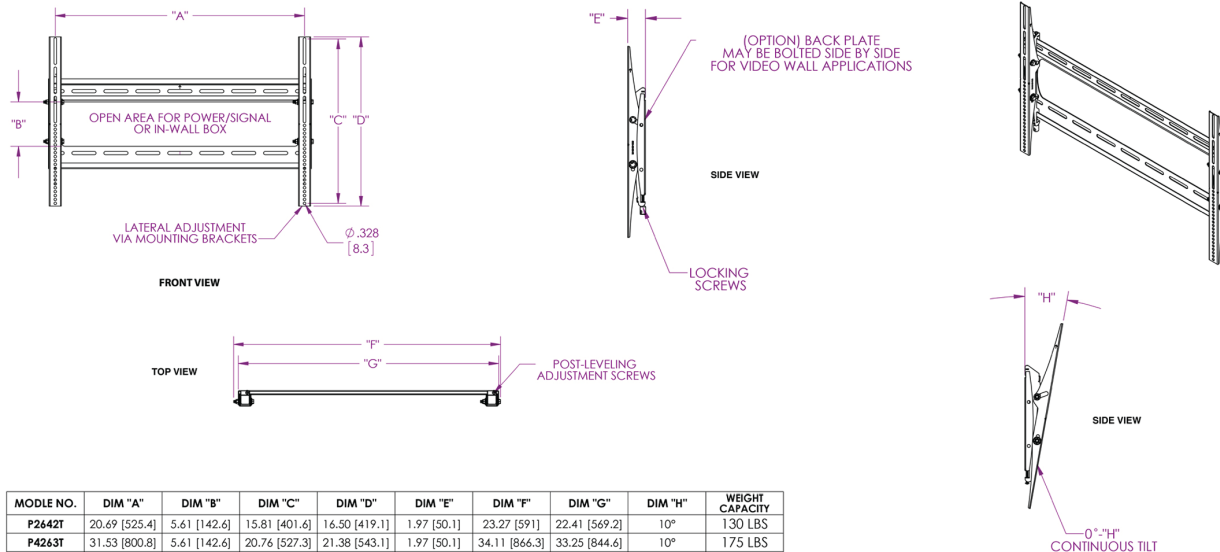


A/V Shelving System for P-Series Mounts
SHLF-VE



Video Conference Shelf for P-Series
SHLF-VC

ARCHITECTURAL DRAWING



MODEL NO.	DIM "A"	DIM "B"	DIM "C"	DIM "D"	DIM "E"	DIM "F"	DIM "G"	DIM "H"	WEIGHT CAPACITY
P2642T	20.69 [525.4]	5.61 [142.6]	15.81 [401.6]	16.50 [419.1]	1.97 [50.1]	23.27 [591]	22.41 [569.2]	10°	130 LBS
P4263T	31.53 [800.8]	5.61 [142.6]	20.76 [527.3]	21.38 [543.1]	1.97 [50.1]	34.11 [866.3]	33.25 [844.6]	10°	175 LBS
P5080T	43.39 [1102]	5.76 [146.4]	27.58 [700.4]	28.35 [720.1]	1.97 [50.1]	45.96 [1167.5]	45.21 [1148.3]	8°	300 LBS
P4263TP	20.64 [524.1]	5.61 [142.6]	27.58 [700.4]	16.5 [419.1]	1.97 [50.1]	23.27 [591]	22.41 [569.2]	8°	175 LBS

DIMENSION ARE IN INCH AND [MM]