



# Versatile Flat Panel Mount for Carts & Stands

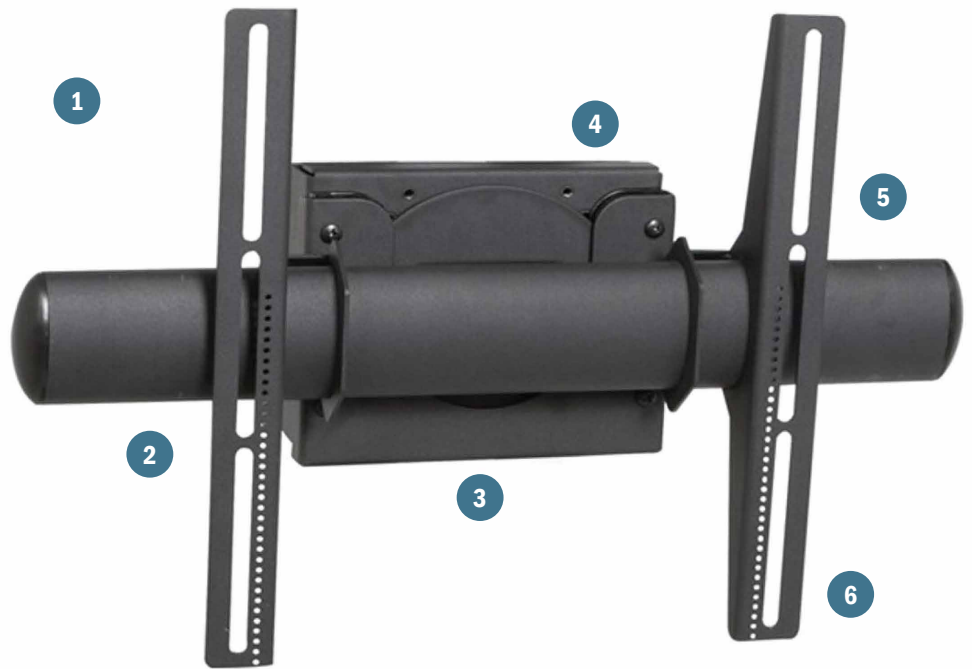
**ITEM:** RTM-S

**WEIGHT CAPACITY:**  
125 LB. | 56.70 KG

## FEATURES

- 1 360° rotation for landscape and portrait orientations
- 2 +35°/-10° of tilt
- 3 Pairs easily with Premier Mounts carts and stands
- 4 Vertical adjustability for perfect viewing height
- 5 Holds up to 125 lbs.
- 6 200 x 200 (Min) to 540 x 360 (Max) mm VESA pattern

The RTM-S is a versatile flat panel mount made for flexibility in viewing angle. What makes this mount so versatile is that it has 360 degrees of rotation with lockable settings for portrait or landscape placement. With the ability to hold up to 125lbs. this mount mates with both mobile and fixed cart and stand configurations. Easily raise or lower the RTM-S along dual poles by loosening two allen screws. The mounting arms on the RTM-S have upward tilt of 35 degrees and downward tilt of 10 degrees making it an ideal option for mounting flat panel displays on cart and stands. With all the mobility offered by the RTM-S it's no wonder it's a top choice product for the rental and staging industry.



## SPECIFICATIONS

COLOR	WEIGHT	WEIGHT CAPACITY/MOUNT	MOUNTING PATTERN
Black	26.4 lb.   11.97 kg	125 lb.   56.70 kg	200 x 200 (Min) , 540 x 360 (Max) mm

DEPTH	WARRANTY
11 .57 in.   293.88 mm	Lifetime

## PACKAGING

WIDTH x HEIGHT x DEPTH	CONTENTS
12 in. (wide) x 10 in. (high) x 25.8 in. (deep) 304.8 mm x 254 mm x 655.32 mm	Mount (x1), Universal Hardware Pack (x1), Instruction Manual (x1)

## ARCHITECTURAL DRAWING

