

COMPATIBLE WITH:

PRO-SERIES: P2642T, P4263T, P5080T, P4263TP, PTDM1, PTDM2

CTM SERIES: CTM-MS1, CTM-MS2, CTM-MS3

SYM SERIES: SYM-IB-XXX, SYM-UR-XXX

CEILING MOUNT: ECM-3763S, ECM-3763D, ECM-D70T

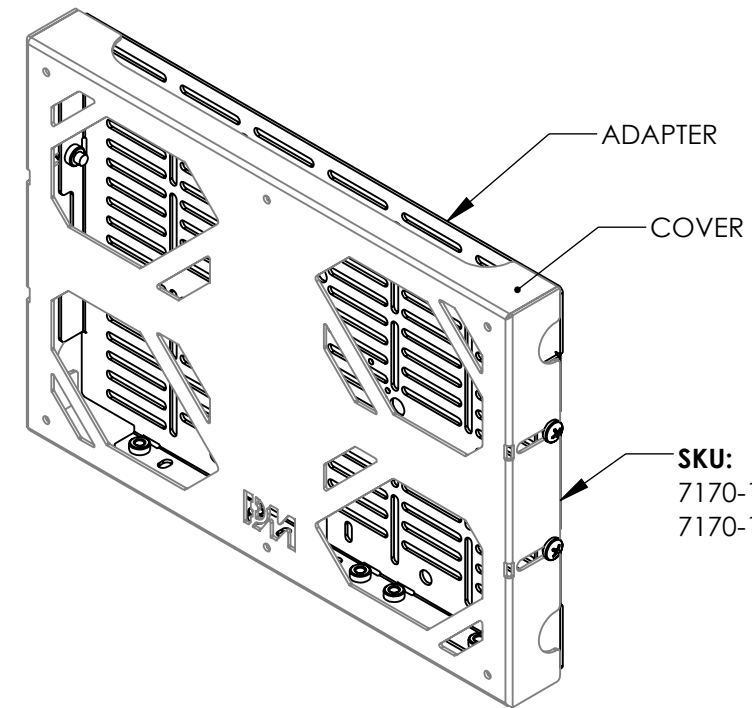
POLE MOUNT: VPM, PSD-HDCA, PSD-DPB

POPOUT SERIES: LMV

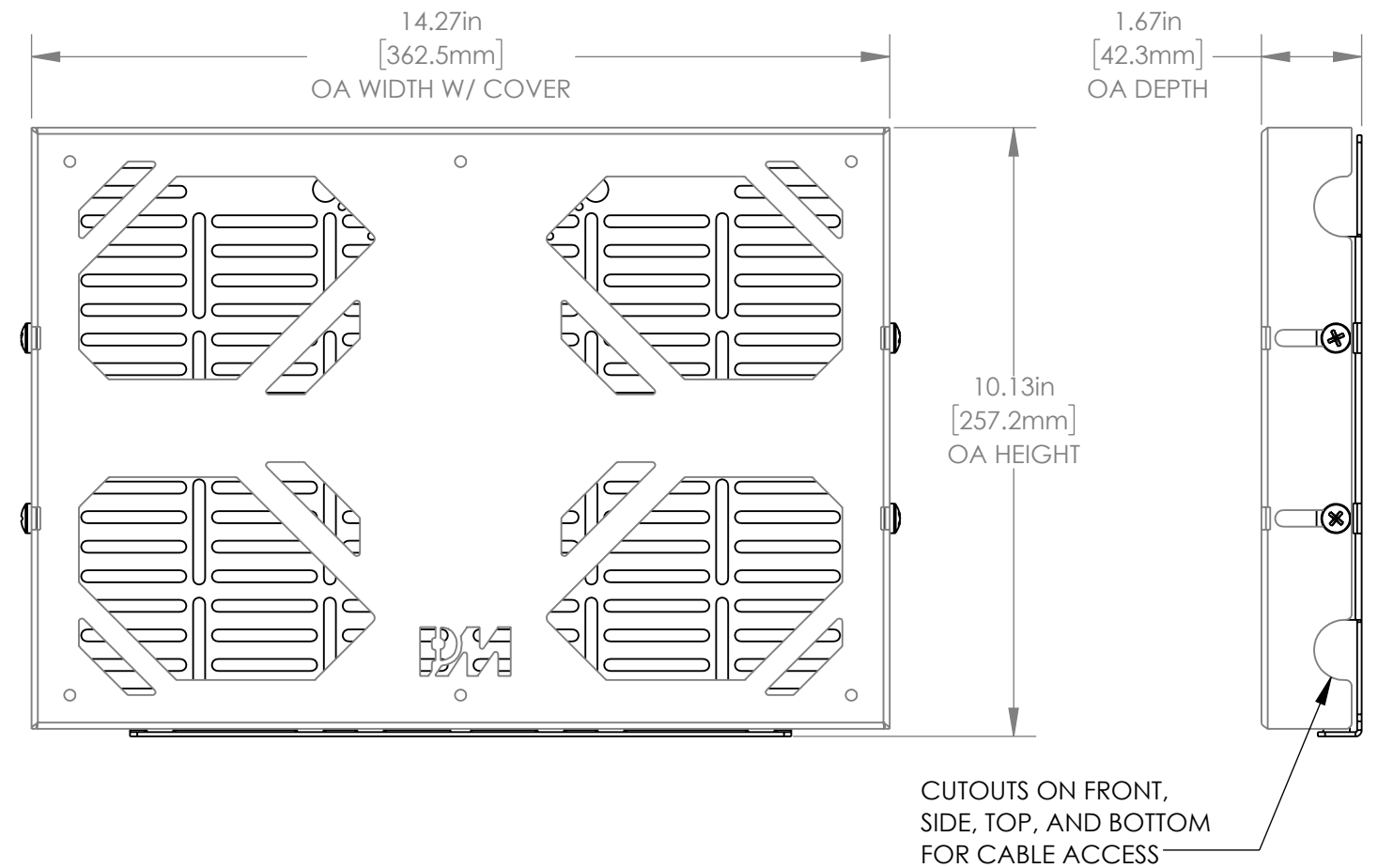
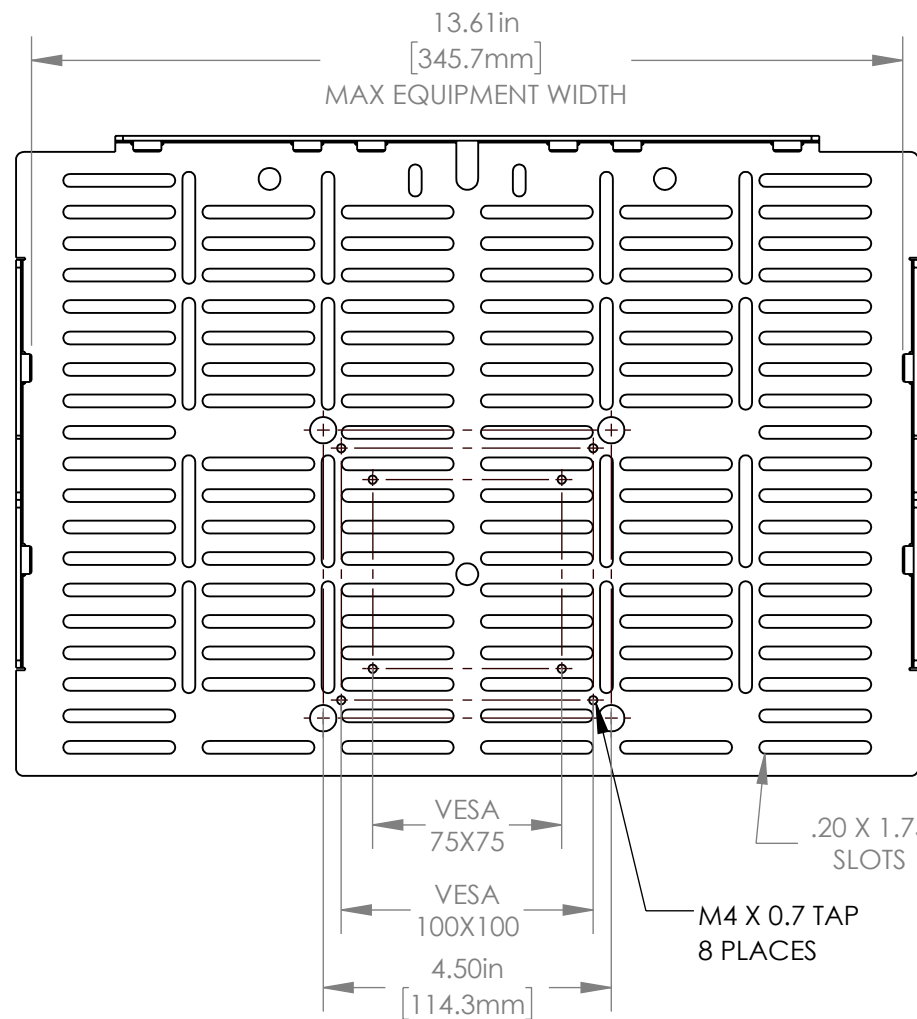
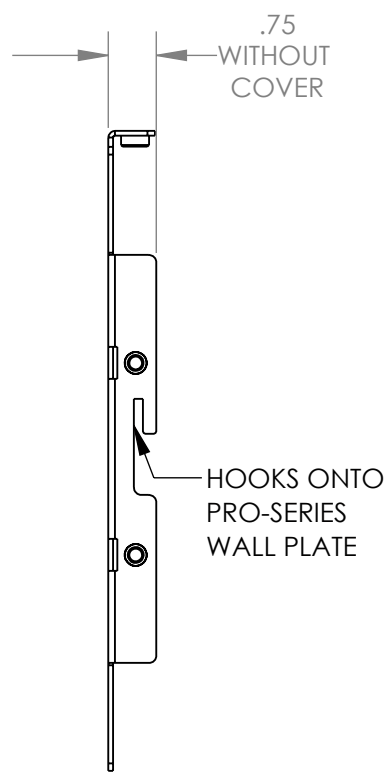
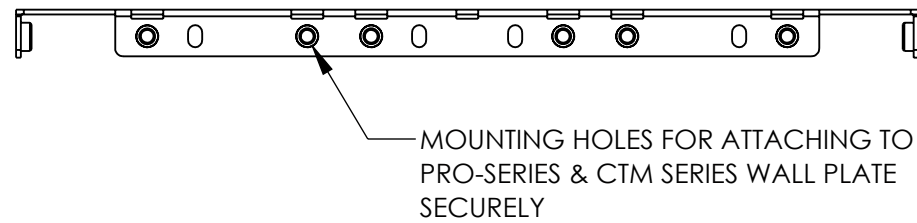
MOBILE CART: LFC-L, LFC-LB

WALL: MOUNTABLE VIA SLOTS WITH SUPPLIED DRYWALL ANCHORS

OTHERS: ZIRKONA JOINER,

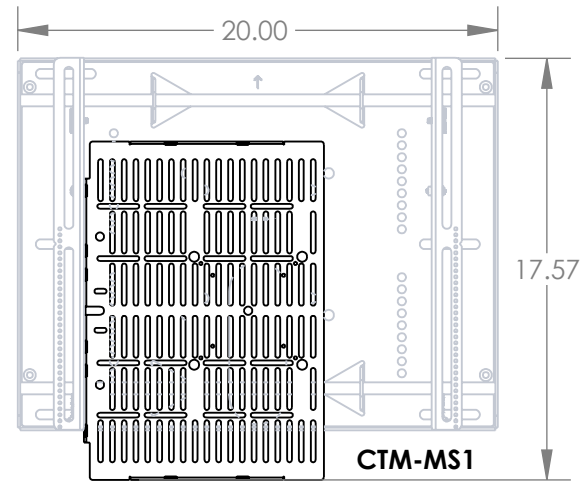


SKU:
7170-1009-00 (ADAPTER ONLY)
7170-1009-01 (ADAPTER & COVER)



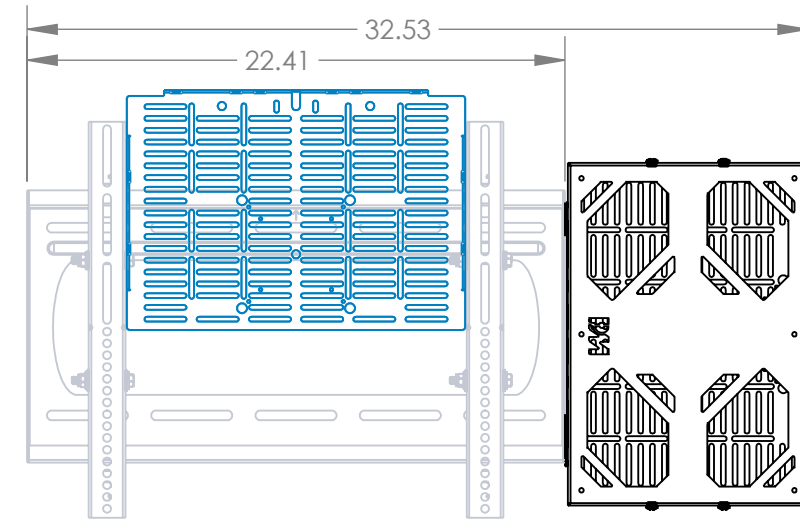
DESCRIPTION:			
UNIVERSAL MEDIA ADAPTER/ENCLOSURE			
PART NO. 7170-1009-00 / 7170-1009-01			
MAX. WEIGHT CAPACITY	DIMENSION ARE IN	SCALE:	SHEET
LB.	INCH AND [MM]	1:3	1 OF 1



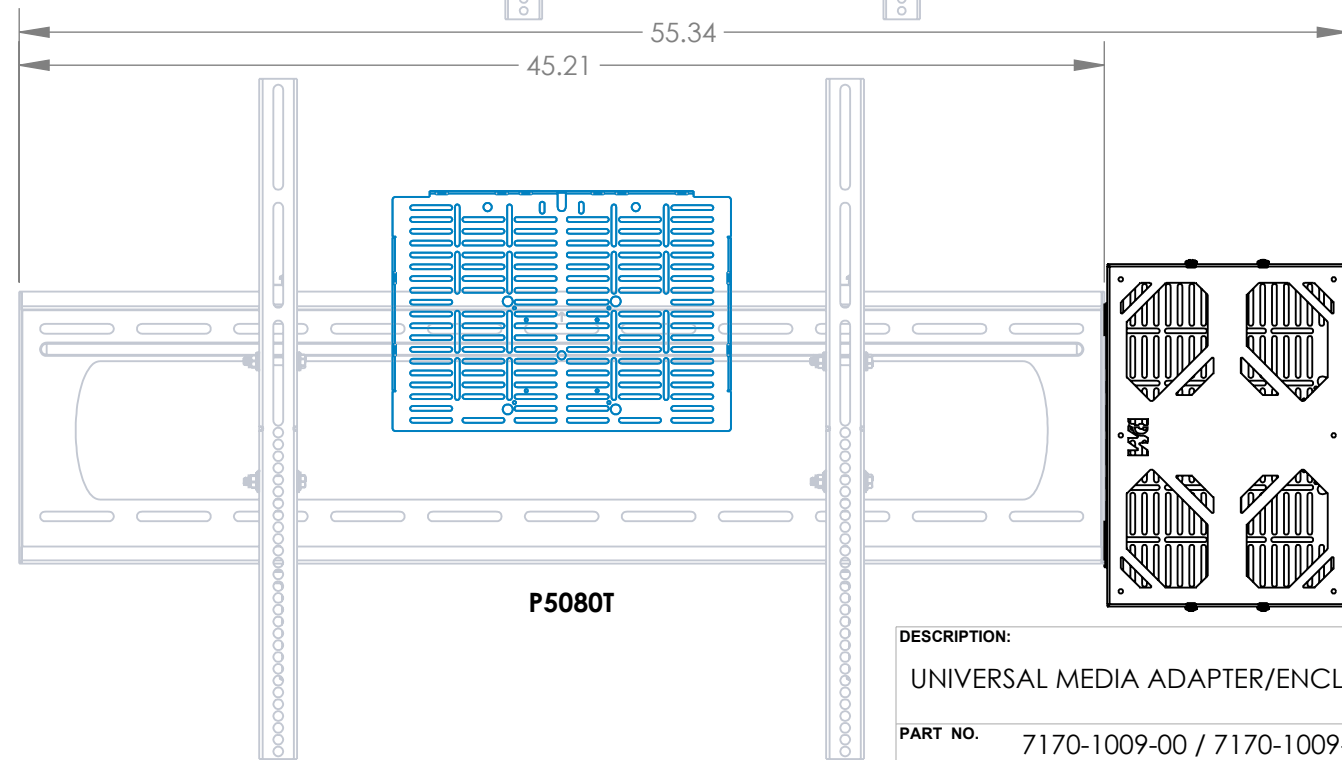
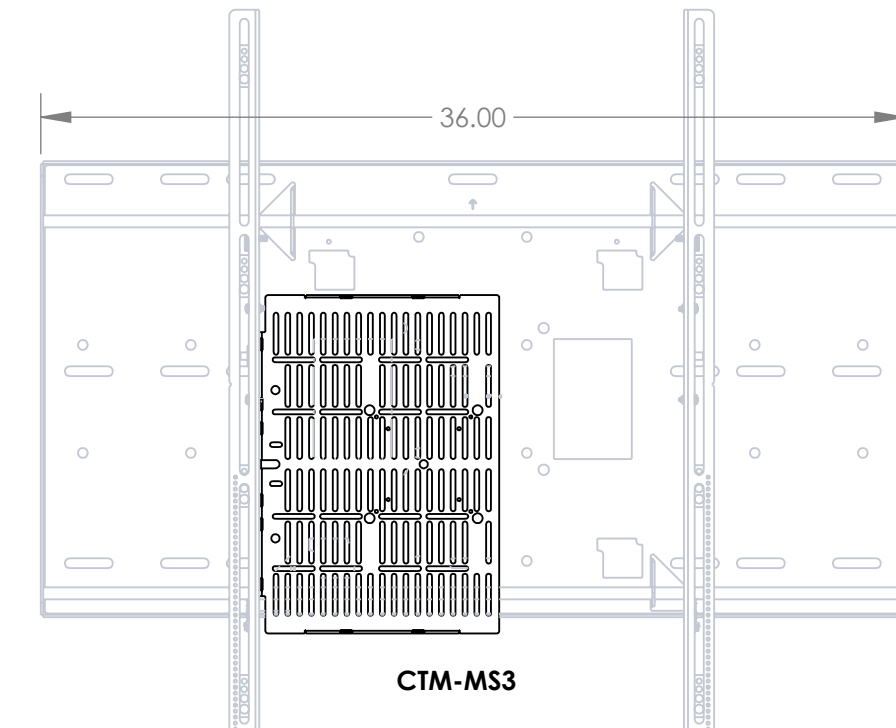
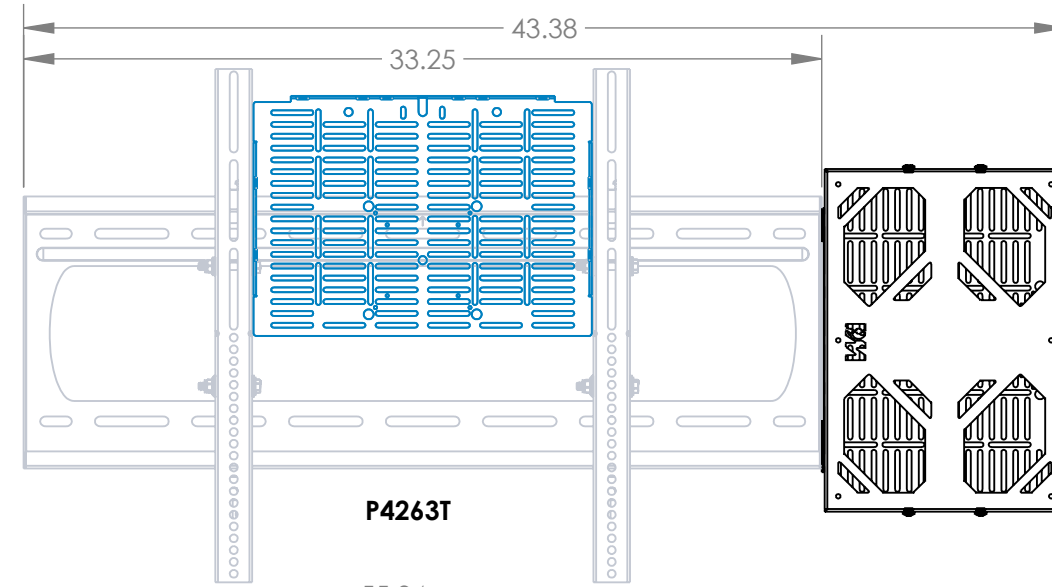
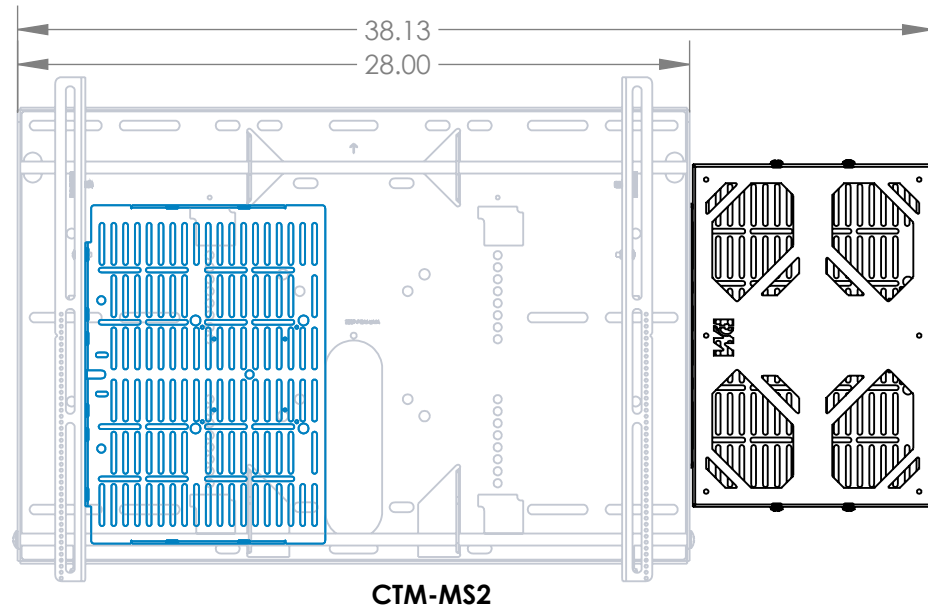


NOTES:

- MULTIPLE MOUNTING OPTIONS AND COVER OPTIONS SHOWN FOR VISUAL REFERENCE.
- UNIVERSAL MEDIA ENCLOSURE ADDS ADDITIONAL 10" TO THE OVERALL WIDTH OF THE MOUNT. SELECT A FLAT-PANEL DISPLAY WIDE ENOUGH COVER OVER THE MOUNT.

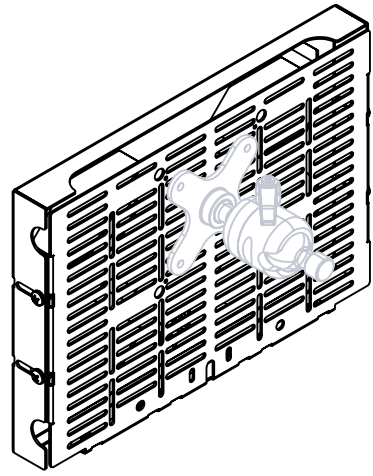


P2642T / P4263TP
MOUNTING BRACKET MAY VARY BY MODEL. P2642T SHOWN FOR VISUAL REFERENCE

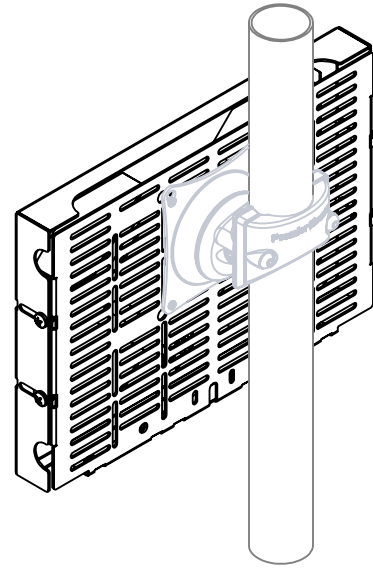


DESCRIPTION:			
UNIVERSAL MEDIA ADAPTER/ENCLOSURE			
PART NO. 7170-1009-00 / 7170-1009-01			
MAX. WEIGHT CAPACITY	DIMENSION ARE IN	SCALE:	SHEET
LB.	INCH AND [MM]	1:8	1 OF 1

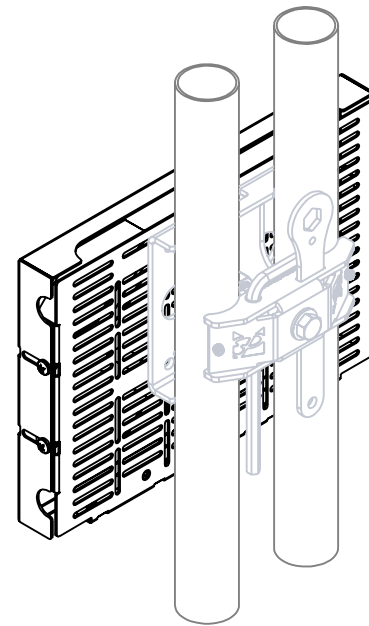




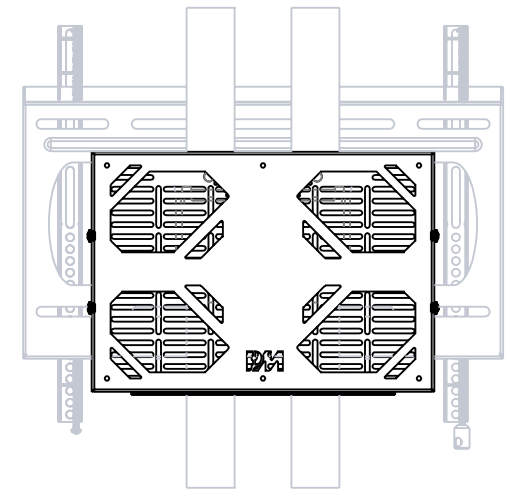
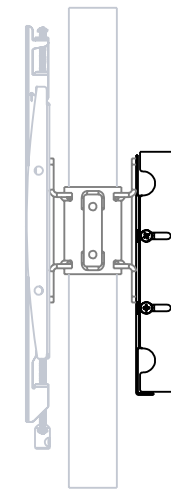
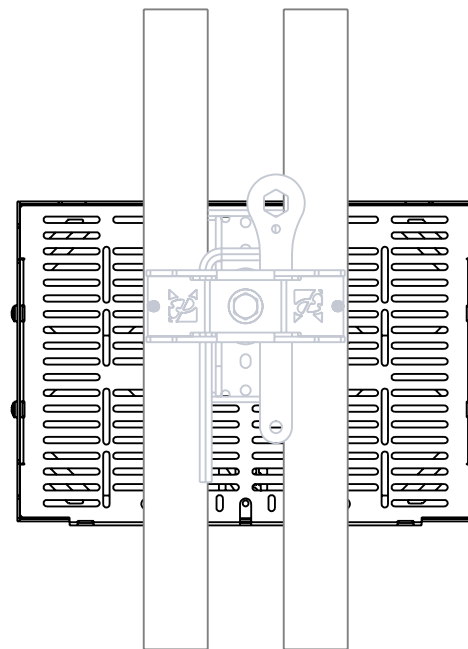
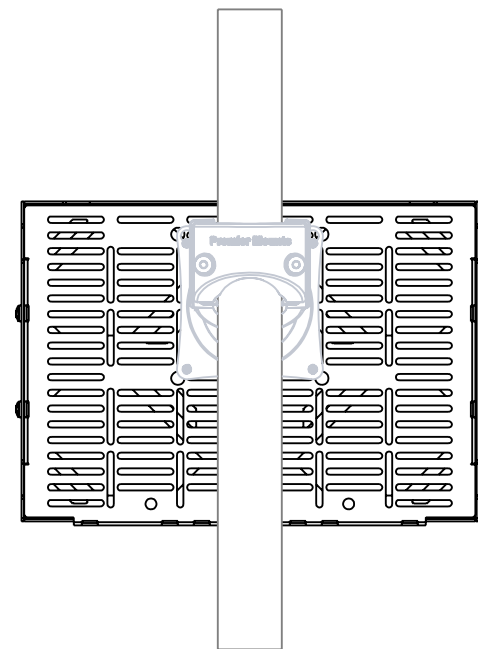
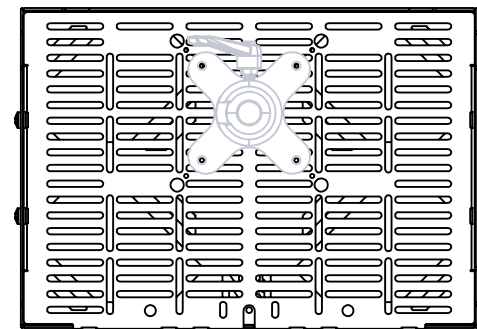
ZIRKONA JOINER



VPM



PSD-HDCA



PSD-DPB

BACK-TO-BACK, ALLOWING (2) MEDIA ADAPTER OR A MOUNT WITH 4.5" BOLT PATTERN (PTM1, PTM2, AND CTM-MS1, CTM-MS2, CTM-MS3) WITH (1) MEDIA ADAPTER. SHOWN USING PTM2.

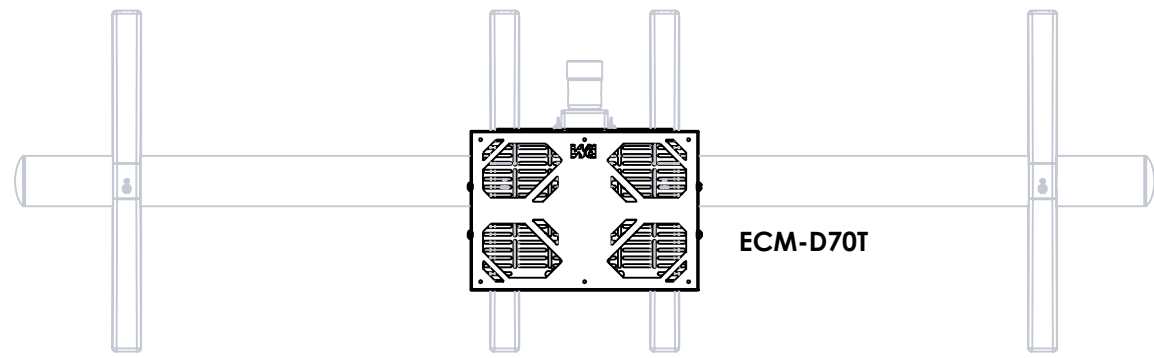
DESCRIPTION:

UNIVERSAL MEDIA ADAPTER/ENCLOSURE

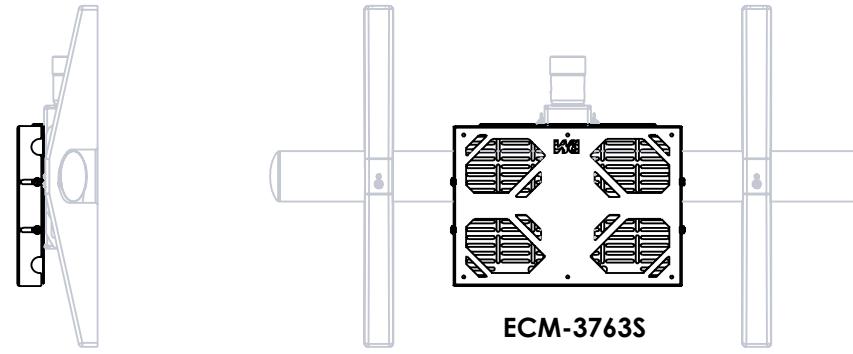
PART NO. 7170-1009-00 / 7170-1009-01

MAX. WEIGHT CAPACITY LB.	DIMENSION ARE IN INCH AND [MM]	SCALE: 1:6	SHEET 1 OF 1
-----------------------------	-----------------------------------	---------------	-----------------

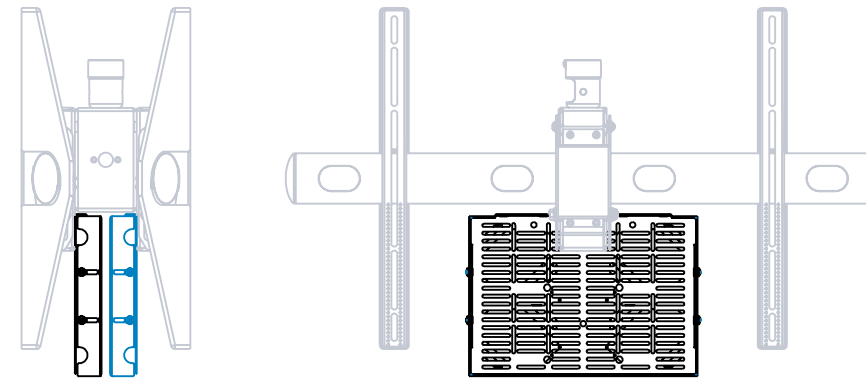




ECM-D70T

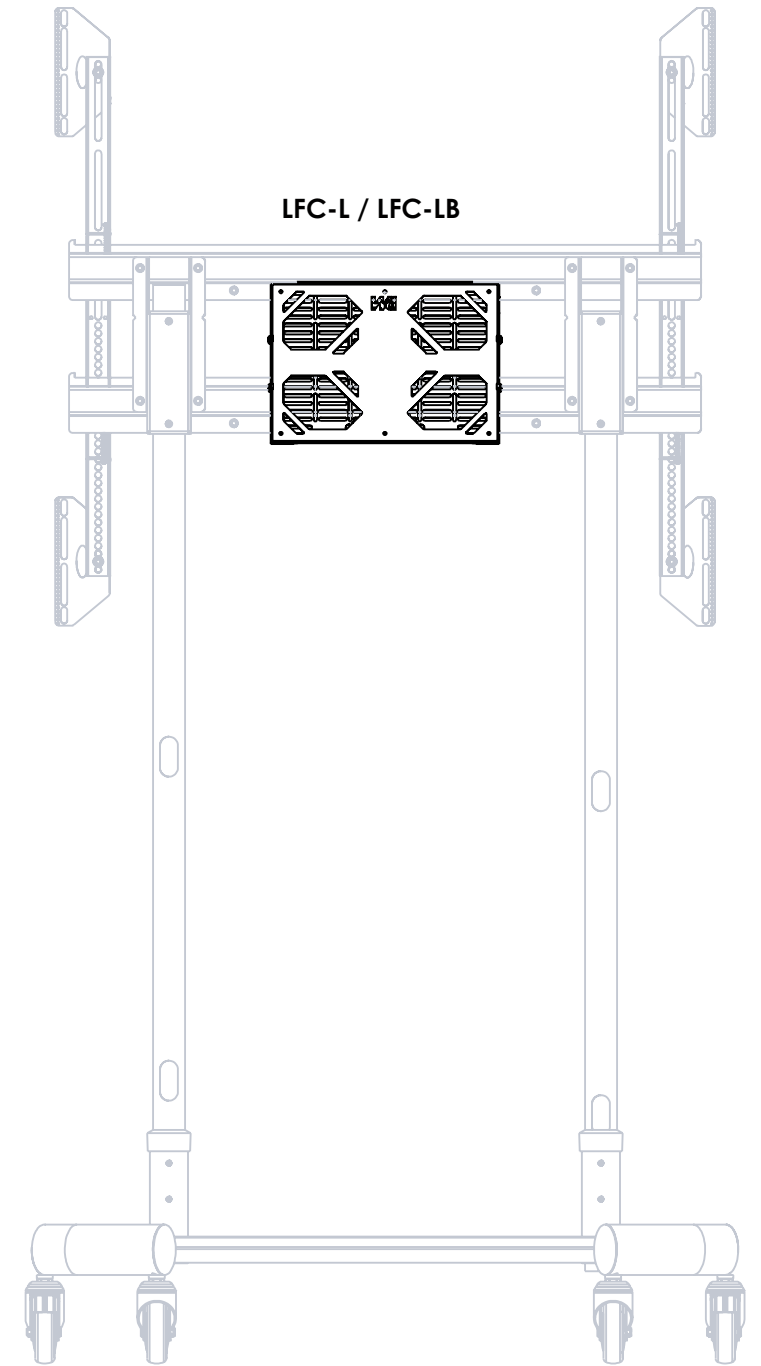


ECM-3763S

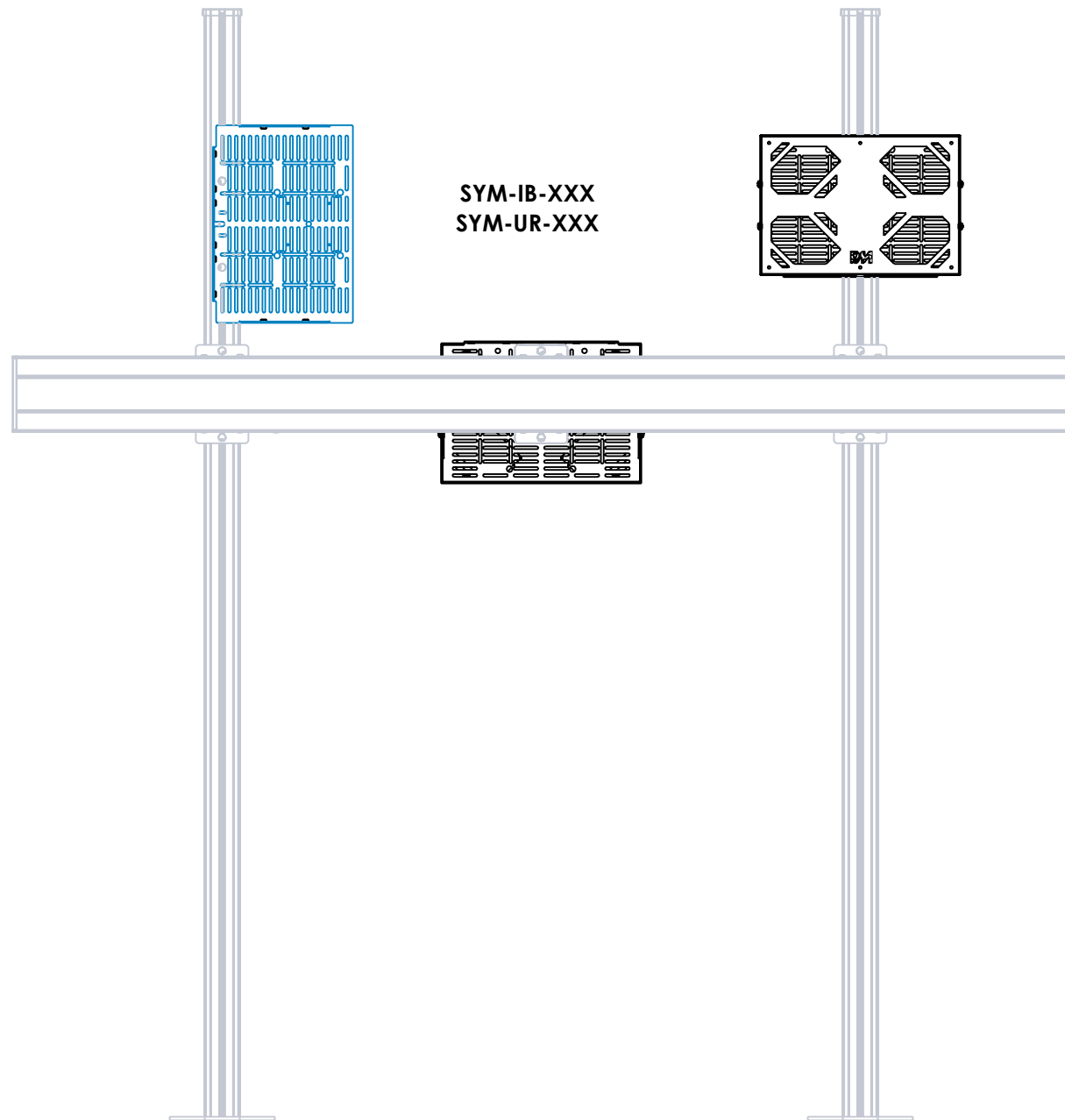


ECM-3763D

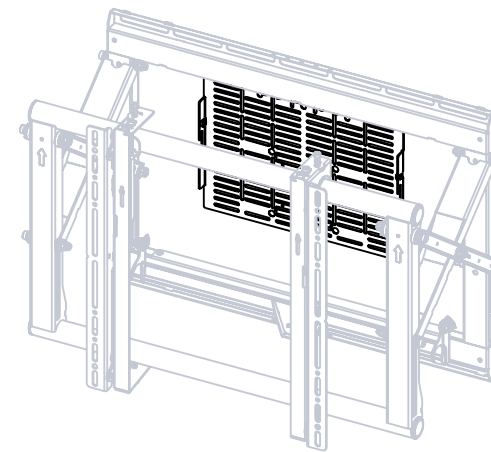
SHOWN WITH TWO (OPTIONAL)
UNIVERSAL MEDIA ENCLOSURE



LFC-L / LFC-LB



SYM-IB-XXX
SYM-UR-XXX



LMV

DESCRIPTION:

UNIVERSAL MEDIA ADAPTER/ENCLOSURE

PART NO. 7170-1009-00 / 7170-1009-01

MAX. WEIGHT CAPACITY LB.	DIMENSION ARE IN INCH AND [MM]	SCALE: 1:12	SHEET 1 OF 1
-----------------------------	-----------------------------------	----------------	-----------------

