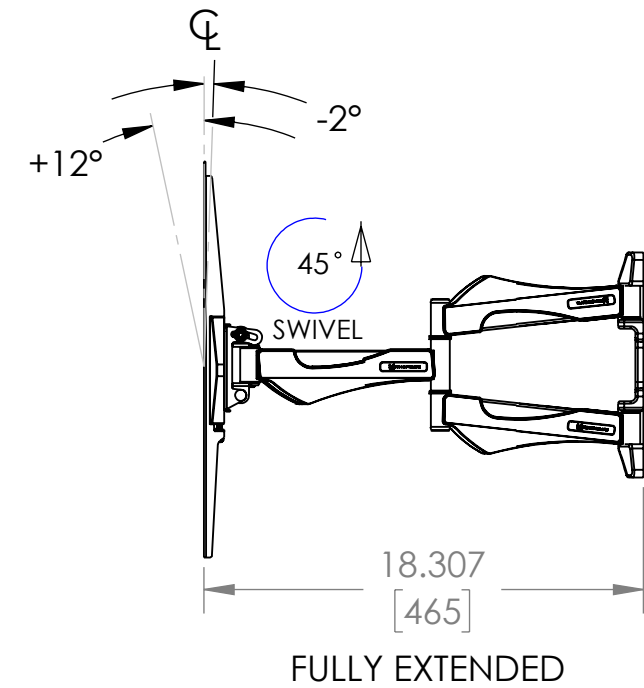
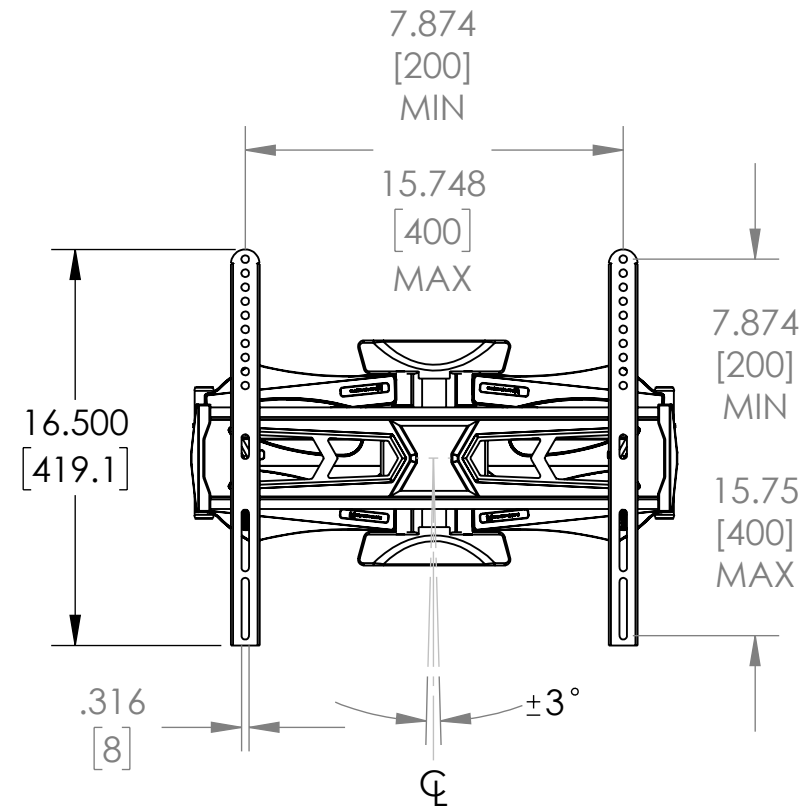


COLLAPSED



FULLY EXTENDED

DESCRIPTION:			
LOW-PROFILE ULTRA SLIM SWINGOUT ARM			
PART NO. AM65			
MAX. WEIGHT CAPACITY	DIMENSION ARE IN	SCALE:	SHEET
65.0 LB.	INCH AND [MM]	1:8	1 OF 1

