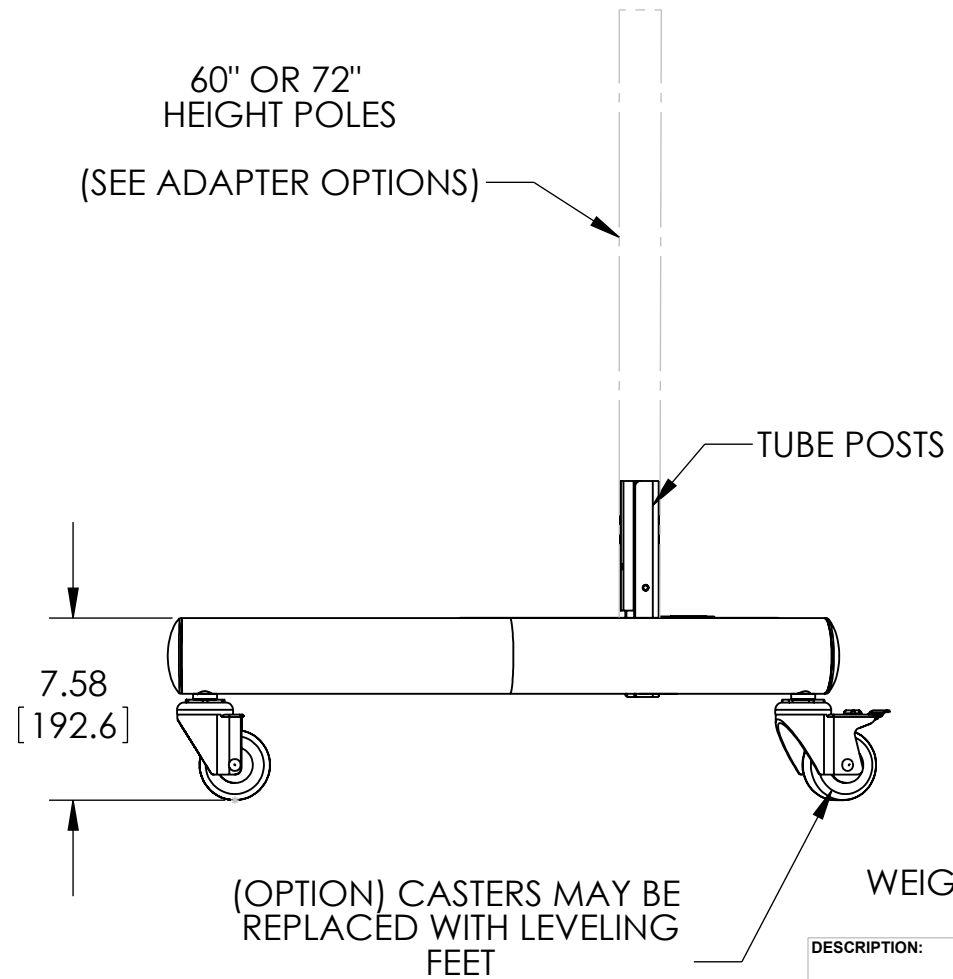
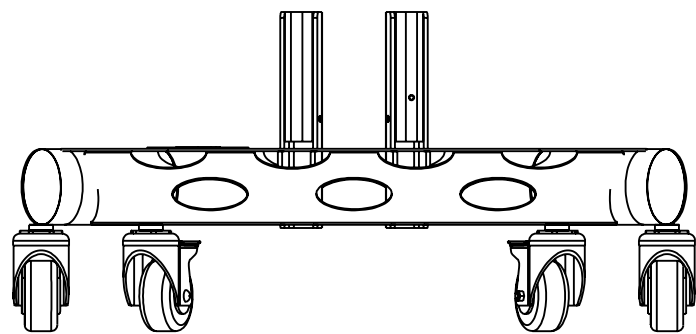


60" OR 72"
HEIGHT POLES
(SEE ADAPTER OPTIONS)



WEIGHT CAPACITY: 160 LBS

DESCRIPTION:			
MOBILE NESTING CART			
PART NO. BW-BASE			
MAX. WEIGHT CAPACITY LB.	DIMENSION ARE IN INCH AND [MM]	SCALE: 1:8	SHEET 1 OF 1

