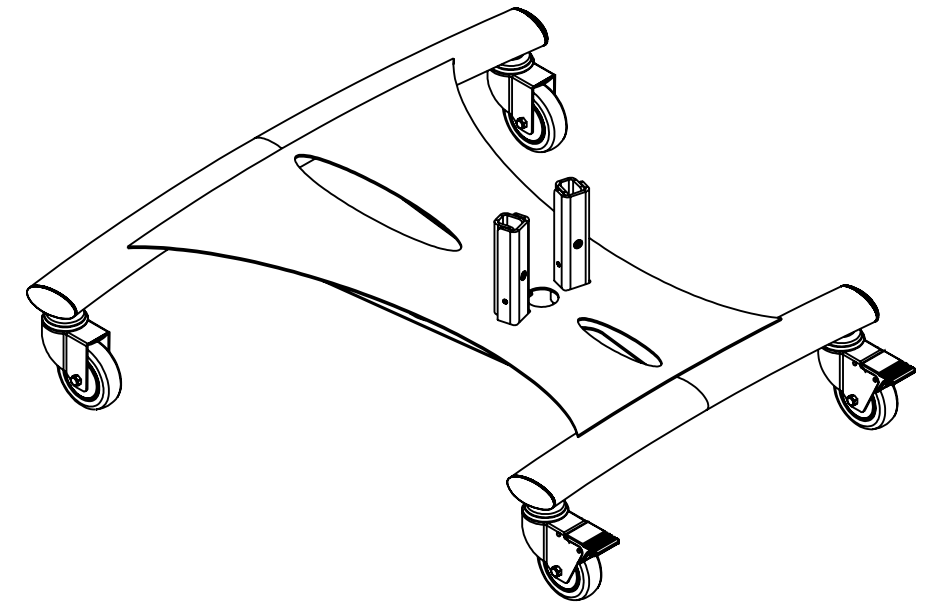
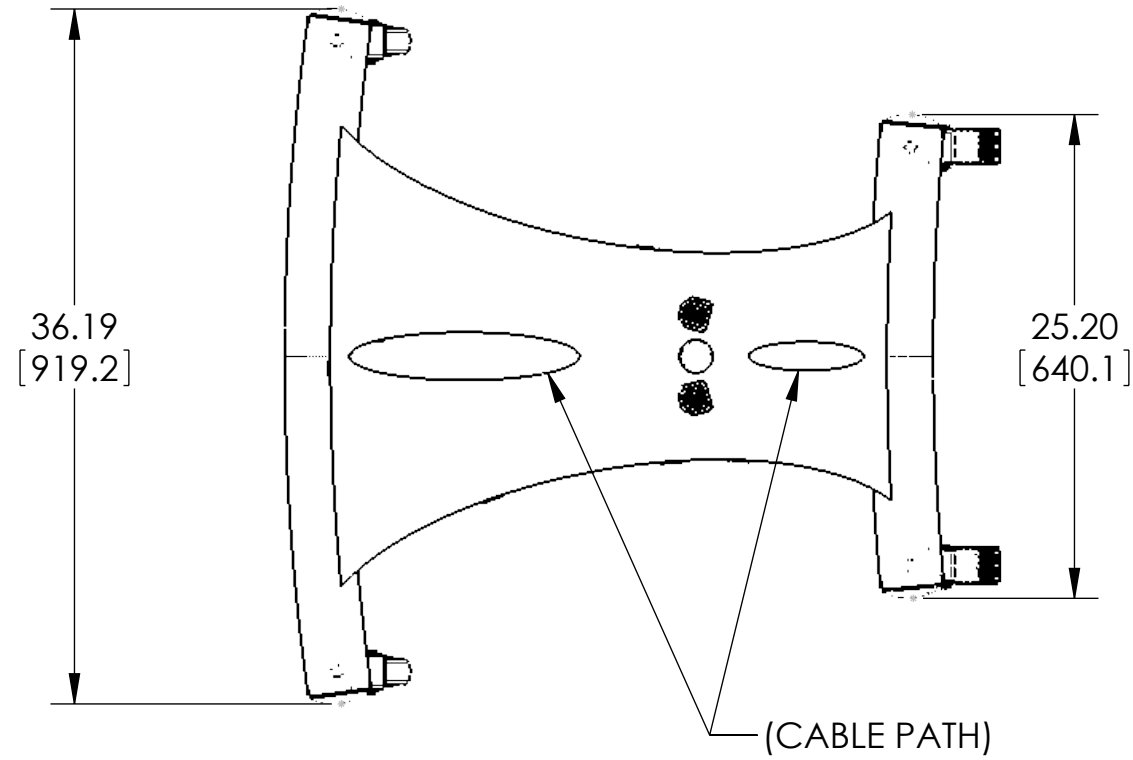
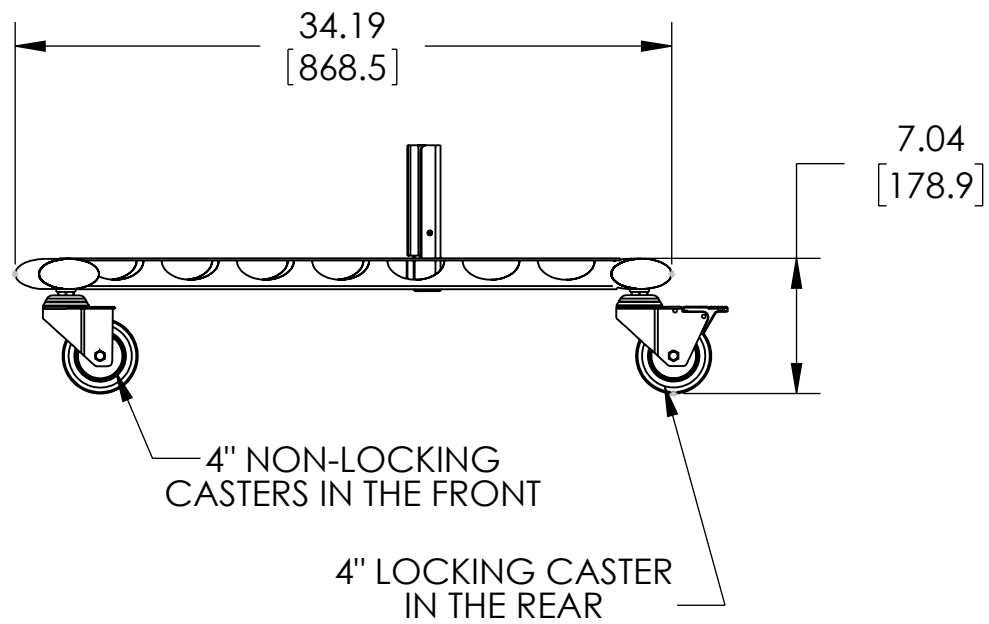
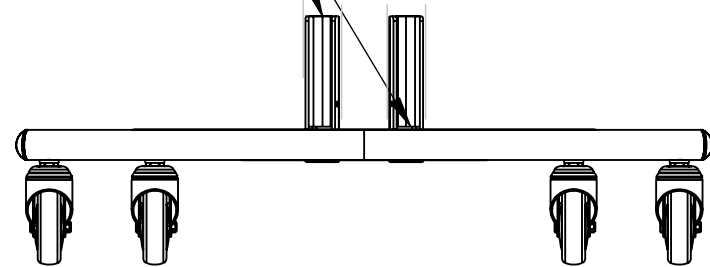


60"-72"-84"  
HEIGHT POLES  
(SEE ADAPTER OPTIONS)



TUBE POSTS



WEIGHT CAPACITY: 200 LBS

DESCRIPTION: ELLIPTICAL FLOOR STAND BASE			
PART NO. EB-BASE			
MAX. WEIGHT CAPACITY LB.	DIMENSION ARE IN INCH AND [MM]	SCALE: 1:10	SHEET 1 OF 1

