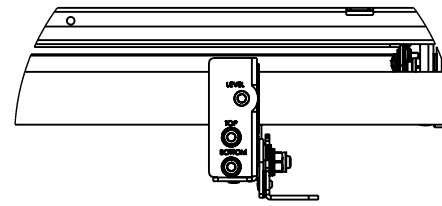
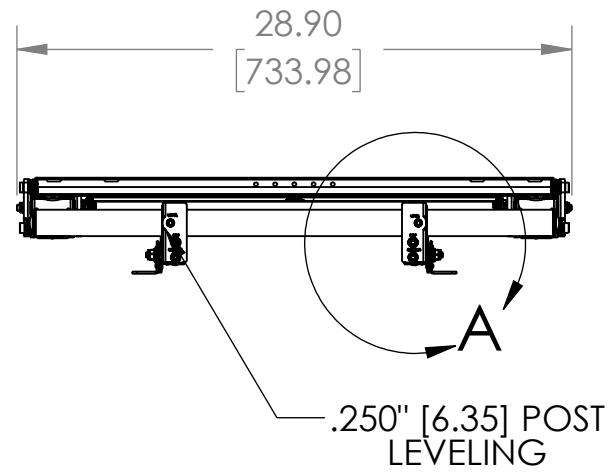
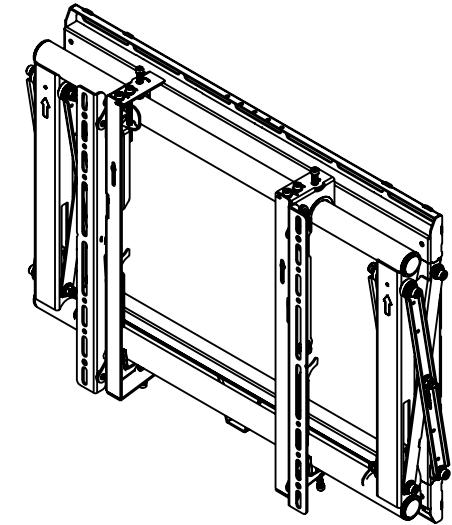


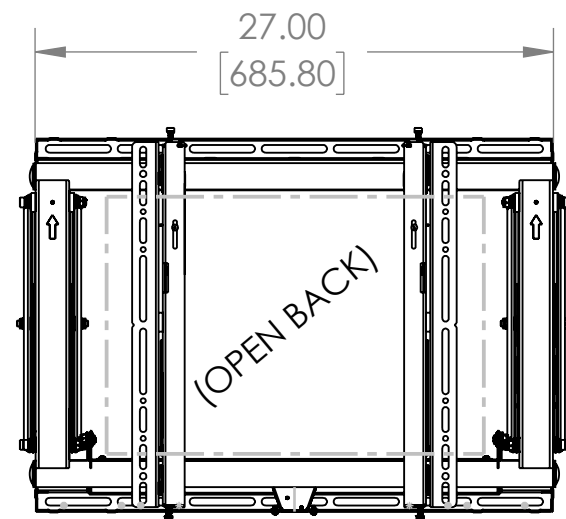
CENTRALIZED ADJUSTMENTS
ALIGN THE DISPLAY ON THE X, Y AND Z PLANE. LOCATED ON TOP OF THE MOUNTING BRACKETS



DETAIL A
SCALE 1 : 5

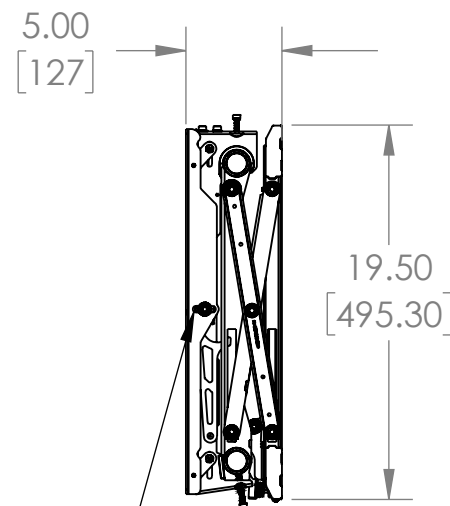


VESA PATTERN
(200X200 MIN - 600 X 400 MAX)

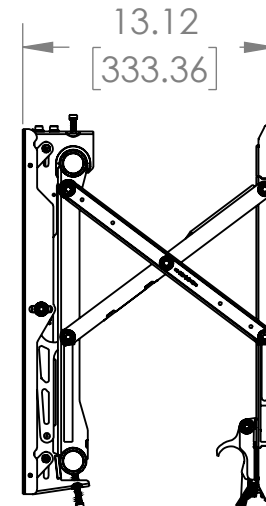


IN/OUT ADJUSTMENT ±.375"

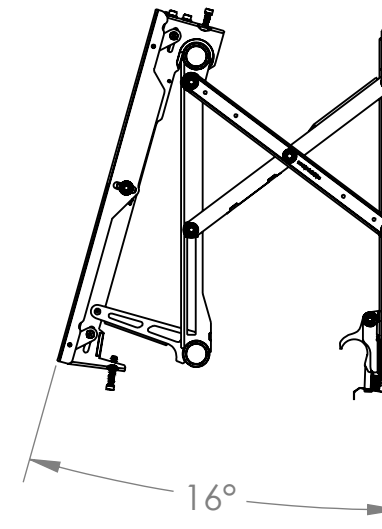
(FULLY COLLAPSED)



(FULLY EXTENDED)



(SERVICE POSITION)



(SINGLE SPRING LOADED LATCH)

