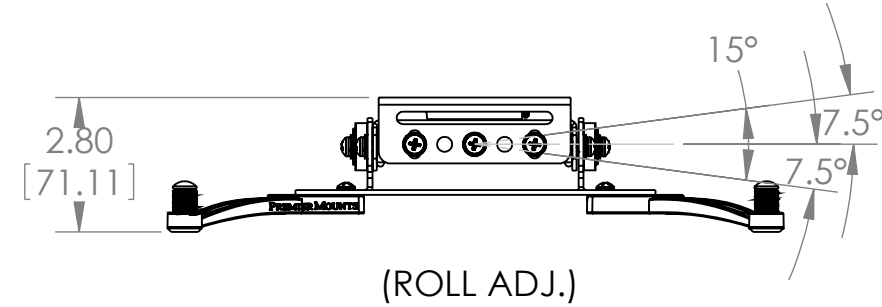
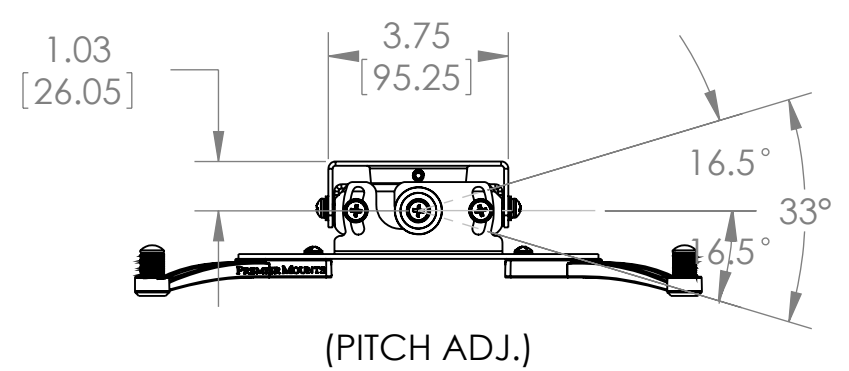


(YAW 360° ON 1.5" NPT PIPE)



(ROLL ADJ.)



(PITCH ADJ.)

WEIGHT CAPACITY: 75 LBS

DESCRIPTION:			
PDS-PLUS PROJECTOR MOUNT			
PART NO. PDS-PLUS			
MAX. WEIGHT CAPACITY	DIMENSION ARE IN	SCALE:	SHEET
75.0 LB.	INCH AND [MM]	1:4	1 OF 1

