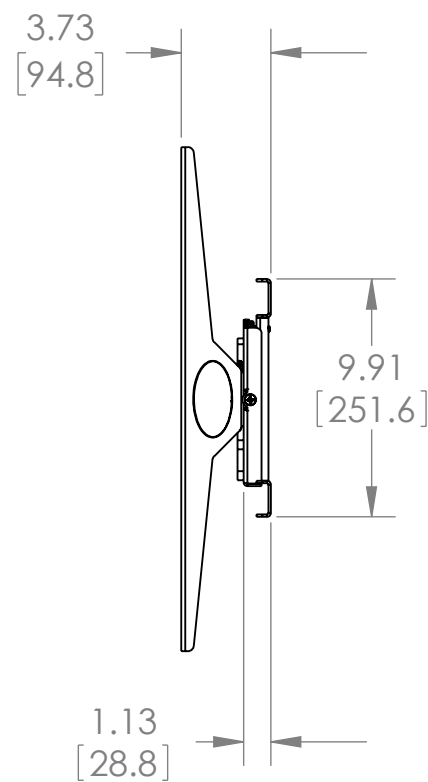
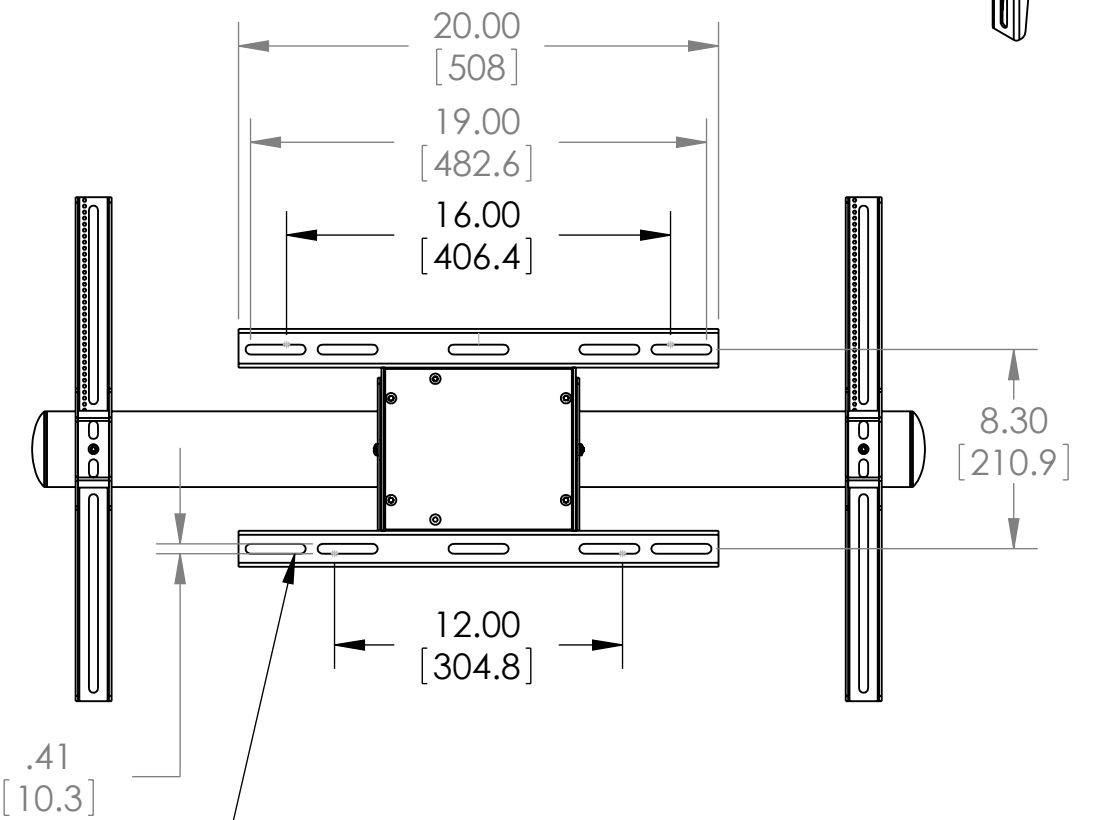


ROTATES 90° LANDSCAPE TO PORTRAIT, CLOCKWISE OR COUNTER-CLOCKWISE (REVERSIBLE)



BACK PLATE LATERAL SHIFT ADJ.



| | | | |
|--|-----------------------------------|---------------|-----------------|
| DESCRIPTION: ROTATING MOUNT FOR FLAT PANELS | | | |
| PART NO. RFM | | | |
| MAX. WEIGHT CAPACITY 170.0 LB. | DIMENSION ARE IN INCH AND [MM] | SCALE: 1:8 | SHEET 1 OF 1 |

