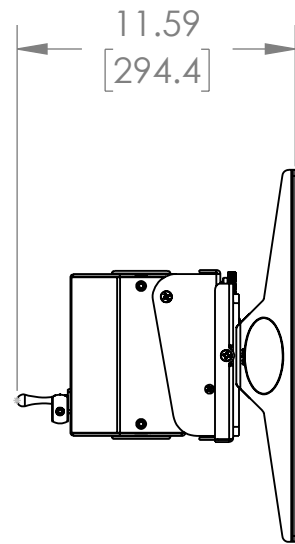
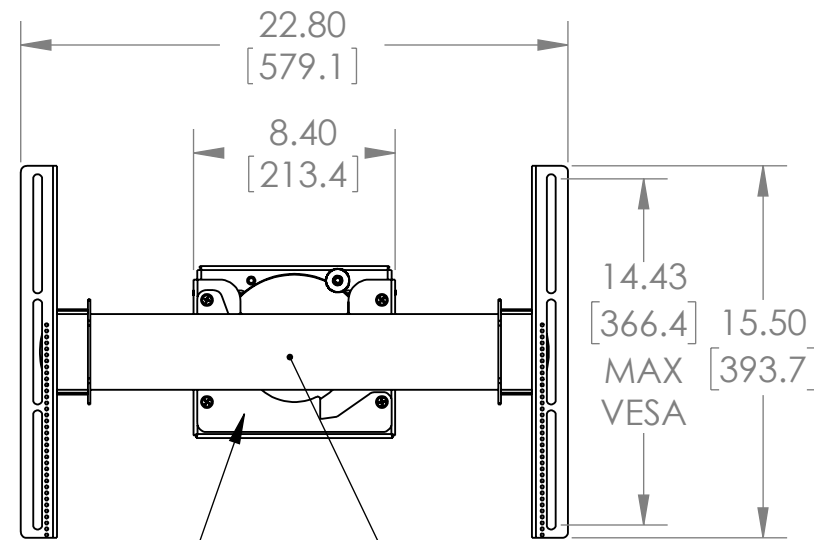


MAX DOWNWARD
TILT

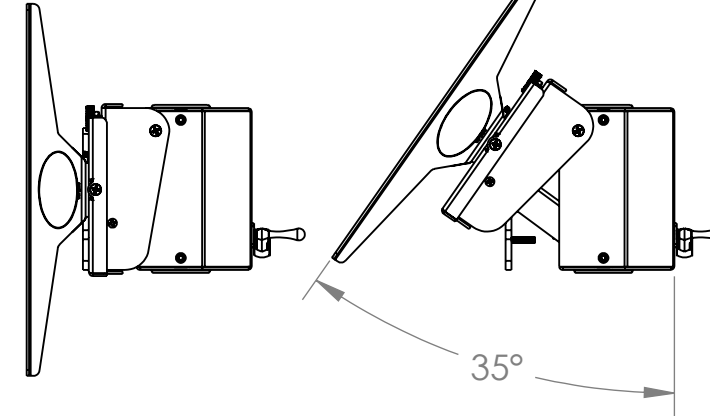


FLAT POSITION

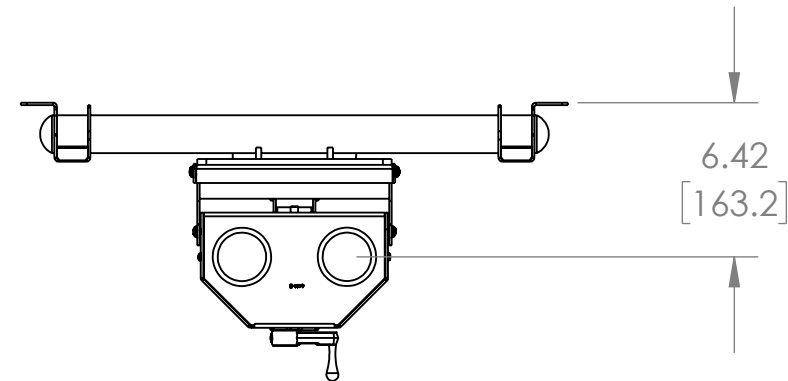
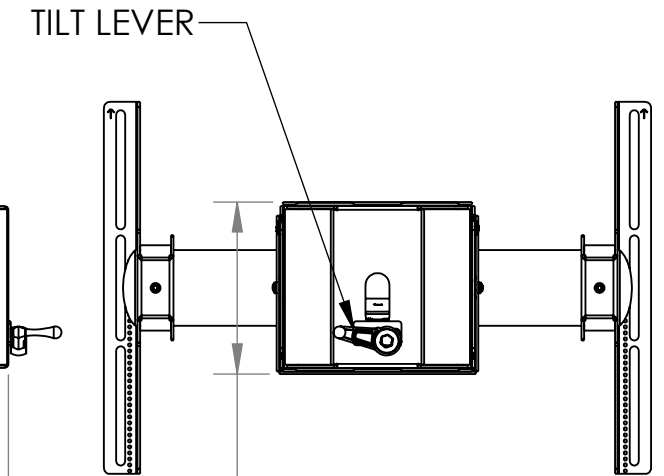


360° ROTATION

DIRECTIONAL
STOPPER



MAX UPWARD
TILT



DESCRIPTION:			
ROTATING ARM FOR FLAT PANELS			
PART NO.		RTM-S	
MAX. WEIGHT CAPACITY	DIMENSION ARE IN	SCALE:	SHEET
125.0 LB.	INCH AND [MM]	1:8	1 OF 1

