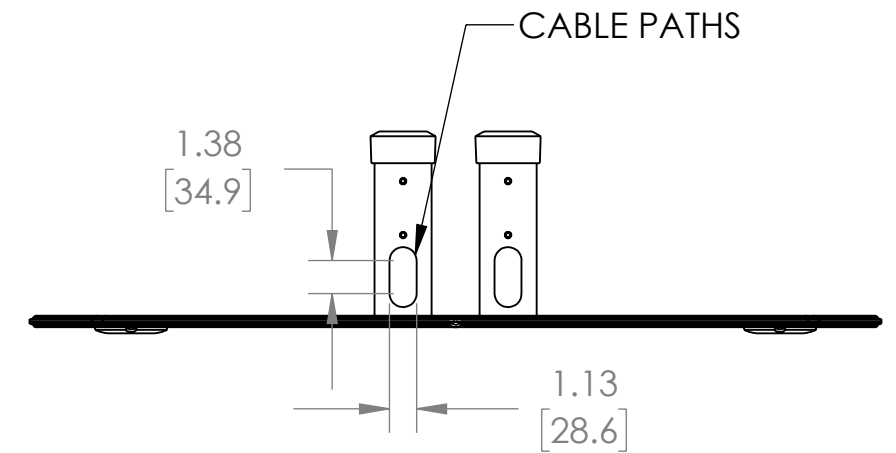
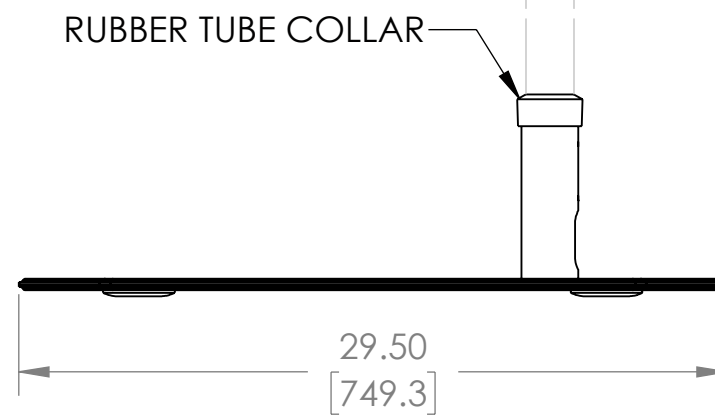
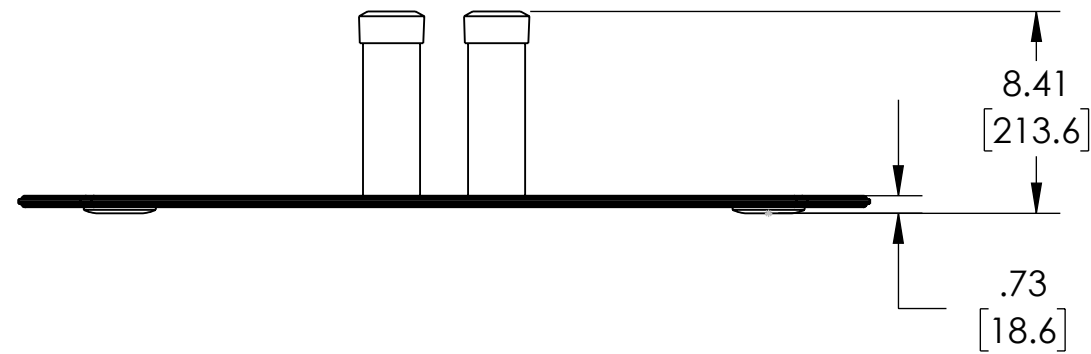
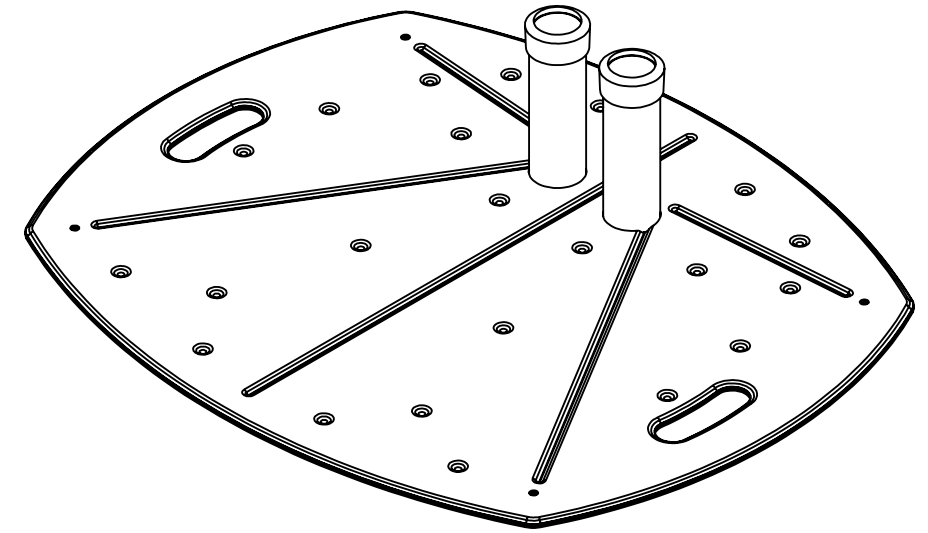


60"-72"-84"
HEIGHT POLES
(SEE ADAPTER OPTIONS)

Ø .375
[9.5]
FLOOR BOLT
THRU HOLES



WEIGHT CAPACITY: 160 LBS
DIMENSIONS ARE IN INCHES AND [MM]

DESCRIPTION: LIGHTWEIGHT DUAL POLE MOUNT FLOOR STAND			
PART NO. TL-BASE			
MAX. WEIGHT CAPACITY LB.	DIMENSION ARE IN INCH AND [MM]	SCALE: 1:8	SHEET 1 OF 1

