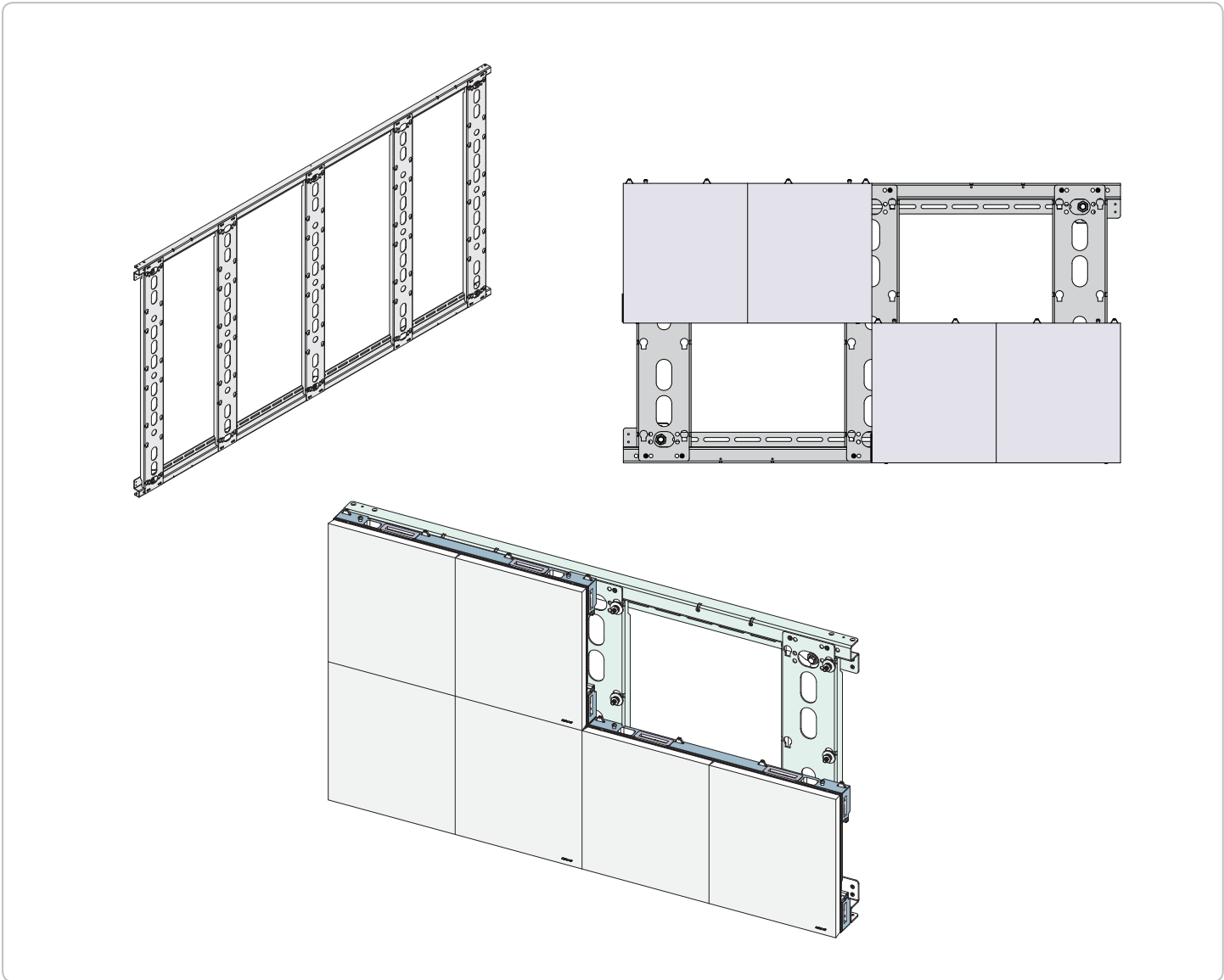


SERIES: A27 INSTALLATION GUIDE

Convergent Series Video Wall Mount For Absen Acclaim A27 LED Cabinets

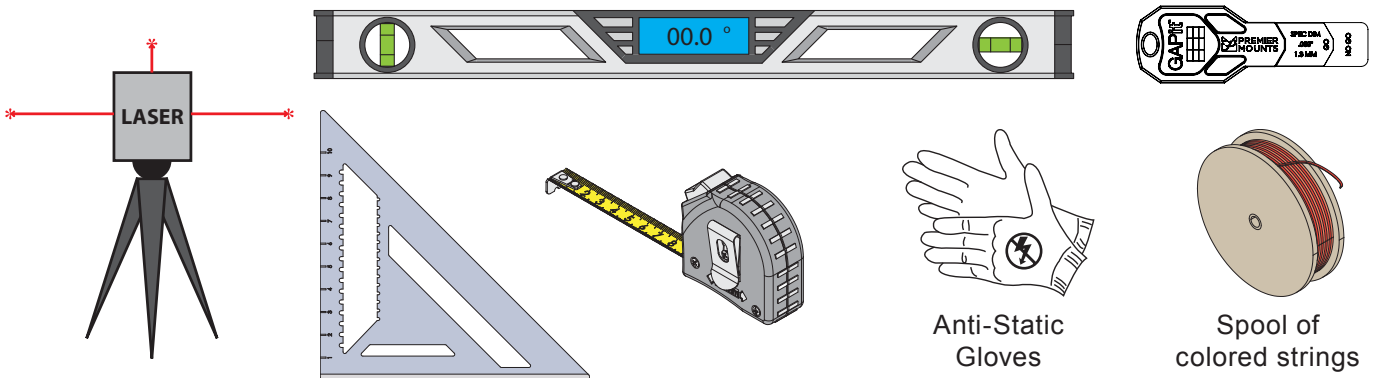


ABSEN A27

CAUTION STATEMENTS

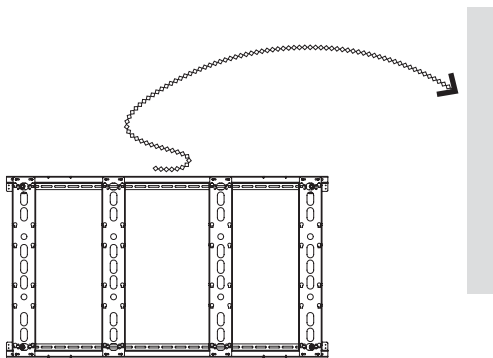
1. READ ALL STEPS WITHIN THIS MANUAL BEFORE INSTALLING THE MOUNT. **ABSEN ACCLAIM A27 LED SERIES INSTALLATION GUIDE** MUST BE READ IN CONJUNCTION FOR SUCCESSFUL INSTALLATION. ANY QUESTIONS? CALL PREMIER MOUNTS.
2. INSTALLATION MUST MEETS THE REQUIREMENTS APPROVED BY THE STRUCTURAL ENGINEER.
3. FRAME MUST BE PLUMBED, SQUARED, LEVELED, X, Y, AND Z ALIGNED PRIOR TO INSTALLATION OF ANY DISPLAYS.
4. ALL LED CABINETS MUST BE **POWER ON TESTED** PRIOR TO ANY INSTALLATION.
5. PREMIER MOUNTS RECOMMENDS THE HANDLING LED CABINETS BY AN INDUSTRY QUALIFIED PROFESSIONAL.
6. PREMIER MOUNTS IS NOT RESPONSIBLE FOR DEFECTS, MISUSE, OR IMPROPER HANDLING OF THE LED CABINETS.

Tools for Installation:



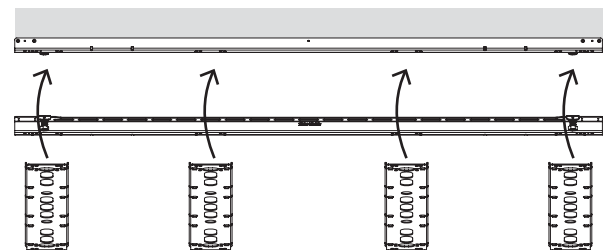
METHOD 1

Assemble the mount before installing into place (for single unit or small array).



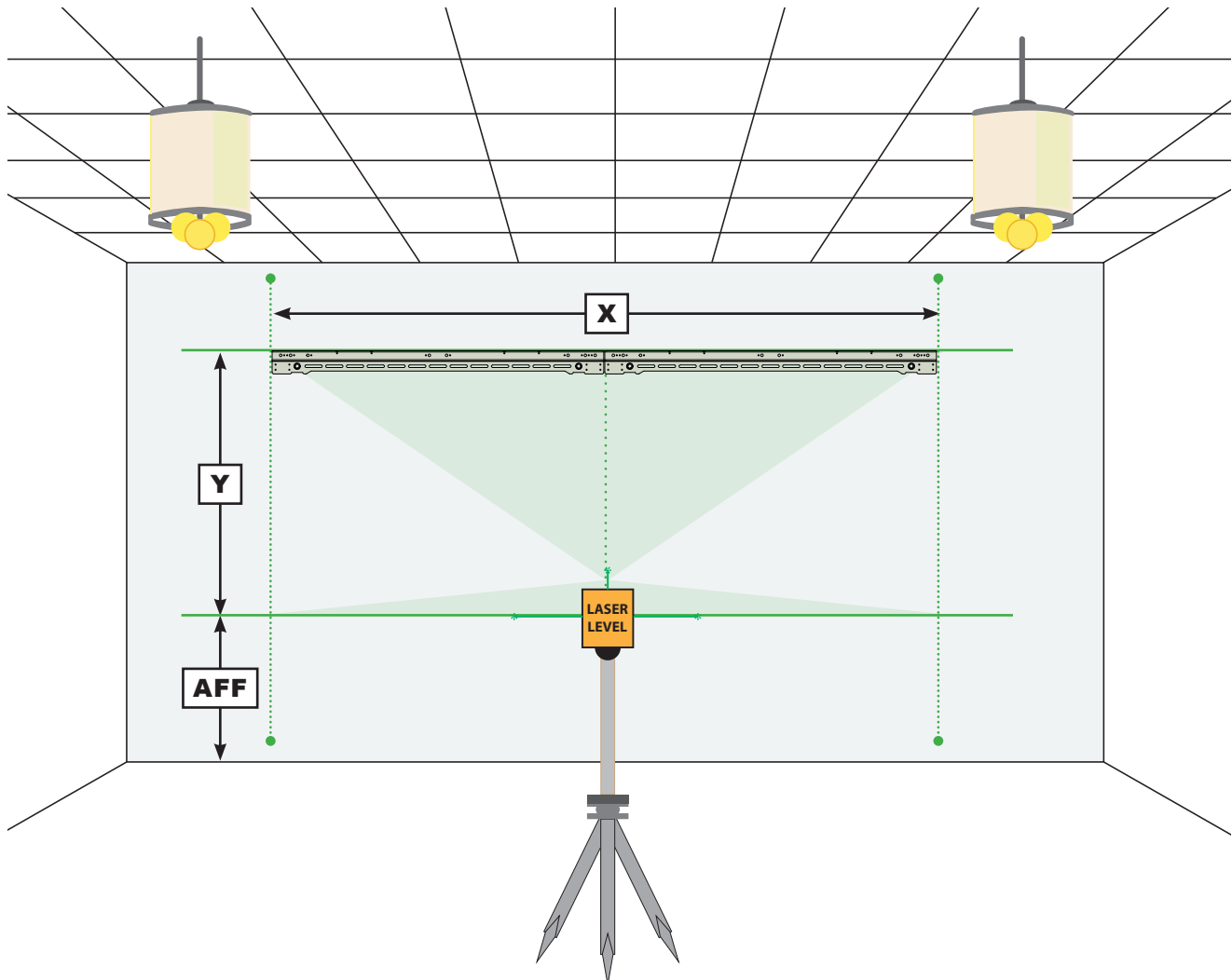
METHOD 2

Install piece by piece on a located wall (for multiple or large video wall array).



ABSEN A27

VIDEO WALL DIMENSIONS AND MOUNTING LOCATIONS



	Available Sizes	Imperial (Inches)	Metric (Millimeters)
X	2 Wide	48.01	1219.5
	3 Wide	72.01	1829.1
	4 Wide	96.03	2439.2
Y	1 High	N/A	N/A
	2 High	27.00	685.8
	3 High	40.50	1028.7
	4 High	54.01	1371.9
	5 High	67.51	1714.8
	6 High	81.01	2057.7

The overall dimensions of any video wall array can be calculated by using the table within this page.

The desired array size is a **combination** of available sizes. Add the available sizes together to find the overall width or height of a given array.

For modular configuration, any combination of the rails does not affect the overall dimension of the mount.

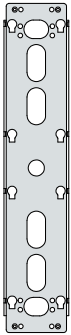
For example: 4X4 array would be 96.03" x 54.01" but larger array i.e., 8X8 would consist of four sets of the 4X4 mounts for an overall of 192.06" x 108.02".



ABSEN A27

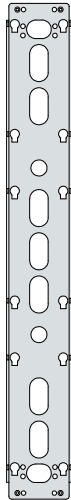
ITEM #.	PART NO.	DESCRIPTION
1	4000-306-112-LX	Horizontal Rail 2H
2	4000-306-113-LX	Horizontal Rail 3H
3	4000-306-114-LX	Horizontal Rail 4H
4	4000-306-122-LX	Vertical Rail 2V
5	4000-306-123-LX	Vertical Rail 3V
6	4000-306-124-LX	Vertical Rail 4V
7	4000-306-125-LX	Vertical Rail 5V
8	4000-306-126-LX	Vertical Rail 6V

2 HIGH



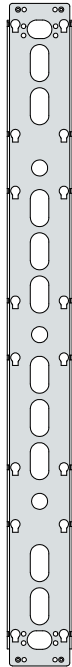
4

3 HIGH



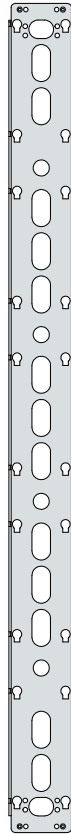
5

4 HIGH



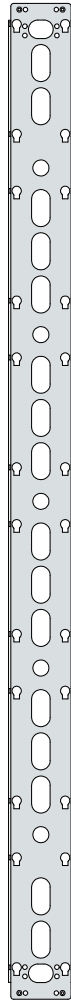
6

5 HIGH



7

6 HIGH



8

AVAILABLE SIZES



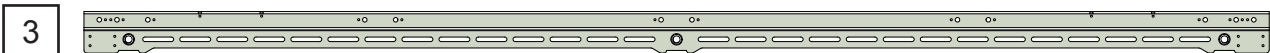
1

2 WIDE



2

3 WIDE



3

4 WIDE

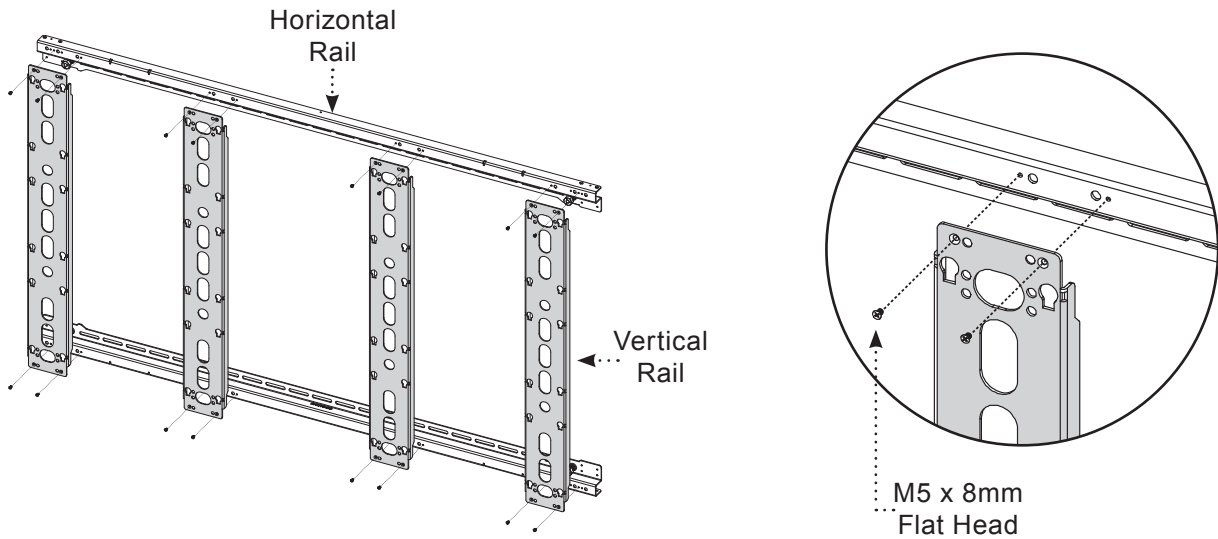


ABSEN A27

METHOD 1

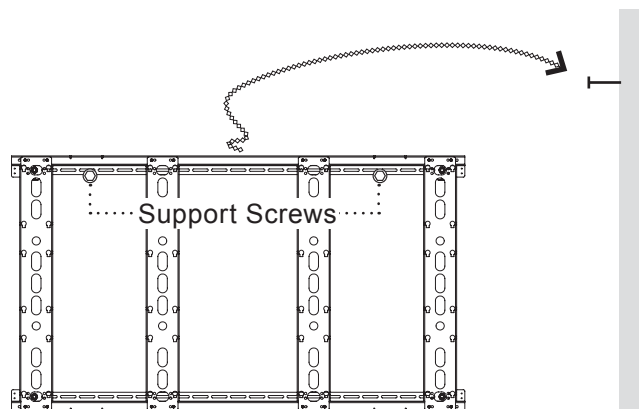
1

Install the Vertical and Horizontal Rails together using (4) M5x 8mm Flat Head Screw per.



2

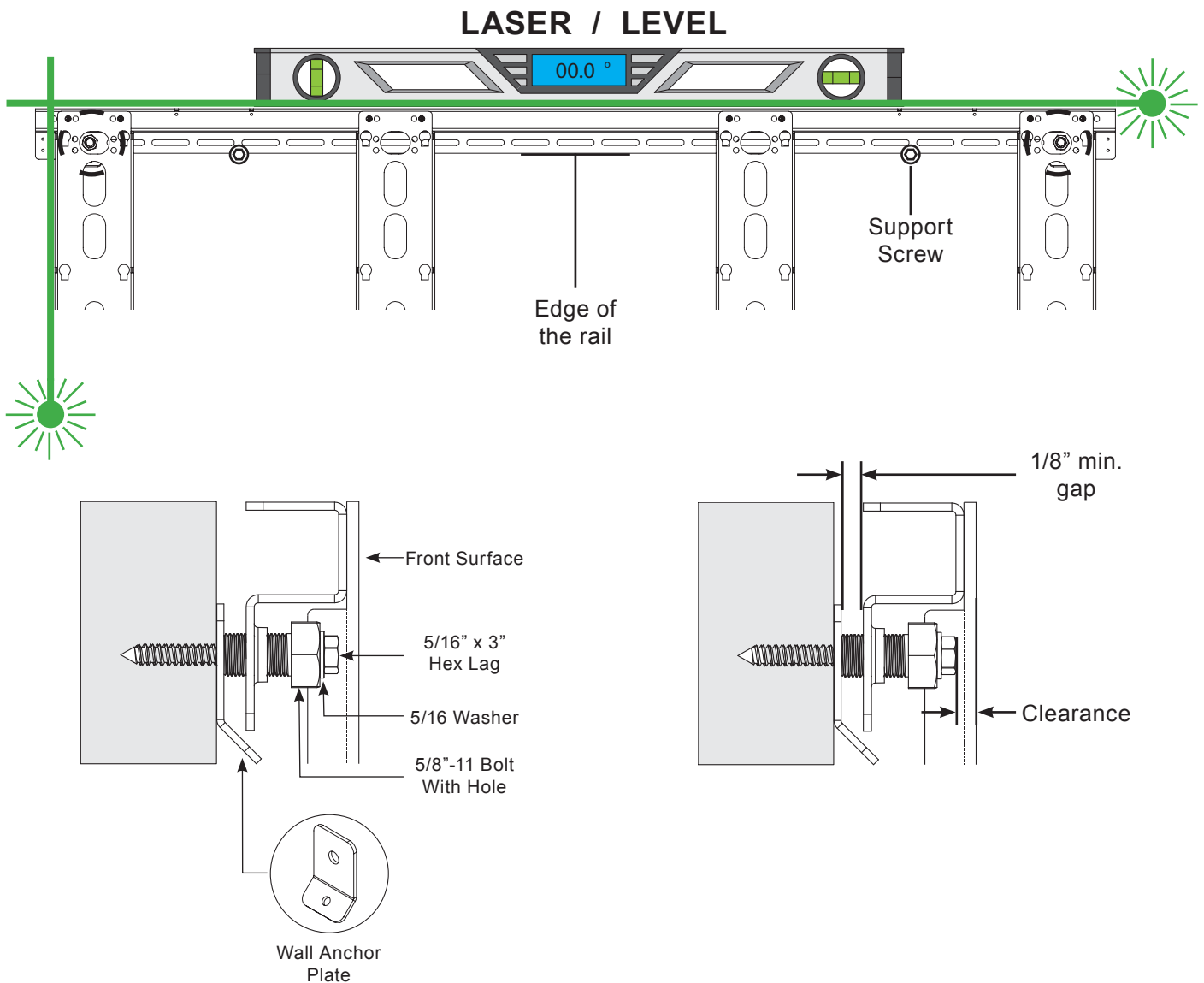
1. Determine the desired location by calculating the height of the pre-mounting hang location using the table on page 3.
2. Use any commercially available hardware to temporary hang the mount.



ABSEN A27

3

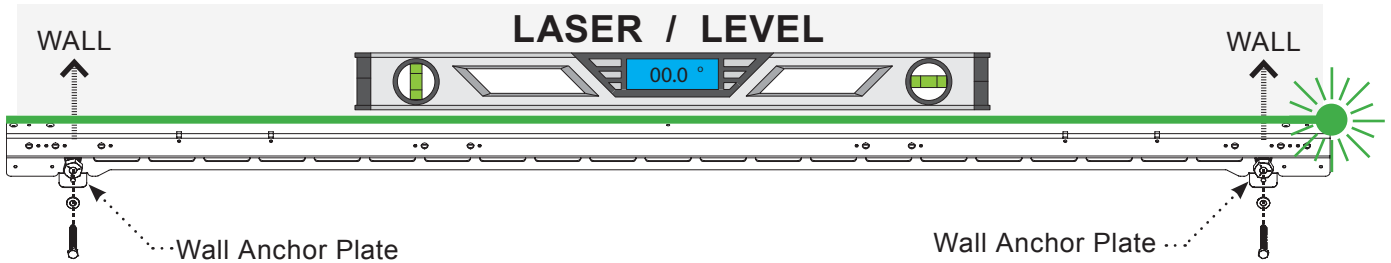
1. Place a level on top of the mount and reinstall or adjust the support screws if necessary.
2. Secure the first mounting location by sliding a Wall Anchor Plate behind the mount and fasten using 5/16" x 3" Hex Lag and 5/16" Washer.
3. Maintain a 1/8" minimum gap from the anchor plate and the rail when anchoring.
4. Install the remaining mounting locations while keeping the mount leveled.



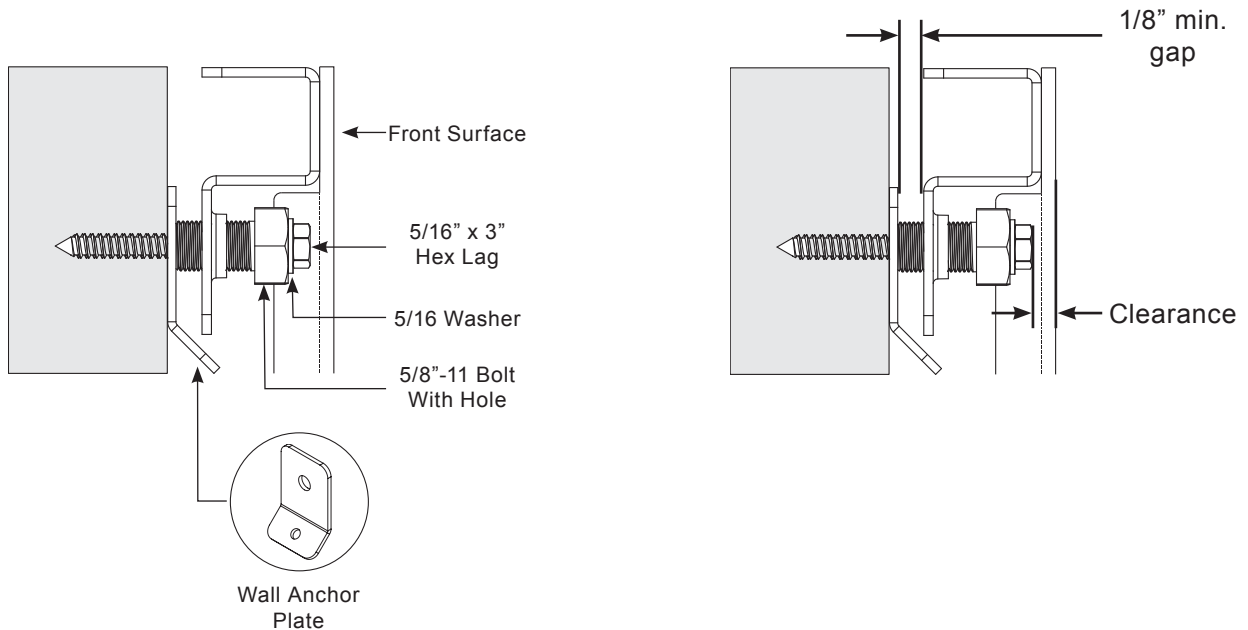
ABSEN A27

METHOD 2

1



1. Install (2) 5/16"-11 Bolt with Hole onto the threaded extrusion.
2. Hang the first Horizontal Rail on the wall.
3. Secure the first mounting location by sliding a Wall Anchor Plate behind the mount and fasten using 5/16" x 3" Hex Lag and 5/16" Washer.
4. Maintain a 1/8" minimum gap from the anchor plate and the rail when anchoring.
5. Level, Square, Plumb.
6. Install the remaining lag bolts, washers, and wall anchor plate.

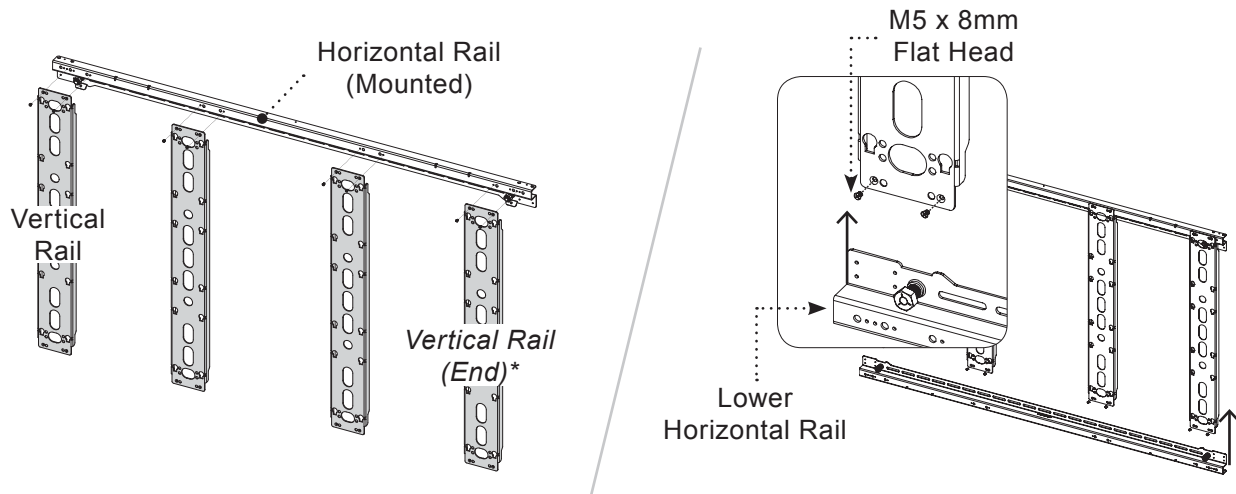


ABSEN A27

2

ASSEMBLE THE LOWER SECTION OF THE MOUNT

1. Securely fasten each Vertical Rail to a mounted Horizontal Rail using (2) M5 x 8mm Flat Head Screw per end.
2. Fasten the Lower Horizontal Rail but **do not anchor** until the mount is perfectly square. See sequential step.



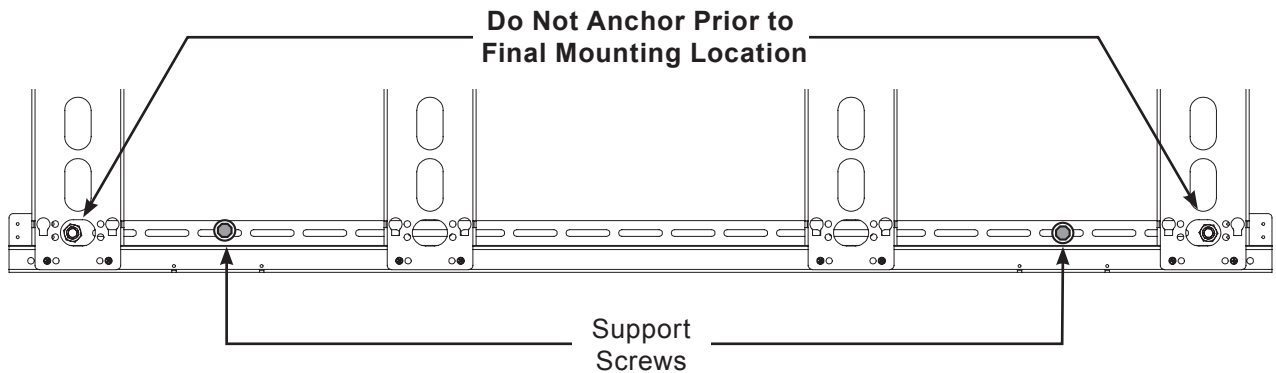
**Single unit configuration shown above. See next page for Multiple unit configuration.*

3

Install a few support screws (commercially available hardware) to temporary hold the lower section in place prior to final mounting location.



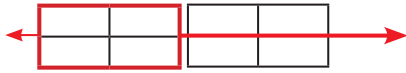
Installation is not finished within this step. After leveling the vertical brackets, secure the bottom horizontal to the wall. See step 7 for additional detail.



Multiple Unit Configuration

Extend Horizontally

To extend the width of the unit, follow the steps below.



1. Hang and position the second Horizontal Rail side by side.
2. Place a support screw while maintaining a leveled horizontal rail to temporary hold in place.
3. Attach the Spacer Brackets and fasten together using (8) M5 x 8mm Flat Head Screw for each rail.
4. Install the remaining Vertical Rails using (4) M5 x 8mm Flat Head Screw.
5. Install the lower section of the mount as the steps above.

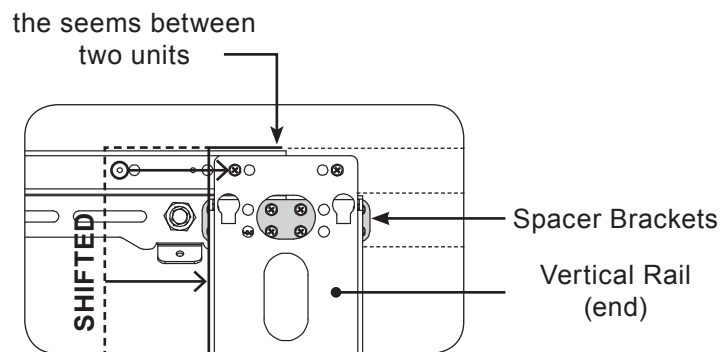


Figure 1

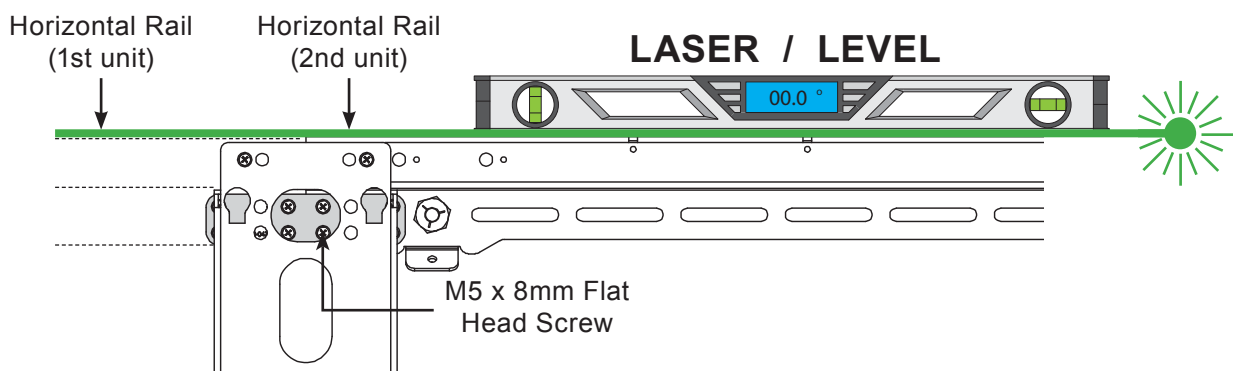


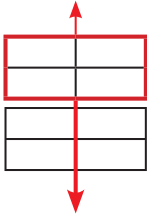
Figure 2



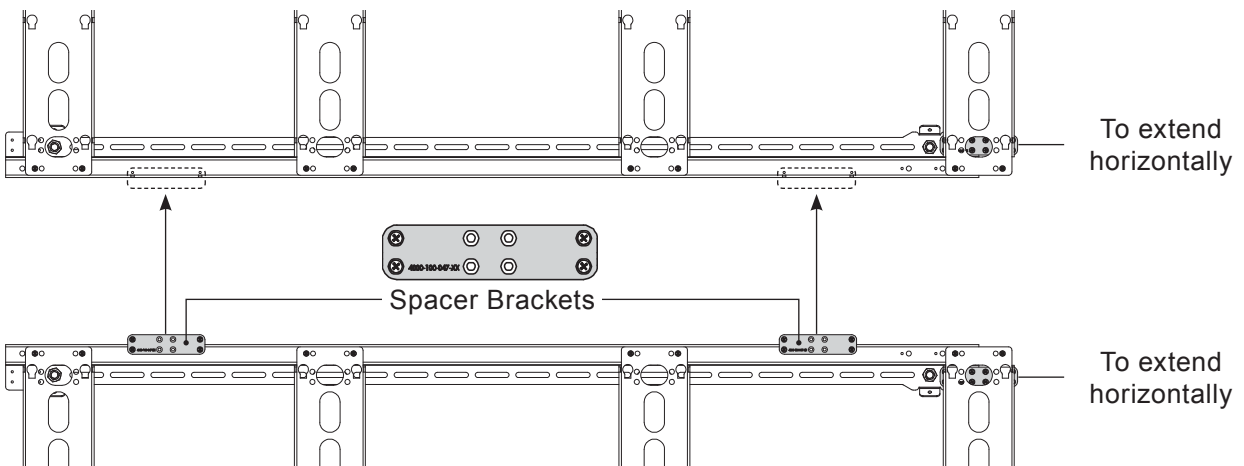
Multiple Unit Configuration

Extend Vertically

To extend the height of the unit, follow the steps below.



1. Position multiple units adjust to each other.
2. Joint the units together using multiple Spacer Brackets and fasten using (8) M5 x 8mm Flat Head Screw per.



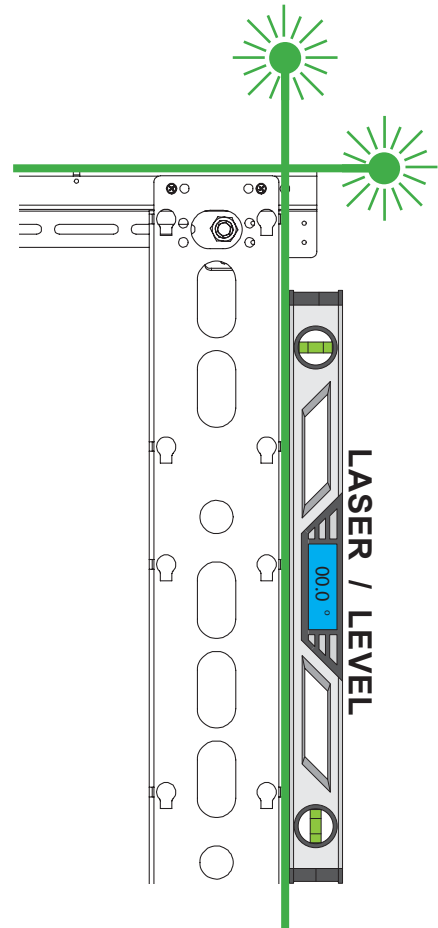
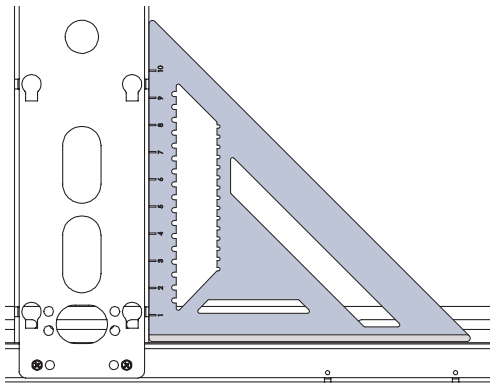
ABSEN A27

6

SQUARE AND LEVEL



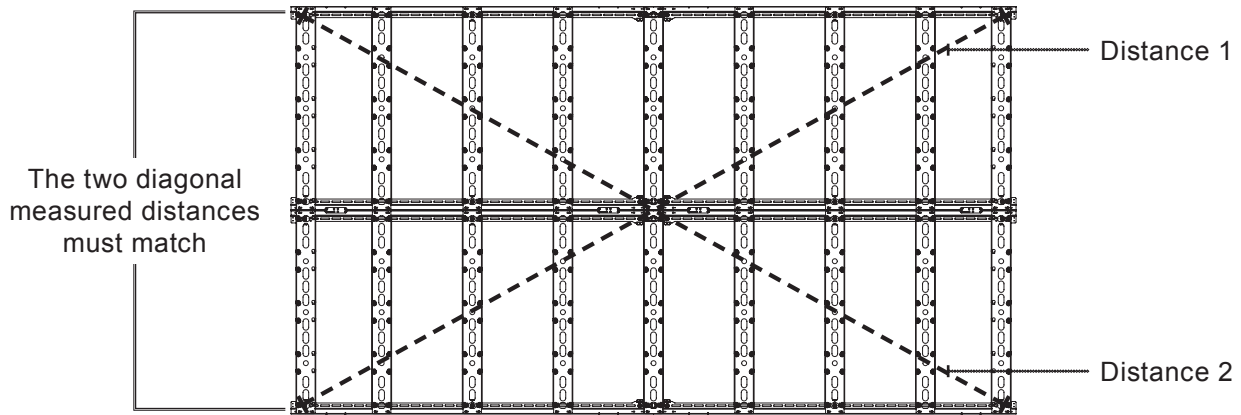
Inspect each bracket using a Square and Level tool.



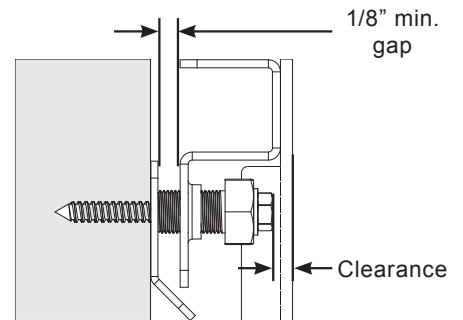
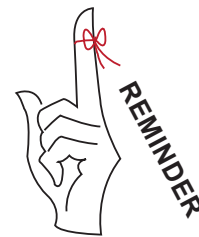
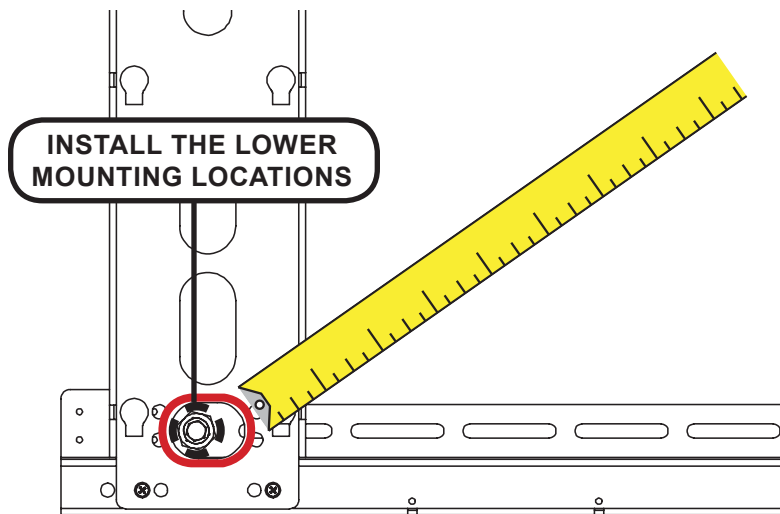
ABSEN A27

7

VERY IMPORTANT! VERIFYING THE DIAGONAL MEASUREMENTS FOR SQUARENESS



1. Measure the distance from corner to corner with a measuring tape.
2. Measure diagonally opposite and verify the diagonal measurements.
3. Proceed only if the two measurements are equivalent.
4. Secure the lower mounting location by sliding a Wall Anchor Plate behind the mount and fasten using 5/16" x 3" Hex Lag and 5/16" Washer.



FINAL ALIGNMENT AND ADJUSTMENT

1. Tie a string from one end to the other end of the entire array.
2. Tie horizontally and crisscross, especially for large video wall array.
3. Inspect for any gaps between the brackets and the string.
4. Adjust any necessary mounting location.

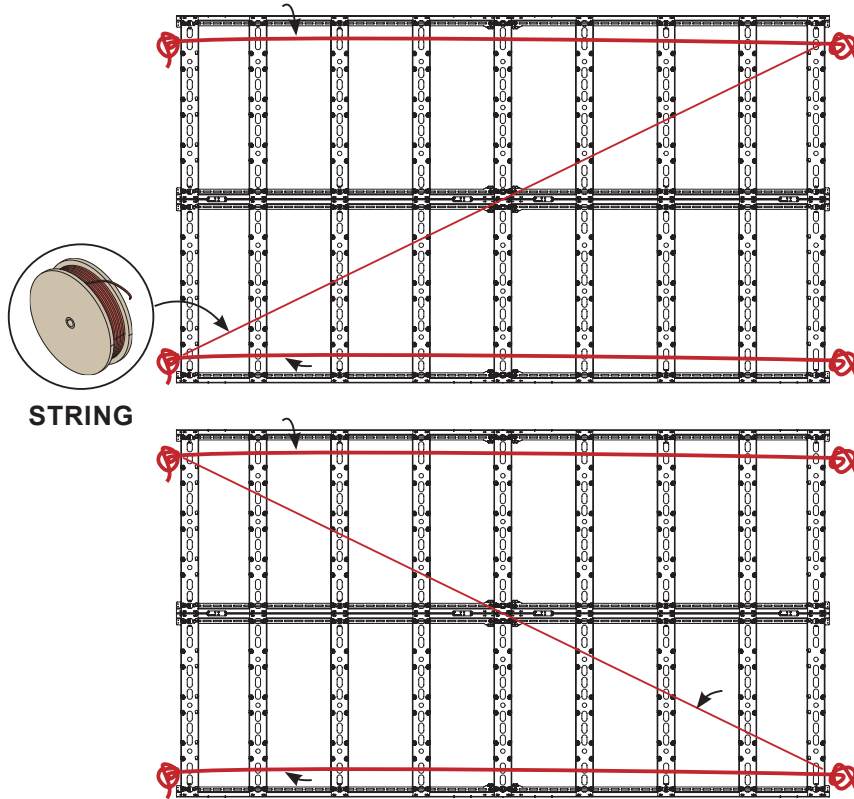


Figure 1

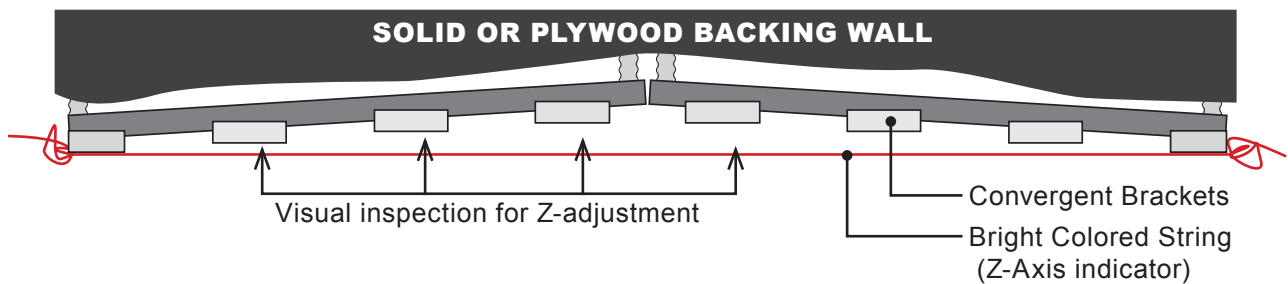


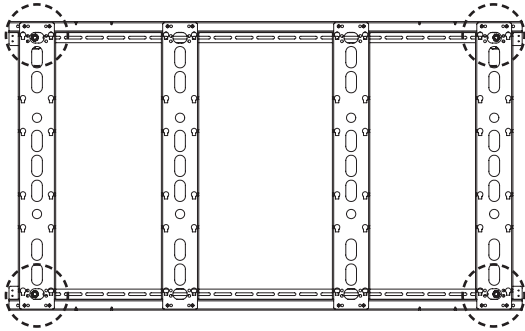
Figure 2



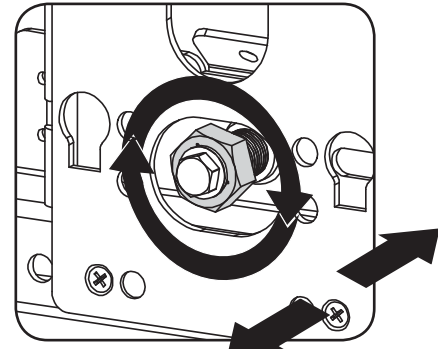
ABSEN A27

9

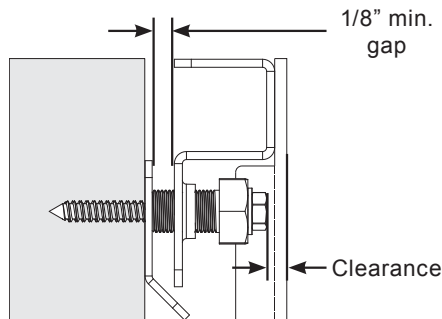
Adjustments



Uneven wall surfaces can be adjust by turning the Flush Bolt.

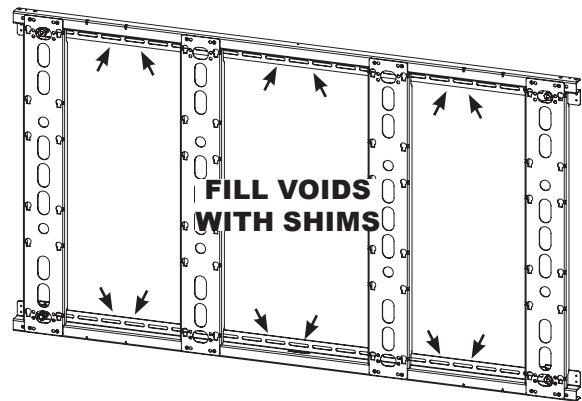
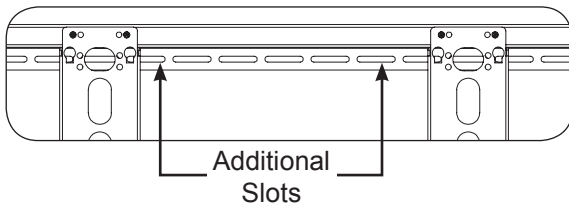


In / Out



10

NOTES: If using the additional slots for mounting points, make sure that the floating frame is fully level to the wall vertically and horizontally. Must use shims (commercially available) on every slots being used to fill the void between the wall and the frame. Avoid over tightening the screws as this would make the floating frame uneven.

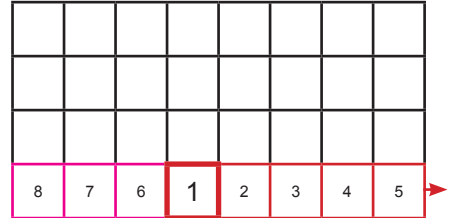


ABSEN A27

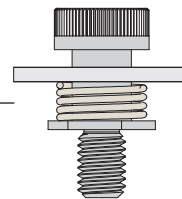
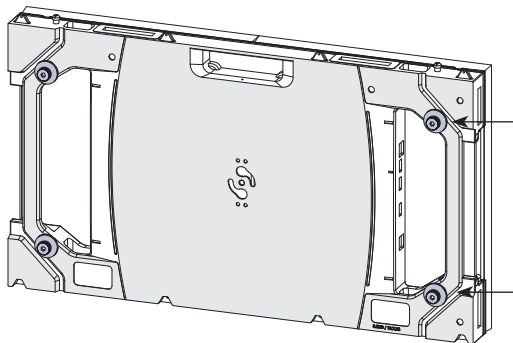
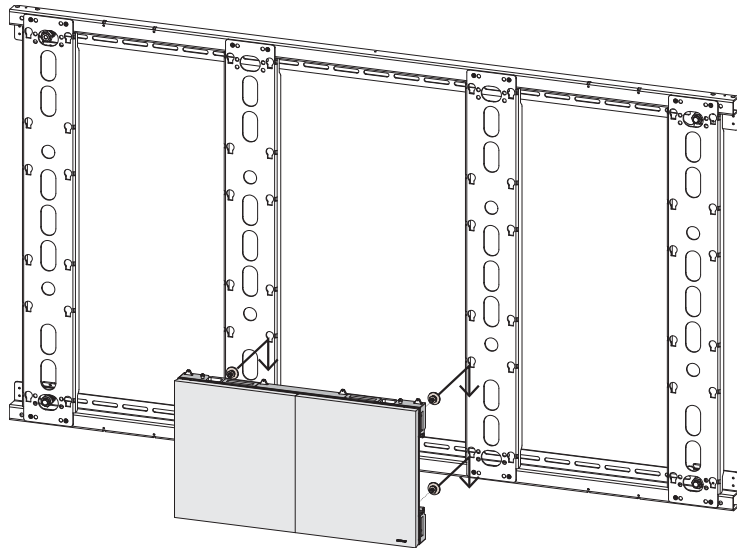
11

ABSEN A27 LED DISPLAY INSTALLATION MANUAL must be read in conjunction with the recommended steps below. LED Cabinets to be handled by industry qualified professional. Improper installation may cause damage to the LEDs.

1. Install the first LED Cabinet from the center bottom row of the mount.
2. Thread in (4) M8 Spring Loaded Bolt on the back of each LED Cabinets.
3. Position the LED Cabinet into the keyhole slot and slowly lower the cabinet.
4. Install adjacent or sequential cabinets and expand outward.
5. Finetune the LED Cabinets.



Example: 8X4 Array



M8 Spring Loaded Bolt

Single unit configuration, 3 Wide by 3 High Video Wall, shown for clarity.



ABSEN A27

12

RECOMMENDATION ONLY: INSTALL WITH GAP-IT TOOL

1. Place a Gap-It Tool to wedge between two LED Cabinets to prevent abrupt release of the cabinets.
2. Slowly slide the Gap-It tool away from the LED Cabinets while lowering into place. See Figure 2.



PREMIER MOUNTS IS NOT RESPONSIBLE FOR ANY IMPROPER HANDLING OF THE LED CABINETS.



Cautionary Advice:
Do not damage the LEDs when lowering.

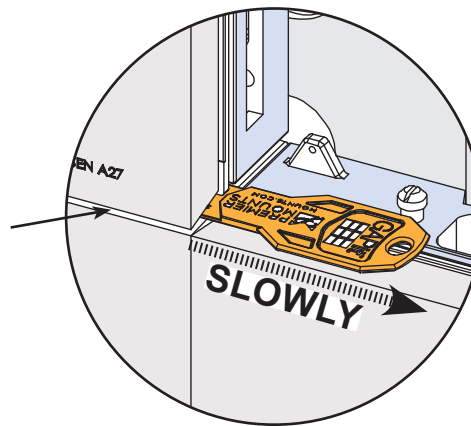


Figure 2

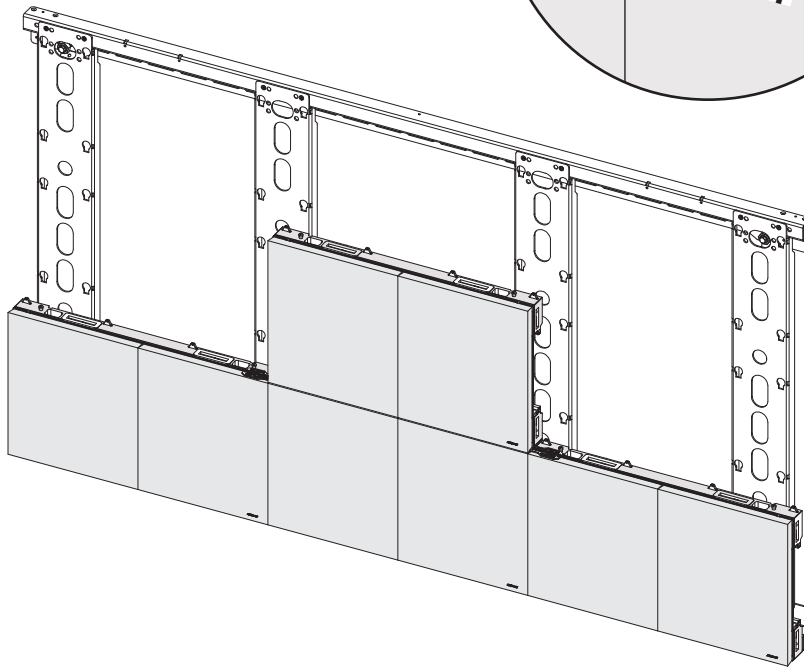


Figure 1





PREMIER MOUNTS LIMITED WARRANTY

WARRANTY COVERAGE:

Premier Mount's PDS warranty period for products used in "build-to-order" applications is 1 year for fabricated products. Electronic actuators and controllers are covered for 3 years. Batteries are covered for 12 months. The Warranty period is effective from the production date, as stated on the "ship date" and/or product label.

INITIATION OF A CLAIM:

Please contact Premier Mounts PDS Inc. to obtain a Returned Materials Authorization (RMA) number prior to sending any product back to Premier Mounts PDS. The following information is required before issuing the RMA number:

- Premier Mounts PDS Item number
- Statement describing defect
- Line reject (Product that has failed or is rejected at the OEM) or field reject (Product that has failed at the OEM's customer)
- Brief description of any failure or impact to surround equipment or surfaces.

HOW TO REQUEST AN RMA:

1. Submit your request via Email: PDS@PremierMounts.com
2. Premier Mounts PDS shall have the option of inspection of the goods on Buyer's premises or authorizing their return. No goods are to be returned without written consent nor shall Premier Mounts be liable for any expense, including inspection expenses, incurred by Buyer in order to remedy defects in said goods.
3. Premier Mounts PDS will, at their option, provide credit, repair, or replace such products determined by Premier Mounts to be defective.

RETURNING THE PRODUCT TO PREMIER MOUNTS PDS:

1. Products must be packed securely to insure no further damage upon arrival at Premier Mounts PDS. Improperly packaged items will be considered non-warranty.
2. Line rejects must be shipped to Premier Mounts PDS in a separate box using a separate RMA number from any field rejects.
3. Please return any defective products or parts to Premier Mounts PDS. We will provide preferred carrier information) or by UPS small parcel. Shipping charges for product that is covered by warranty will be covered by Premier Mounts PDS. Product that is non-warrantable will be returned to the customer at their expense.

PREMIER MOUNTS
ATTN: Warranty Claims
500 W Central Ave, Suite A
Brea, CA 92821

WARRANTY UNITS - FIELD REJECTS:

- a. Field Rejects will be analyzed and full credit, repair, or replacement at Premier Mounts PDS decision. If the products returned to Premier Mounts PDS must be returned to the customer, the products will be repaired and marked as refurbished.
- b. For metal frames and structures that are integrated into the architecture, Premier Mounts will coordinate inspection to determine corrective action. Field repairs may be made at Premier Mounts direction and warranty units that required field repair will be done by Premier Mounts or their partners.
- c. For product that is returned and is found to have a non-warranty failure, the product will be scrapped and no credit will be issued.
- d. If the evaluation is complete and there is a "No Fault" found, a re-manufactured label will be placed on each unit and the units will be returned to the customer. The customer will be responsible for return shipment costs.

REPAIR OF NON-WARRANTY PRODUCT:

- a. If repair is needed for an item with a non-warranty failure, repair charges will be quoted via email. We request an approval within 5 business days. If no response is received, the product will be scrapped.
- b. The products will then be repaired and marked as refurbished. A re-manufactured label will be placed on each unit.
- c. Units outside the warranty period that are returned for evaluation will be charged an analysis fee of \$40.00 per unit.
- d. Units outside the warranty period will not be repaired.

Premier Mounts intends to make this manual accurate and complete. However, Premier Mounts makes no claim that the information contained herein covers all details, conditions or variations, nor does it provide for every possible contingency in connection with the installation or use of this product. The information contained in this document is subject to change without notice or obligation of any kind. Premier Mounts makes no representation of warranty, expressed or implied, regarding the information contained herein. Premier Mounts assumes no responsibility for accuracy, completeness or sufficiency of the information contained in this document.