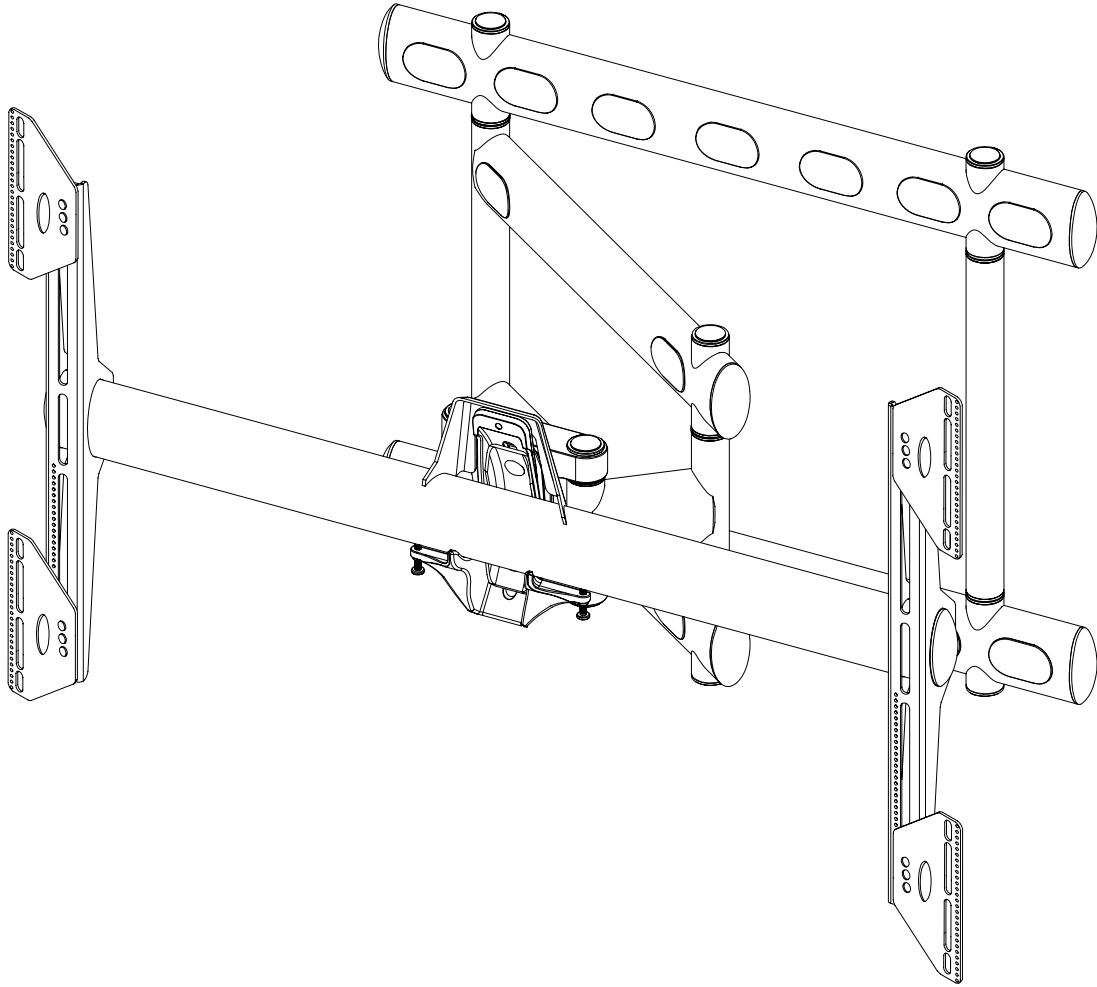


AM300-B Installation Guide



premiermounts.com | p. 800.368.9700 | e. orders@premiermounts.com
500 W Central Ave, Suite A, Brea, CA 92821 USA



9531-007-001-0X v11.2
publ. 09/30/19

AM300-B

Installation Guide

Weight Limit

Maximum Flat Panel Weight: **300 lbs.**

THE WALL STRUCTURE MUST BE CAPABLE OF SUPPORTING AT LEAST FOUR TIMES THE WEIGHT OF THE FLAT PANEL. IF NOT, THE WALL STRUCTURE MUST BE REINFORCED.

Warning Statements



PRIOR TO THE INSTALLATION OF THIS PRODUCT, THE INSTALLATION INSTRUCTIONS MUST BE READ AND COMPLETELY UNDERSTOOD. KEEP THESE INSTALLATION INSTRUCTIONS IN AN EASILY ACCESSIBLE LOCATION FOR FUTURE REFERENCE.



PROPER INSTALLATION PROCEDURE BY A QUALIFIED SERVICE TECHNICIAN MUST BE FOLLOWED, AS OUTLINED IN THESE INSTALLATION INSTRUCTIONS. FAILURE TO DO SO COULD RESULT IN PROPERTY DAMAGE, SERIOUS PERSONAL INJURY, OR EVEN DEATH.



SAFETY MEASURES MUST BE PRACTICED AT ALL TIMES DURING THE ASSEMBLY OF THIS PRODUCT. USE PROPER SAFETY EQUIPMENT AND TOOLS FOR THE ASSEMBLY PROCEDURE TO PREVENT PERSONAL INJURY.



PREMIER MOUNTS DOES NOT WARRANT AGAINST DAMAGE CAUSED BY THE USE OF ANY PREMIER MOUNTS PRODUCT FOR PURPOSES OTHER THAN THOSE FOR WHICH IT WAS DESIGNED OR DAMAGE CAUSED BY UNAUTHORIZED ATTACHMENTS OR MODIFICATIONS, AND IS NOT RESPONSIBLE FOR ANY DAMAGES, CLAIMS, DEMANDS, SUITS, ACTIONS OR CAUSES OF ACTION OF WHATEVER KIND RESULTING FROM, ARISING OUT OF OR IN ANY MANNER RELATING TO ANY SUCH USE, ATTACHMENTS OR MODIFICATIONS.



At least two qualified people should perform the assembly procedure. Personal injury and/or property damage can result from dropping or mishandling the flat panel.



If mounting to wall studs or ceiling studs, make sure that the mounting screws are anchored into the center of the wall studs or ceiling studs. Use of an edge-to-edge stud finder is recommended.



It is recommended that a maximum of 5/8" plaster board be used when mounting to wooden studs.



Be aware of the mounting environment. If drilling and/or cutting into the mounting surface, always make sure that there are no electrical wires in wall. Cutting or drilling into an electrical line may cause serious personal injury.



Make sure there are no water or natural gas lines inside the wall where the mount is to be located. Cutting or drilling into a water or gas line may cause severe property damage or personal injury.



This product is intended for indoor use only. Use of this product outdoors could lead to product failure and/or serious personal injury.



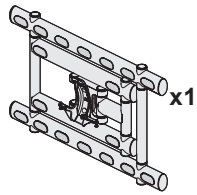
Do not install near sources of high heat. Do not install on a structure that is prone to vibration, movement or chance of impact.



AM300-B Installation Guide

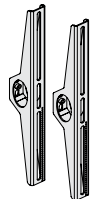
Maximum Flat Panel Weight:
300 lb. / 136 kg.

Included Components:



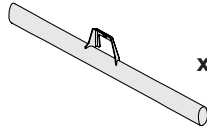
Swingout Mount

x1



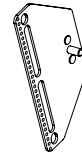
Mounting Bracket

x1 Pair



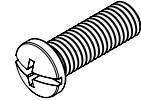
Universal Bracket Bar

x1



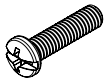
Extension Adapter

x4



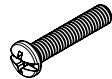
M10 x 30mm

x4



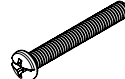
M4 x 16mm

x4



M4 x 20mm

x4



M4 x 30mm

x4



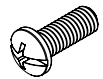
Griplate™ Washer

x4



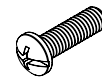
M8 Nylon Nut

x4



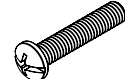
M6 x 16mm

x4



M6 x 20mm

x4



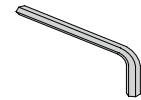
M6 x 30mm

x4



Universal Spacers

x8



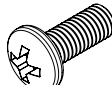
5/32" Allen Wrench

x1



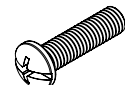
M8x 16mm

x4



M8 x 20mm

x4



M8 x 30mm

x4



M8 x 45mm

x4



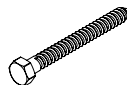
Level

x1



5/16" Flat Washer

x8



5/16" x 3" Hex Lag

x4



Finned Anchor

x4



Thread Depth Indicator (Supplied)

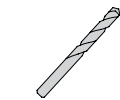
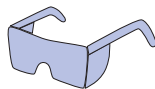
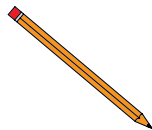
x1



14mm Socket

x1

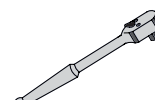
Required for installation



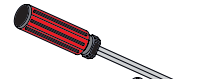
M6 or 1/4" Wood Drill bit



3/8" Masonry Drill bit



13mm or 1/2" Socket



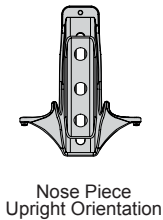
AM300-B

Installation Guide

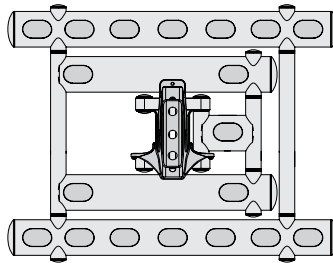
Mount Orientation

Swingout Arm can be oriented to open from either the left-hand or right-hand side. Simply invert and re-orient the Nose Piece.

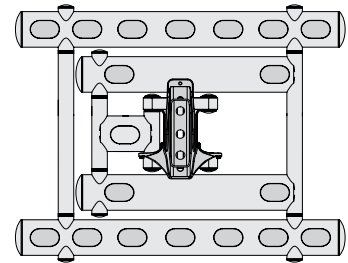
Proceed to the “Nose Piece Orientation” section.



Nose Piece
Upright Orientation



Left-Hand Swingout Arm Orientation



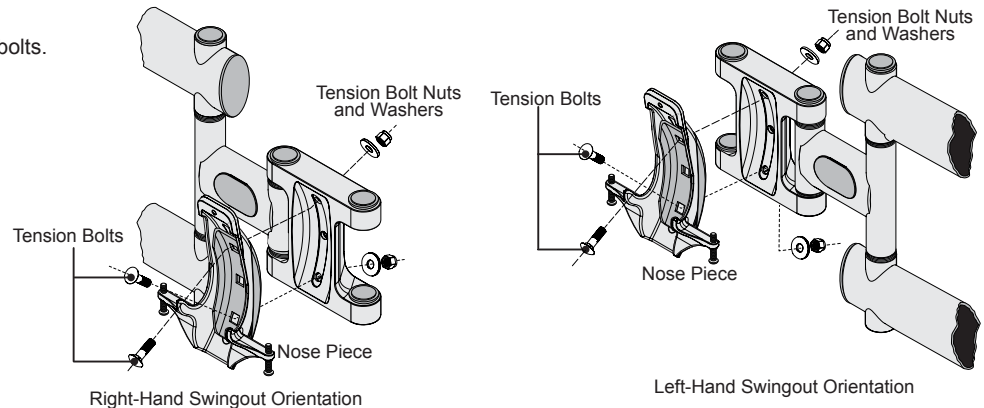
Right-Hand Swingout Arm Orientation

Nose Piece Orientation

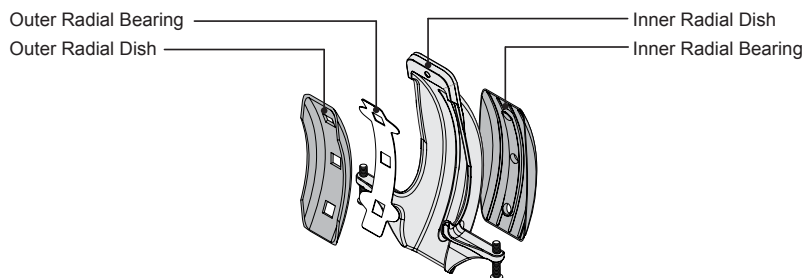
- 1) Remove the Nose Piece by removing the tension bolts, tension bolt nuts, and washers.
- 2) Detach the Nose Piece assembly, rotate it 180°, and place it back onto your Swing out Arm.
- 3) Slide the tension bolts back into the holes and attach the tension bolts nuts and washers from the backside of the Nose Piece Assembly.
- 4) Tighten the tension bolts.



Do not overtighten the tension bolts.



The Nose Piece consists of four parts that must stay together in the order that they were manufactured. If they become separated during any of the Nose Piece Orientation steps, re-assemble the parts in the order shown below.



Proceed to the “Wood Stud Installation” section if installing on a wood stud surface. The drywall must be at least 1/2” thick.

Proceed to the “Concrete Installation” section if installing onto a concrete surface.



1

Wood Installation



Minimum of two (2) 2x4 wood stud to be used



Secure the mount to two (2) wall studs with a minimum of four (4) 5/16" x 3" Hex Lag into the studs.

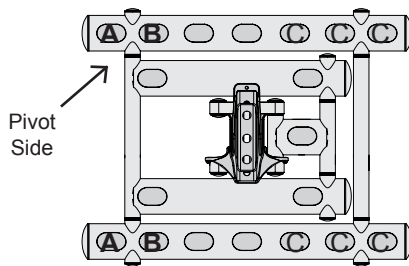
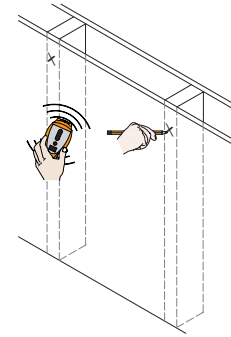


Do not overtighten.

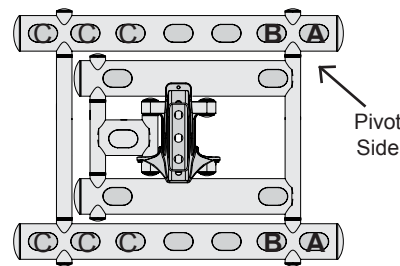


Install a **minimum of four mounting points**. Use a 5/16" washer on each hex lag.

A or B mounting points are a must. The other two can be in any C locations.



Left-Hand Swingout Arm Orientation



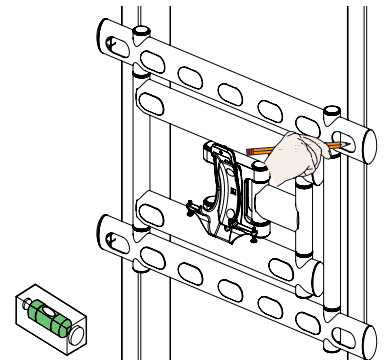
Right-Hand Swingout Arm Orientation

2



Two people are recommended for this step; one person to level the Mount and another person to mark the wall stud location.

- 1) Place the mount against the wall in the desired viewing location.
- 2) Adjust the mount to align the mount slots in the wall plate with the center of the wall studs.
- 3) Level the mount.
- 4) Use a pencil to mark the upper right mounting location along the center of the wall stud.

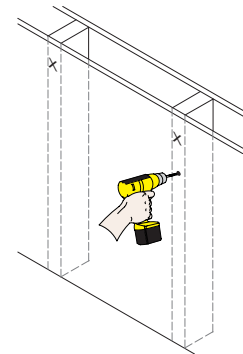


3

Drill a "pilot hole" in the center of the upper right mark using a 1/4" drill bit and power drill.



Only use a 1/4" drill bit when drilling pilot holes.



AM300-B

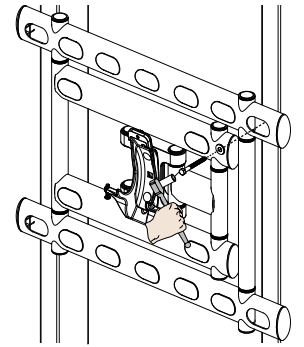
Installation Guide

4

- 1) Place the Mount against the wall and align it with the pilot hole.
- 2) Insert one (1) 5/16"x 3" Hex lag and one (1) 5/16" washer into the upper right pilot hole.
- 3) Use a socket wrench and a 1/2" socket to tighten the hex lag.

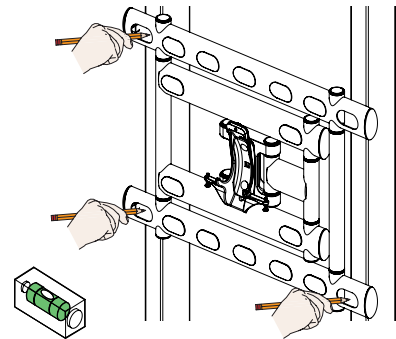


Do not overtighten the hex lag.



5

- 1) Level the wall plate.
- 2) Use a pencil to mark the remaining three (3) mounting locations along the center of each wall stud.



6

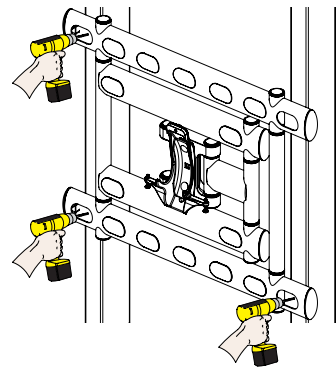


Two people are recommended for this step; one person to level the wall plate and another person to drill the pilot holes.

Drill a "pilot hole" in the center of each of the marks with a power drill and a 1/4" drill bit.



Only use 1/4" drill bit when drilling the pilot holes.

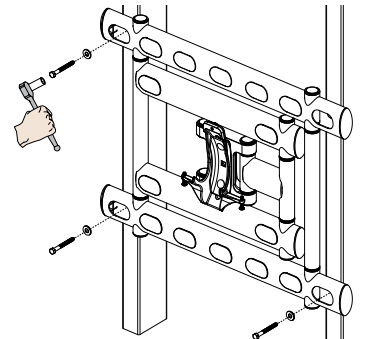


7

- 1) Insert one (1) 5/16" x 3" Hex Lag and one (1) 5/16" washer into each pilot hole
- 2) Tighten all hex lags using a socket wrench and 1/2" socket.



Do not overtighten the hex lag when attaching the mount to the wall. Improper installation may result in personal injury or property damage.

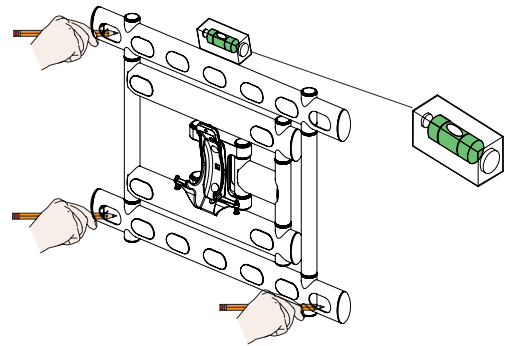


8

Concrete Installation



Two people are recommended for this step: one person to level the wall plate and another person to mark the mounting locations.

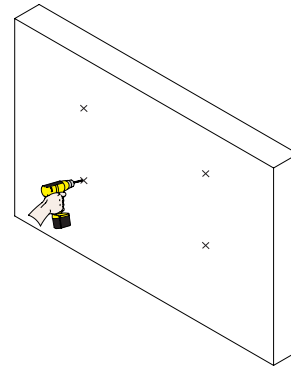


9

Drill four (4) pilot holes of each mark using a drill and 3/8" masonry drill bit. Drill 3 inches deep.

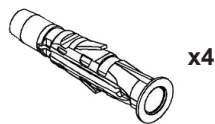


Only use a 3/8" masonry drill bit when drilling pilot holes.



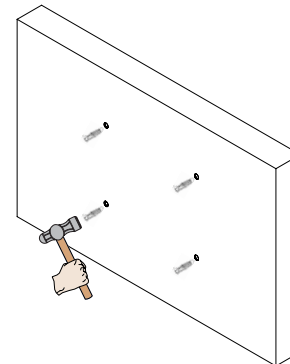
10

Insert a Finned Anchor into each hole. Lightly tap each Finned Anchor into place with a hammer.



x4

Finned Anchor

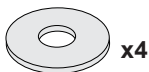


11

Insert the hex lags and washers into the Finned anchors. Tighten all hex lags using a socket wrench and 1/2" socket.



Do not over tighten the hex lags.



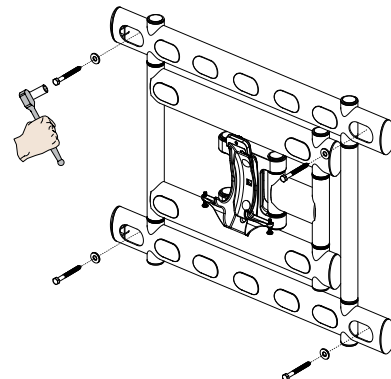
x4

5/16" Flat Washer



x4

5/16" x 3" Hex Lag



AM300-B Installation Guide

12

Selecting the Mounting Hardware

- 1) Insert a small straw or toothpick into the threaded inserts found on the back of the flat panel.
- 2) Use a pencil to mark the depth of the threaded insert on the small straw or toothpick.
- 3) Mark the straw or toothpick 1/8" above the depth of the threaded insert, as shown in Figure 1.
- 4) Insert the small straw or toothpick into the remaining threaded inserts to compare verify their depth using the straw or toothpick's 1/8" allowance mark.
- 5) Locate the correct diameter screw for the threaded insert.



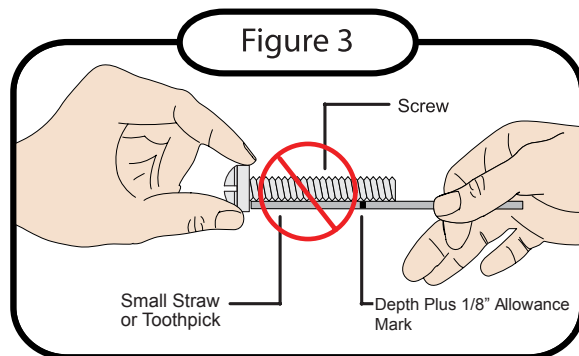
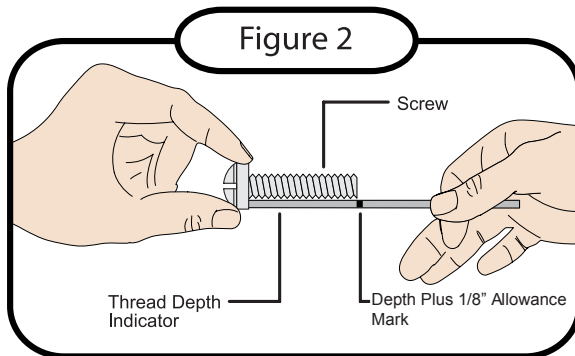
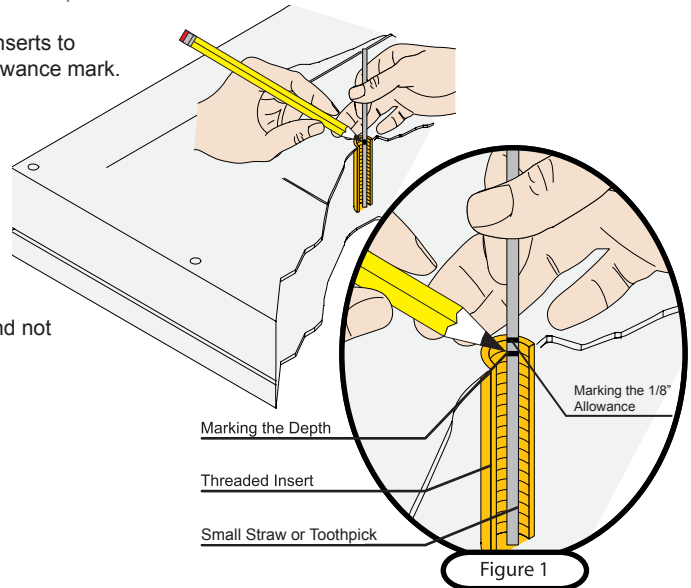
If the screw selected is longer than the 1/8" allowance mark on the small straw or toothpick, as shown in Figure 2 and Figure 3, do not use this screw. The screw length must not bypass the mark.

- 6) Test each size of the screws provided.

The correct screws should thread easily into the mounting point and not pull out when tension is applied.






Account for the bracket, spacer and Griplate™ Depths when using the Thread Depth Indicator to measure the thread depth of the flat panel.




Griplate™ Washer Installation

Premier Mounts' Griplate™ washers are designed to accommodate the various M4, M5, M6 and M8 hole sizes required by flat panels.

-  Do not place excessive pressure on the back of the flat panel, as this may damage your flat panel.
-  The Griplate™ washer must be installed between the head of the mounting screw and the mounting bracket as shown.
-  The dimples on the Griplate™ washers must be oriented as follows:

- The Griplate™ Washers installed at the top of the flat panel must have the points of the dimples facing away from the flat panel.
- The Griplate™ Washers installed at the bottom of the flat panel must have the points of the dimples facing towards the flat panel.

 Does the flat panel have:



- Recessed mount points?
- Uneven mounts points?
- A curved back?
- Any obstruction near the mount point?

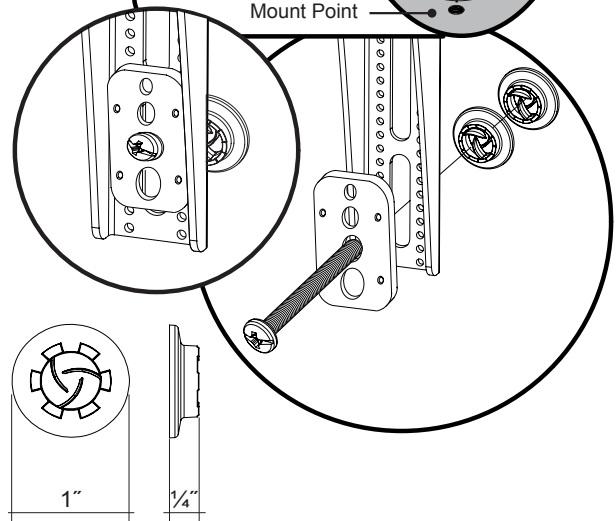
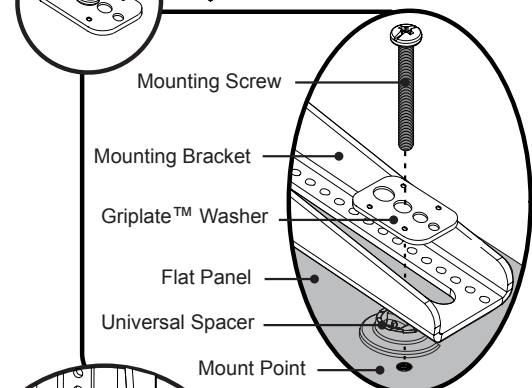
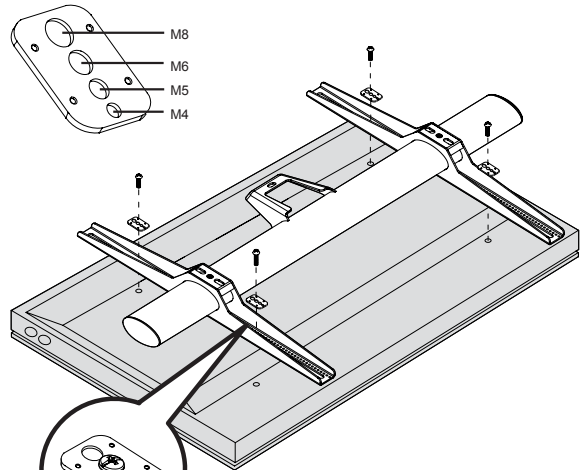
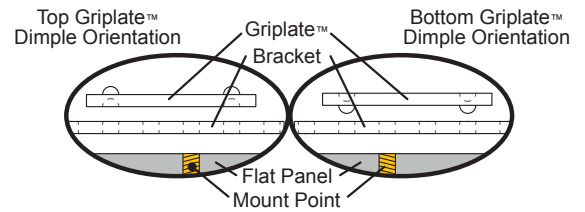
If **Yes**, install the Universal Spacer. Proceed to the "**Universal Spacer installation**" section.

If **No**, skip to the "**Mounting Bracket Installation**" section.

Universal Spacer Installation (Optional)

Universal Spacers allow the user to attach the mounting bracket to flat-panels which have recessed or uneven mount points. Each Universal Spacer adds 1/4" to the distance between the mounting bracket and the flat-panel.

-  The Universal Spacers must be stacked and oriented as shown.
-  The Universal Spacers must only be installed between the mounting bracket and the flat-panel.



AM300-B

Installation Guide

14



Does the flat panel have a mount pattern for the mount points greater than 506mm high x 876mm wide?

If **No**, proceed to the “**Universal Bracket Installation**” section.

If **Yes**, proceed to the “**Adapter Plate Installation (Optional)**” section.

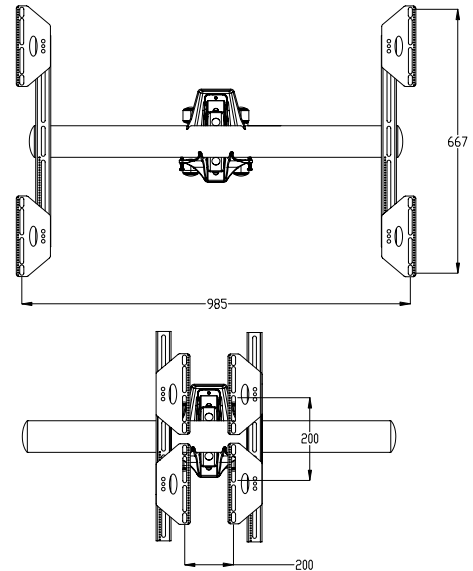
The Adapter Plates allow the mount to accommodate varies mount patterns.

Without Adapters:

Minimum: 240mm x 120mm
Maximum: 506mm x 876mm

With Adapters:

Minimum: 200mm x 200mm
Maximum: 985mm x 667mm



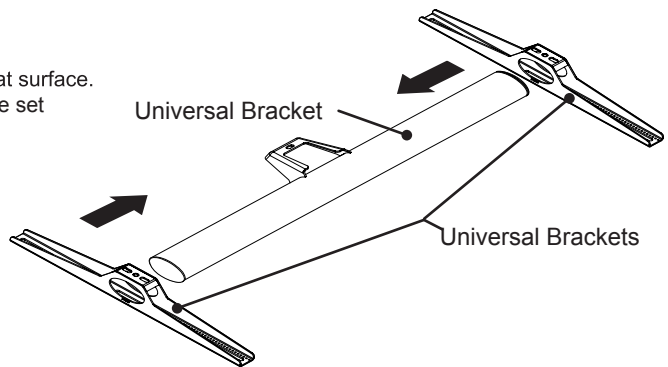
15

Universal Bracket Installation

- 1) Place the Universal Bracket Bar and the Universal Brackets on a flat surface.
- 2) Slide the Universal Brackets onto the Universal Bracket Bar with the set screws facing up.

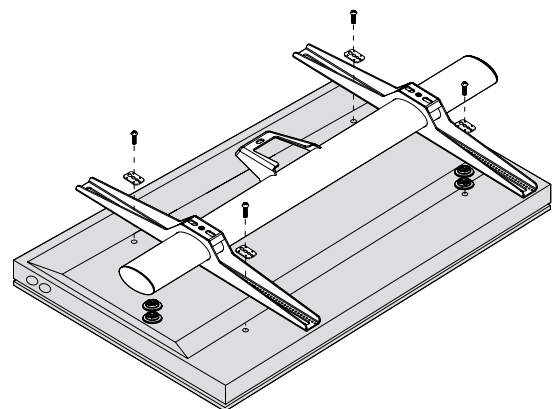


Do not tighten the set screws that are located on the back of each Universal Bracket.



16

- 1) Place the flat panel on a soft, flat surface, face-down.
- 2) Place universal spacers over pointing points, as determined in the “**Universal Spacer Installation**” section.
- 3) Place the Universal Bracket assembly on the back of the display, with the Universal Brackets resting directly over the flat panel mount points.
- 4) Place a Griplate™ Over each mount point and secure them using the mounting hardware determined in the “**Selecting the Mounting Hardware**” section.

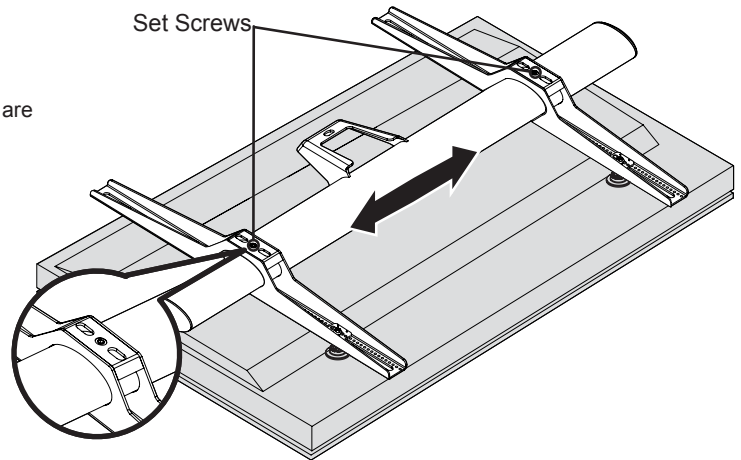


17

- 1) Center the Universal Bracket Bar.
- 2) Use the 5/32" Allen wrench to tighten the set screws that are located on the back of each Universal Bracket.



Do not overtighten the set screws.



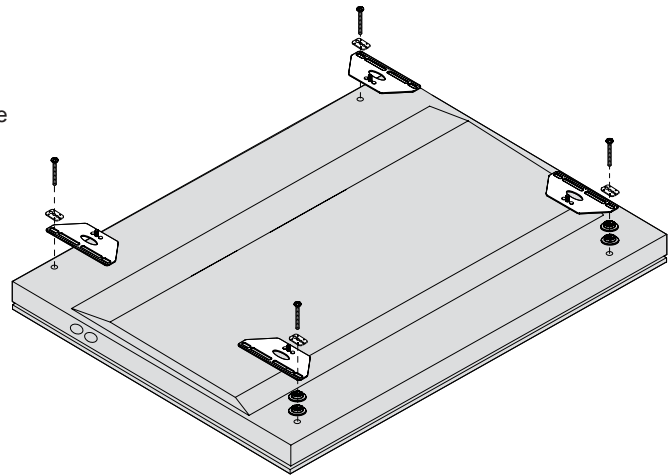
18

Adapter Plate Installation

Attach the Adapter Plates to the flat panel using Griplates™ and the mounting hardware determined in the “**Selecting the Mounting Hardware**” and “**Nylon Spacer Installation**” sections.

Do not tighten the mounting hardware at this time.

If M10 x 30mm mounting screws are needed for your installation, Griplate™ washers cannot be used. Please use the four (4) 5/16" flat washers (supplied) with the M10 x 30mm screws to attach the adapter plates to the flat panel.



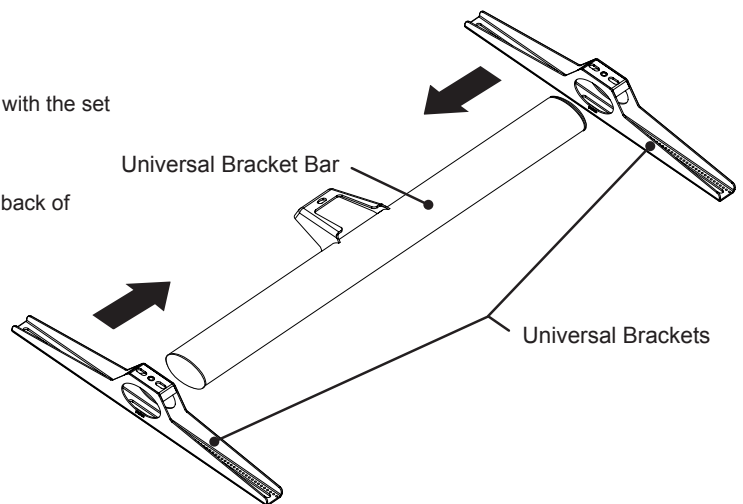
19

Slide the Universal Brackets onto the Universal Bracket Bar with the set screws facing up.



Caution!

Do not tighten the set screws that are located on the back of each Universal Bracket.



AM300-B

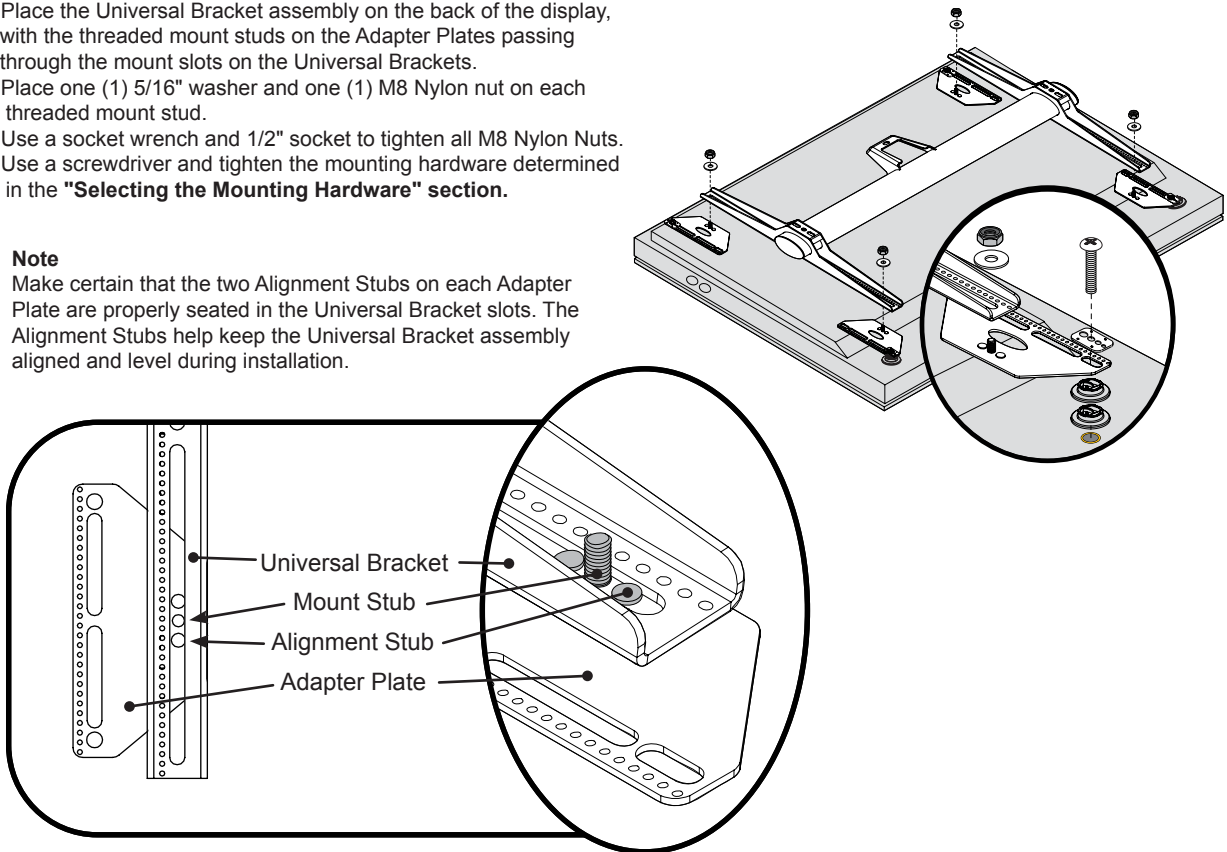
Installation Guide

20

- 1) Place the Universal Bracket assembly on the back of the display, with the threaded mount studs on the Adapter Plates passing through the mount slots on the Universal Brackets.
- 2) Place one (1) 5/16" washer and one (1) M8 Nylon nut on each threaded mount stud.
- 3) Use a socket wrench and 1/2" socket to tighten all M8 Nylon Nuts.
- 4) Use a screwdriver and tighten the mounting hardware determined in the "Selecting the Mounting Hardware" section.

Note

Make certain that the two Alignment Stubs on each Adapter Plate are properly seated in the Universal Bracket slots. The Alignment Stubs help keep the Universal Bracket assembly aligned and level during installation.

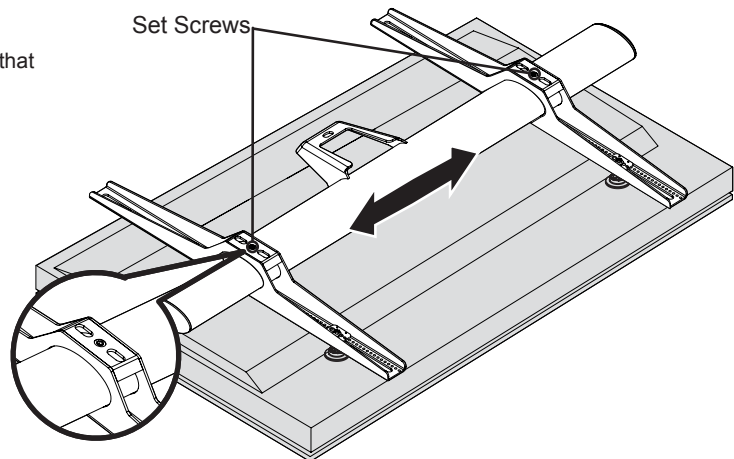


21

- 1) Center the Universal Bracket Bar.
- 2) Use the 5/32" Allen Wrench to tighten the set screws that are located on the back of each Universal Bracket.



Caution!
Do not overtighten the set screws.



22

Attaching the Flat Panel to the Swingout Arm



Caution !

The following procedure requires two people.

Warning !



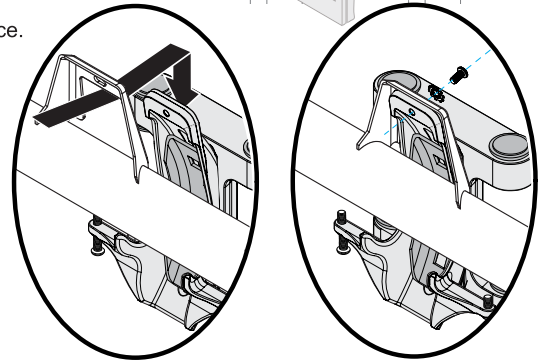
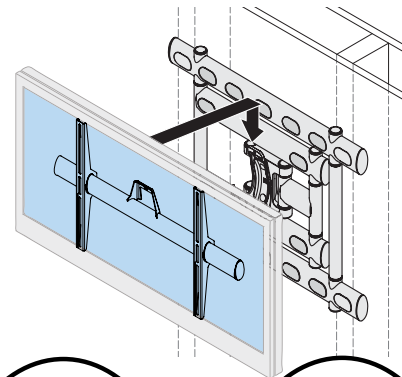
The M6 x 12mm screw and lock washer must be installed otherwise the flat panel can be easily dislodged, causing severe personal injury and/or property damage. Use extreme care when pushing or pulling on the Swing out Arm.

- 1) Lift the flat panel / Universal Bracket assembly to the Swingout Arm.
- 2) Slide the hood of the Universal Bracket Bar over the top of the Nose Piece.
- 3) Slowly lower the flat panel / mounting bracket assembly on to the Nose Piece.
- 4) Insert and tighten M6 x 12mm screw and lock washer to secure the flat panel / mounting bracket assembly to the Swingout Arm.

Warning !



Do not release the flat panel / mounting bracket assembly unless the hood of the Universal Bracket Bar is firmly seated on the Nose Piece.



Flat Panel Removed for Clarity

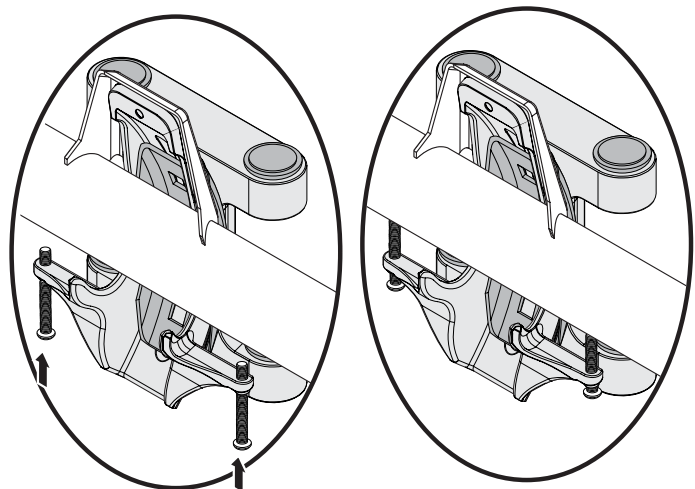
23

Insert and tighten two (2) M6 x 30mm locking screws into the bottom of the Nose Piece.



Caution!

Do not overtighten the M6 x 30mm locking screws.



AM300-B

Installation Guide

24

Tilting Positioning

Before making any tilt adjustments, loosen both tension bolts nut one-half turn.

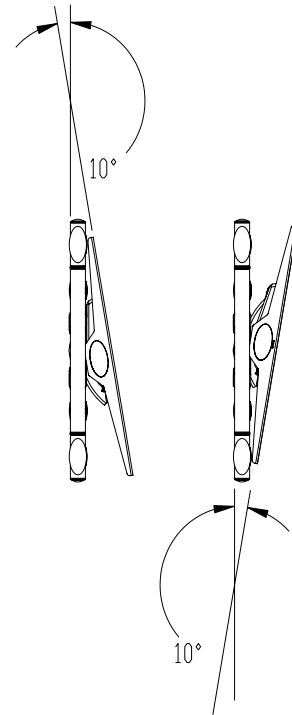
Adjusting the Tilt Angle

- 1) Place one hand at the center top edge of the flat panel.
- 2) Place the other hand on the center bottom edge of the flat panel.
- 3) Using the upper hand, gently pull the top of the flat panel towards while the lower hand gently pushes the bottom of the flat panel away.

Adjusting the Flat Panel to the Original Position

- 1) Place one hand at the center top edge of the flat panel.
- 2) Place the other hand on the center bottom edge of the flat panel.
- 3) Using the upper hand, gently push the top of the flat panel towards the wall while the lower hand gently pulls the bottom of the flat panel away from the wall.

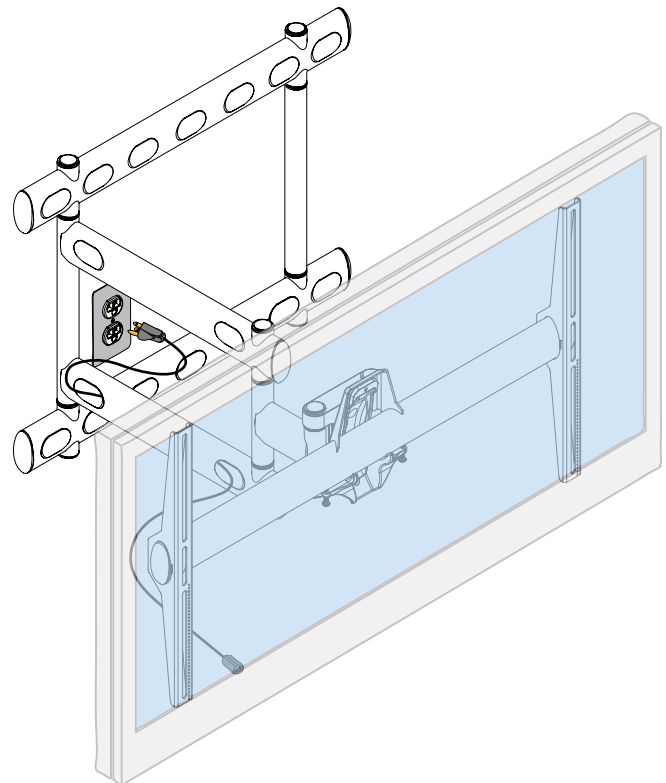
After making any tilt adjustments, tighten then tension bolt nuts one-half turn.



25

Cable Management

Route power and data cables through any of the access points on the Swingout Arm. This not only helps to prevent cables from being pinched, but helps hide unsightly cable clutter.



PREMIER MOUNTS LIMITED LIFETIME WARRANTY

What and Who is Covered by this Limited Lifetime Warranty

Premier Mounts warrants all mounting products to be free from defects in material and workmanship for the lifetime of the original installation of the product.

What Premier Mounts Will Do

At the sole option of Premier Mounts, Premier Mounts will repair or replace any product or product part that is defective. If Premier Mounts chooses to replace a defective product or part, a replacement product or part will be shipped to you at no charge, but you must pay any related labor costs.

What is Not Covered: Limitations

Premier Mounts disclaims any liability for damage to mounts, adapters, displays, projectors, other property, or personal injury resulting, in whole or in part, from improper installation, modification, use or misuse of its products.

NOTWITHSTANDING ANYTHING TO THE CONTRARY IN THIS WARRANTY, THIS WARRANTY IS LIMITED TO FIVE YEARS FROM THE DATE OF PURCHASE IN THE EVENT THAT THE WARRANTED PRODUCT IS COMMERCIALY RENTED OUT.

Electrical products and components, such as amplifiers, speakers, motors, switches remote controls and related electrical items, are backed by a 3-year warranty.

Premier Mounts disclaims all other warranties, express or implied, including warranties of merchantability and fitness for a particular purpose. Premier Mounts is not responsible for incidental or consequential damages, including but not limited to, inability to use its products or labor costs for removing and replacing defective products or parts. Some states do not allow the exclusion or limitation of incidental or consequential damages, so the above limitation or exclusion may not apply to you.

What Customers Must Do for Warranty Service

If you discover a problem that you think may be covered by the warranty, you must report it in writing to the address below within thirty (30) days. Proof of purchase (an original sales receipt) from the original consumer purchaser must accompany all warranty claims. Warranty claims must also include a description of the problem, the purchaser's name, address, and telephone number. General inquiries can be addressed to Premier Mounts Customer Service at 1-800-368-9700. Warranty claims will not be accepted over the phone or by fax.

PREMIER MOUNTS
ATTN: Warranty Claims
500 W Central Ave, Suite A
Brea, CA 92821

How State Law Applies

This warranty gives you specific legal rights, and you may also have other rights which vary from state to state.

Premier Mounts intends to make this manual accurate and complete. However, Premier Mounts makes no claim that the information contained herein covers all details, conditions or variations, nor does it provide for every possible contingency in connection with the installation or use of this product. The information contained in this document is subject to change without notice or obligation of any kind. Premier Mounts makes no representation of warranty, expressed or implied, regarding the information contained herein. Premier Mounts assumes no responsibility for accuracy, completeness or sufficiency of the information contained in this document.

©**PREMIER MOUNTS**
500 W Central Ave, Suite A
Brea, CA 92821

USA & CANADA
Phone: 800-368-9700
Fax: 800-832-4888
e. orders@premiermounts.com

