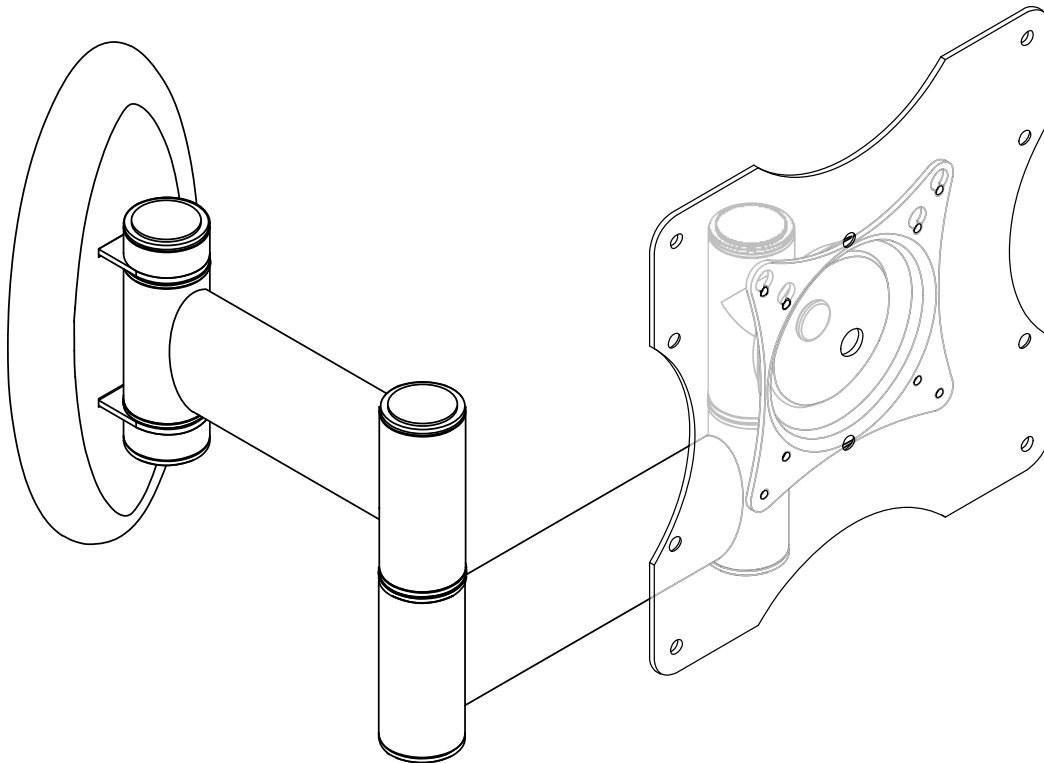


AM50 / AM50-B

Articulating Swingout Arm

INSTALLATION INSTRUCTIONS



premiermounts.com | p. 800.368.9700 | e. orders@premiermounts.com
500 W Central Ave, Suite A, Brea, CA 92821 USA

9531-006-031-0X REV.2



Contents

Weight Limit..... 2

Warning Statements..... 2

Installation Tools..... 3

Parts List..... 4

Mounting Hardware..... 4

Features..... 5

Installing the Wall Plate..... 6

 Determining the Mounting Surface..... 6

 Wood Stud Installation..... 6

 Concrete Installation..... 7

Mounting Hardware..... 9

 Selecting the Mounting Hardware..... 9

 Universal Spacer Installation..... 10

 UFP-280 Adapter Plate Installation..... 10

Attaching the AM50 Mount to the Wall Plate..... 11

Securing the AM50 Mount..... 11

Attaching the Flat Panel to the AM50 Mount..... 12

Adjusting the AM50 Mount Tension..... 13

 Adjusting the Swingout Arm Tension..... 13

 Adjusting the Tilt/Pivot Tension..... 13

AM50 Cable Management..... 14

Technical Specifications..... 15













Warranty..... 16

Weight Limit

Maximum Flat Panel Weight: **50 lb.**

THE WALL STRUCTURE MUST BE CAPABLE OF SUPPORTING AT LEAST FOUR TIMES THE WEIGHT OF THE FLAT PANEL. IF NOT, THE WALL STRUCTURE MUST BE REINFORCED.

Warning Statements

-  PRIOR TO THE INSTALLATION OF THIS PRODUCT, THE INSTALLATION INSTRUCTIONS MUST BE READ AND COMPLETELY UNDERSTOOD. KEEP THESE INSTALLATION INSTRUCTIONS IN AN EASILY ACCESSIBLE LOCATION FOR FUTURE REFERENCE.
-  PROPER INSTALLATION PROCEDURE BY A QUALIFIED SERVICE TECHNICIAN MUST BE FOLLOWED, AS OUTLINED IN THESE INSTALLATION INSTRUCTIONS. FAILURE TO DO SO COULD RESULT IN PROPERTY DAMAGE, SERIOUS PERSONAL INJURY, OR EVEN DEATH.
-  SAFETY MEASURES MUST BE PRACTICED AT ALL TIMES DURING THE ASSEMBLY OF THIS PRODUCT. USE PROPER SAFETY EQUIPMENT AND TOOLS FOR THE ASSEMBLY PROCEDURE TO PREVENT PERSONAL INJURY.
-  PREMIER MOUNTS DOES NOT WARRANT AGAINST DAMAGE CAUSED BY THE USE OF ANY PREMIER MOUNTS PRODUCT FOR PURPOSES OTHER THAN THOSE FOR WHICH IT WAS DESIGNED OR DAMAGE CAUSED BY UNAUTHORIZED ATTACHMENTS OR MODIFICATIONS, AND IS NOT RESPONSIBLE FOR ANY DAMAGES, CLAIMS, DEMANDS, SUITS, ACTIONS OR CAUSES OF ACTION OF WHATEVER KIND RESULTING FROM, ARISING OUT OF OR IN ANY MANNER RELATING TO ANY SUCH USE, ATTACHMENTS OR MODIFICATIONS.
-  At least two qualified people should perform the assembly procedure. Personal injury and/or property damage can result from dropping or mishandling the flat panel.
-  If mounting to wall studs or ceiling studs, make sure that the mounting screws are anchored into the center of the wall studs or ceiling studs. Use of an edge-to-edge stud finder is recommended.
-  It is recommended that a maximum of 5/8" plaster board be used when mounting to wooden studs.
-  Be aware of the mounting environment. If drilling and/or cutting into the mounting surface, always make sure that there are no electrical wires in wall. Cutting or drilling into an electrical line may cause serious personal injury.
-  Make sure there are no water or natural gas lines inside the wall where the mount is to be located. Cutting or drilling into a water or gas line may cause severe property damage or personal injury.
-  This product is intended for indoor use only. Use of this product outdoors could lead to product failure and/or serious personal injury.
-  Do not install near sources of high heat. Do not install on a structure that is prone to vibration, movement or chance of impact.
-  This wall or ceiling mount is intended for use only with the maximum weights indicated. Use with products heavier than the maximum weights indicated may results in collapse of the mount and its accessories causing possible injury.



AVERTISSEMENT



AVANT L'INSTALLATION DE CE PRODUIT, LES CONSIGNES D'INSTALLATION DOIVENT ÊTRE LUES ET PLEINEMENT COMPRISES. CONSERVER CES CONSIGNES D'INSTALLATION DANS UN ENDROIT FACILEMENT ACCESSIBLE POUR RÉFÉRENCE FUTURE.



LA PROCÉDURE D'INSTALLATION CORRECTE PAR UN TECHNICIEN QUALIFIÉ DOIT ÊTRE OBSERVÉE, COMME DÉCRIT DANS CES CONSIGNES D'INSTALLATION. FAUTE DE QUOI DES DOMMAGES MATÉRIELS, BLESSURES GRAVES, VOIRE MÊME LA MORT PEUT SUBVENIR.



DES MESURES DE SÉCURITÉ DOIVENT ÊTRE PRATIQUÉES À TOUT MOMENT DURANT L'ASSEMBLAGE DE CE PRODUIT. UTILISER L'ÉQUIPEMENT ET OUTILS DE SÉCURITÉ APPROPRIÉ POUR LA PROCÉDURE D'ASSEMBLAGE AFIN D'ÉVITER DES BLESSURES.



LES SUPPORTS PREMIER MOUNTS NE GARANTISSENT PAS CONTRE LES DOMMAGES CAUSÉS PAR L'USAGE DU PRODUIT DE MONTAGE PREMIER MOUNTS À D'AUTRES FINS QUE CELLES POUR LESQUELLES IL A ÉTÉ CONÇU OU DES DOMMAGES CAUSÉS PAR DES ACCESSOIRES OU DES MODIFICATIONS NON AUTORISÉS, ET NOUS NE POUVONS PAS ÊTRE TENUS RESPONSABLES DES DOMMAGES, PLAINTES, RÉCLAMATIONS, POURSUITES, ACTIONS OU CAUSES D'ACTION DE N'IMPORTE QUELLE MANIÈRE RÉSULTANT DE, DÉCOULANT DE OU TOUCHANT DE N'IMPORTE QUELLE MANIÈRE UN TEL USAGE, ACCESSOIRE OU MODIFICATION



Au moins deux personnes qualifiées devraient exécuter la procédure d'assemblage. Il pourrait subvenir des blessures et/ou des dommages matériels dû à la chute ou à la manipulation incorrecte de l'écran plat.



Si le montage s'effectue sur des rivets, assurez-vous que les vis de montage sont ancrées au centre des rivets. L'usage d'un détecteur de rivet bord-à-bord est recommandé.



Il est recommandé qu'un maximum de plaque-plâtre de 5/8" soit utilisé lors d'un montage sur des rivets à bois.



Familiarisez-vous avec l'environnement de montage. Si un perçage et/ou une coupe est opéré sur la surface de montage, assurez-vous toujours qu'il n'y a pas de fils électriques dans le mur. Couper/percer dans une installation électrique peut causer des blessures graves.



S'assurer qu'il n'y a pas de canalisation d'eau à l'intérieur du mur où le montage doit être localisé. Une coupe/perçage dans une canalisation d'eau peut causer sérieusement endommager le circuit d'eau au niveau de la surface de montage.



Ce produit n'est destiné qu'à être utilisé à l'intérieur. L'utilisation de ce produit à l'extérieur pourrait entraîner des défauts matériels et/ou des blessures graves.








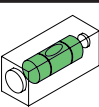
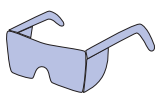

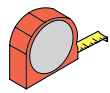

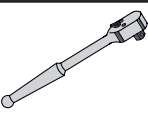
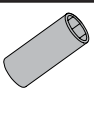
Ne pas installer près de sources de forte chaleur. Ne pas installer sur une structure soumise aux vibrations, aux mouvements ou aux chocs.



Ce montage de mur ou de plafond n'est destiné qu'aux poids maximum indiqués. Utiliser les produits plus lourds que les poids maximum indiqués risque de causer la chute du montage et ses accessoires causant préjudices.

Installation Tools

The following tools may be required, dependent upon your particular installation. These tools are not provided by Premier Mounts, but you can purchase them at your local hardware store.

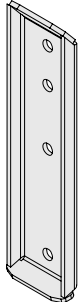
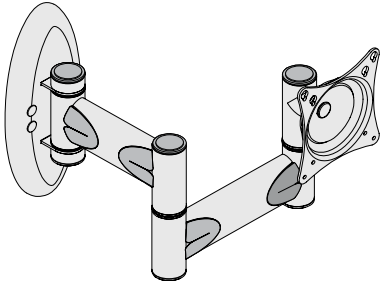
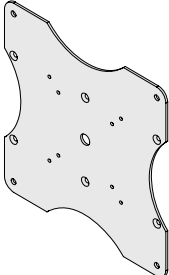
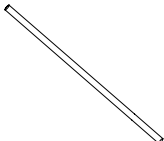
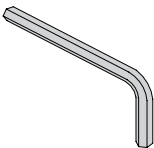
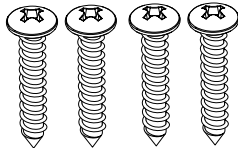
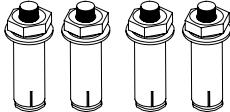
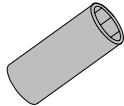
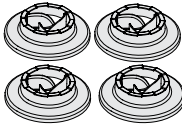
					
Electronic Stud Finder	Hand Held Drill	1/8" Wood Drill Bit	5/16" Concrete Drill Bit	Pencil	Level
					
Protective Eyewear	Hammer**	Tape Measure	Phillips Tip Screwdriver	Socket Wrench	M10 Socket**


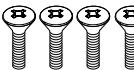
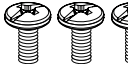
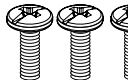
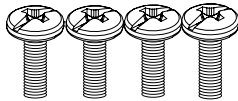
** Optional tools for concrete installations.

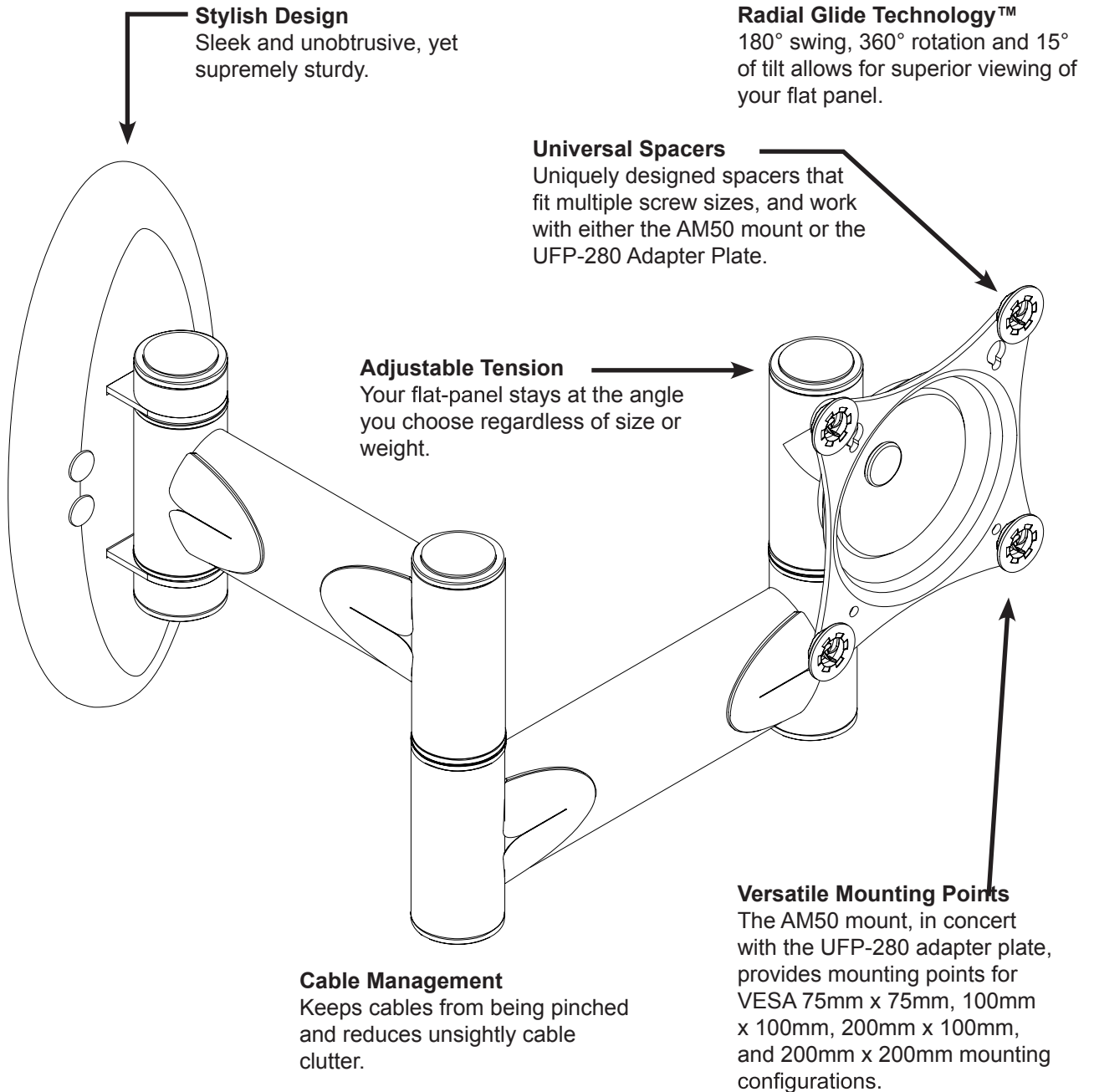


Parts List

Your Premier Mounts product is shipped with all proper installation hardware and components. Make sure that none of these parts are missing and/or damaged before beginning installation. If there are parts missing and/or damaged, please stop the installation and contact Premier Mounts (800) 368-9700.

AM50 / AM50-B Articulating Swingout Arm Components		
 Wall Plate (Qty 1)	 Articulating Swingout Arm (Qty 1)	 UFP-280 Adapter Plate (Qty 1)
 Thread Depth Indicator (Qty 1)	 M3 Allen Wrench (Qty 1)	 #14 x 2" Wood Screws (Qty 4)
 5/16" Concrete Wedge Anchors (Qty 4)	 14mm Socket (Qty 1)	 Universal Spacers (Qty 4)

Mounting Hardware	
M4 x 10mm Flat Head Screw (Qty 6)	 M4 x 5mm Screw (Qty 4)
M4 x 12mm Flat Head Screw (Qty 6)	 M4 x 10mm Screw (Qty 4)
M6 x 12mm Screw (Qty 4)	 M4 x 12mm Screw (Qty 4)
M6 x 20mm Screw (Qty 4)	 M8 x 12mm Screw (Qty 4)
	 M8 x 20mm Screw (Qty 4)

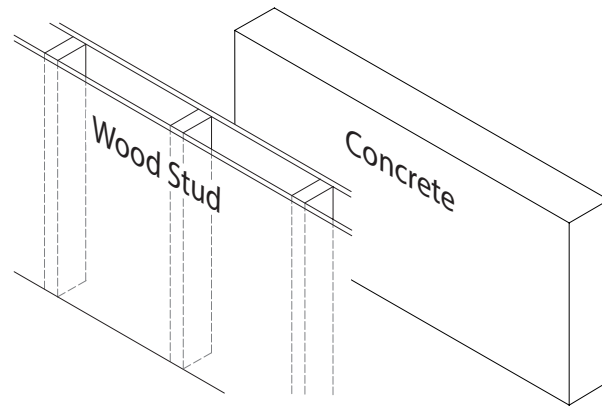


Installing the Wall Plate

Determining the Mounting Surface

If you will be installing your AM50 mount to wood studs, proceed to the “Wood Stud Installation” section.

If you will be installing your AM50 mount to a concrete wall, proceed to the “Concrete Installation” section.



Wood Stud Installation

Step 1



Minimum of 2 by 4 wood stud to be used



Minimum de 2 par 4 bois goujon pour être utilisé

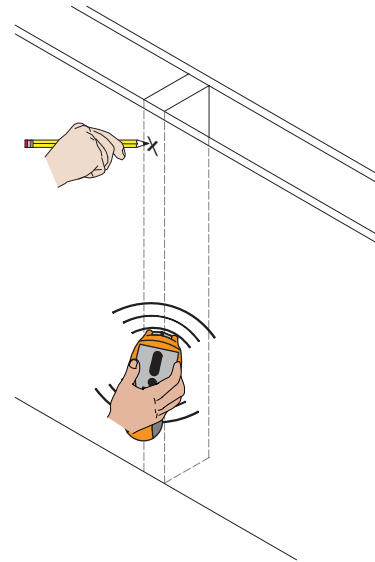


You must secure the wall plate to the wall stud with all four (4) #14 x 2" wood screws.



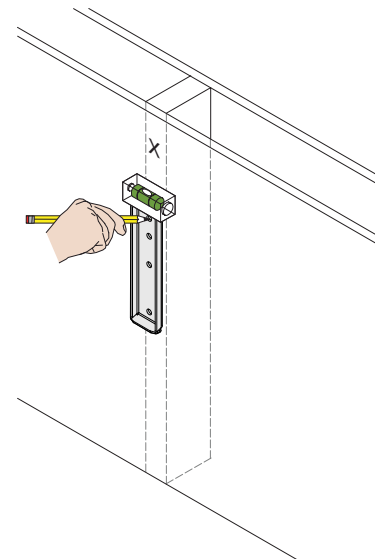
Vous devez assembler la sablière sur le rivet à bois avec tous les quatre (4) vis à bois de #14 x 2".

- 1) Use a stud finder to determine the exact center of wall studs in the vicinity of the wall plate.
- 2) Use a pencil to mark the exact center of the wall stud where you will be installing your AM50 mount.



Step 2

- 1) Place the wall plate against the wall in the desired viewing location.
- 2) Adjust the wall plate to align the mounting points in the wall plate with the center of the wall stud.
- 3) Level the wall plate.
- 4) Use a pencil to mark all four (4) mount locations along the center of the wall stud.



Installing the Wall Plate (cont'd)

Step 3

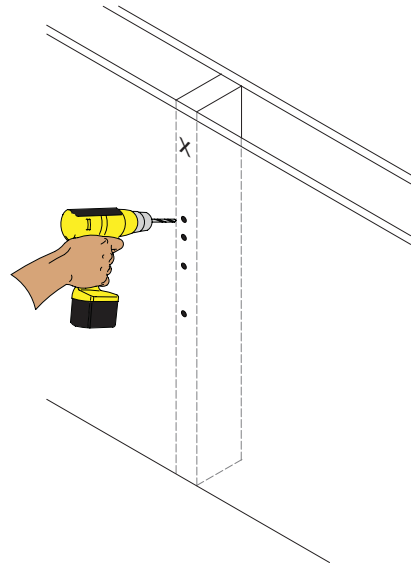
Drill four (4) holes in the center of each of the marks using a power drill and a 1/8" drill bit.



Only use a 1/8" drill bit when drilling the holes.



N'utiliser qu'un foret de 1/8" lors du forage des trous.



Step 4

- 1) Place the wall plate against the wall and align it with the holes.
- 2) Insert one (1) #14 x 2" wood screw into each of the mounting holes and tighten using a Phillips screwdriver.

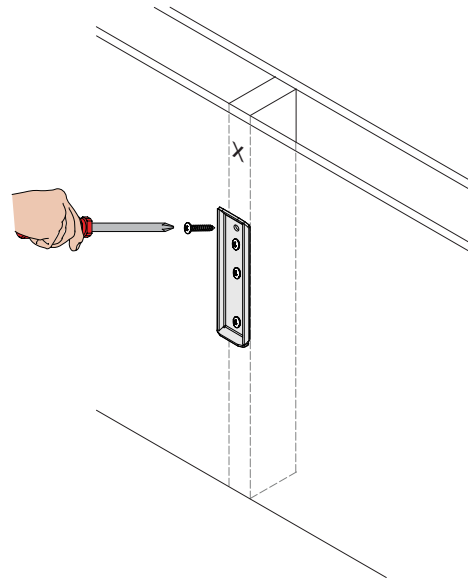


Do not overtighten the wood screws.



Éviter de trop serrer les vis à bois.

Proceed to the "Mounting Hardware" section.



Concrete Installation

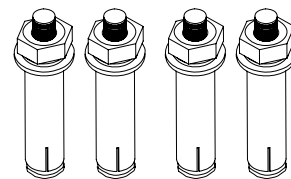


The supplied (4) 5/16" concrete wedge anchors must be used for concrete installation. The anchor should have a 5/16" shaft and 1/4" threading.

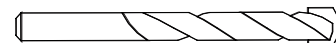


Les ancrés de cale en béton de 5/16" fournies doivent être utilisées pour l'installation du béton.

You will need a 5/16" concrete drill bit, which is available at your closest hardware store.



Concrete Wedge Anchors

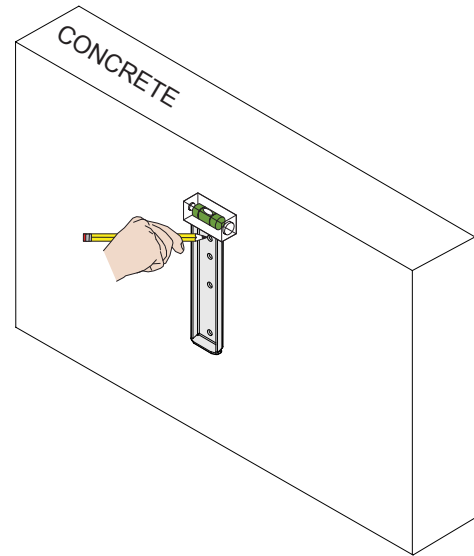


Example of 5/16" concrete Drill Bit (Not Included)

Installing the Wall Plate (cont'd)

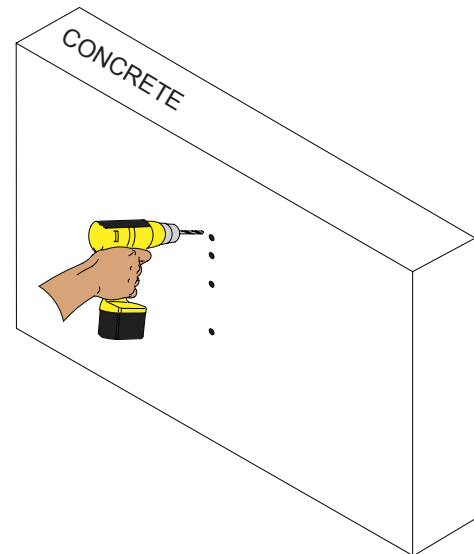
Step 1

- 1) Place the wall plate against the wall in the desired viewing location.
- 2) Level the wall plate.
- 3) Use a pencil and mark all four (4) mounting locations where you will be drilling holes for the concrete wedge anchors.
- 4) Set the wall plate to one side in a safe location.



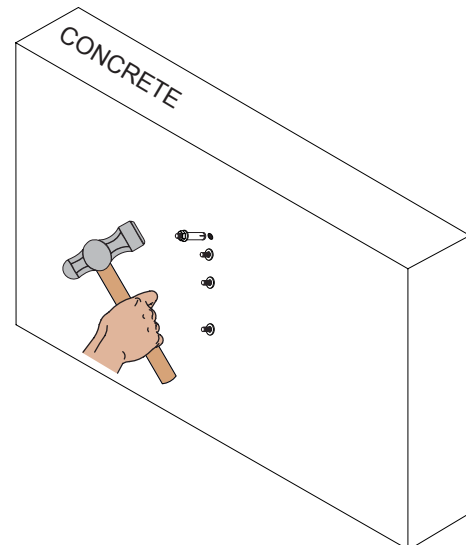
Step 2

Use a power drill and 5/16" masonry drill bit to drill a hole at each of the marks.



Step 3

- 1) Insert a concrete wedge anchor into each hole.
If necessary, lightly tap each concrete wedge anchor into place with a hammer.
- 2) Remove the nuts and washers from all four (4) concrete wedge anchors.



Installing the Wall Plate (cont'd)

Step 4

- 1) Place the wall plate against the wall over the threaded shafts of the concrete wedge anchors.
- 2) Attach the nuts and washers to each of the concrete wedge anchors and tighten using a socket wrench and an M10 socket.

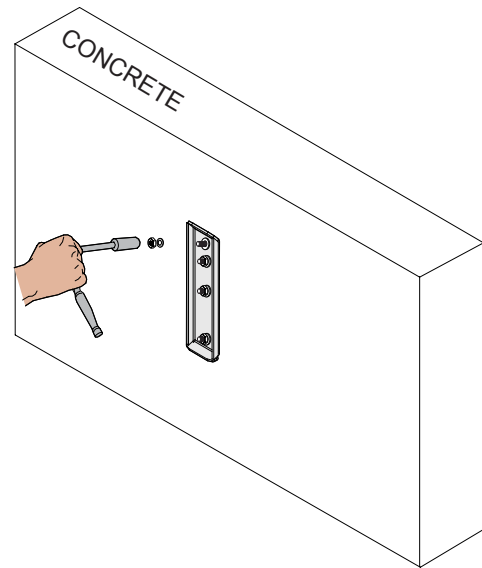


Do not overtighten the wedge anchor nuts.



Éviter de trop serrer les écrous de l'ancre de cale.

Proceed to the "Mounting Hardware" section.



Mounting Hardware

Selecting the Mounting Hardware

- Insert a small straw or toothpick into the threaded inserts found on the back of the flat panel.
- Use a pencil to mark the depth of the threaded insert on the small straw or toothpick.
- Mark the straw or toothpick 1/8" above the depth of the threaded insert, as shown in Figure 1.
- Insert the small straw or toothpick into the remaining threaded inserts to compare and verify their depth using the straw or toothpick's 1/8" allowance mark.
- Locate the correct diameter screw for the threaded insert.



If the screw you selected is longer than the 1/8" allowance mark on the small straw or toothpick, as shown in Figure 2 and Figure 3, do not use this screw. The screw length must not bypass the mark.



Si la vis que vous sélectionnez est plus longue que la marque de 1/8" sur le paille ou le cure-dents, comme illustré sur le schéma 2 et le schéma 3, veuillez ne pas utiliser cette vis. La longueur de la vis doit dévier la marque.

- ◆ Test each size of the screws provided.

The correct screws should thread easily into the mounting point and not pull out when tension is applied.

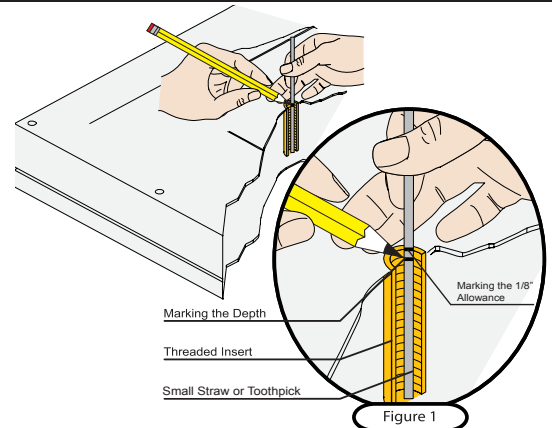


Figure 1

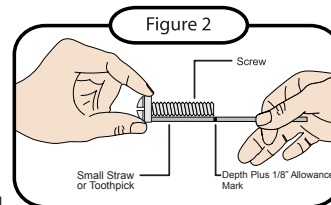


Figure 2

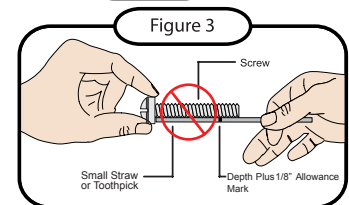


Figure 3



Does your flat panel have:

- Recessed mounting points?
- Uneven mounting points?
- A curved back?
- Any obstruction near the mount point?

If **Yes**, you must install Universal Spacers. Proceed to the "Universal Spacer Installation" section.

If **No**, skip to the "UFP-280 Adapter Plate Installation" section.



Votre écran plat est-il muni de :

- Points de montage encastrés ?
- Points de montage inégaux ?
- Un plan arrière arrondi ?
- Une obstruction à l'emplacement du point d'assemblage ?


Si **Oui**, il vous faut installer des entretoises tous usages. Aller à la section « Installation d'entretoise tous usages ».


Si **Non**, aller directement à la section « Installation de la plaque d'adaptateur UFP-280 ».

Mounting Hardware (cont'd)


Universal Spacer Installation

Premier Mounts' Universal Spacers allow you to attach the mounting bracket to flat panels which have recessed or uneven mounting points. Each Universal Spacer adds 1/4" to the distance between the Adapter Plate and your flat panel.

 The Universal Spacers must be stacked and oriented as shown.

 The Universal Spacers must only be installed between the Adapter Plate and your flat panel.

The Universal Spacers will fit M4, M5, M6 and M8 screw sizes.


 Does your flat panel have:


- 75mm x 75mm VESA mounting points or 100mm x 100mm VESA mounting points?

Proceed to the "**Attaching the AM50 Mount to the Wall Plate**" section.


- 100mm x 200mm mounting points or 200mm x 200mm mounting points?

Proceed to the "**UFP-280 Adapter Plate Installation**" section.

 The Universal Spacers must be stacked and oriented as shown.

 The Universal Spacers must only be installed between the Adapter Plate and your flat panel.

The Universal Spacers will fit M4, M5, M6 and M8 screw sizes.

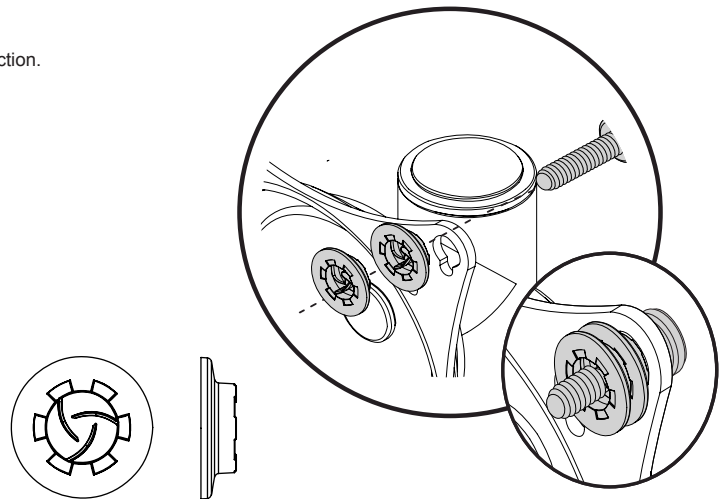
 Does your flat panel have:

- Points d'assemblage VESA de 75 mm x 75 mm VESA ou points d'assemblage VESA de 100 mm x 100 mm ?

Passer à la section « **Fixation du montage AM50 sur la paroi murale** ».

- Points d'assemblage de 100 mm x 200 mm ou points d'assemblage de 200 mm x 200 mm ?

Passer à la section « **Installation de la plaque de l'adaptateur UFP-280** ».



UFP-280 Adapter Plate Installation

The UFP-280 LCD Mount Adapter is used to attach flat panels with 200mm X 100mm and 200mm x 200mm mount point patterns to the AM50 mount.

- 1) Determine which mounting points will be used.

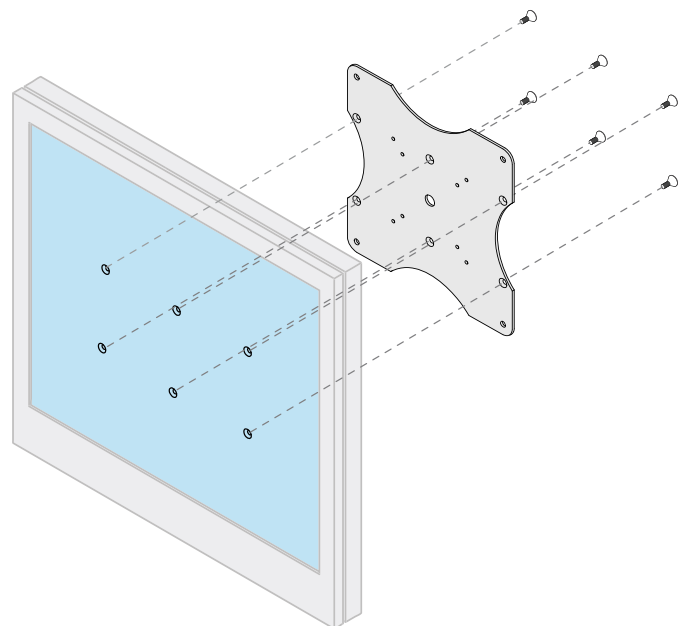
Refer to the "**Technical Specifications**" section for UFP-280 Adapter Plate mount point patterns.

- 2) Place your monitor face-down on a soft and flat surface.
- 3) Secure the UFP-280 Adapter Plate to the back of the monitor using the following hardware:
 - If you are using the 100mm X 200mm mounting points, you must use the M4 x 10mm Flat Head screws to secure the UFP-280 Adapter Plate to the flat panel.
 - If you are using the 200mm x 200mm mounting points...

...and you selected M4 screws from the "**Selecting the Mounting Hardware**" section, you must also use M4 flat washers.

...and you selected M5 screws from the "**Selecting the Mounting Hardware**" section, you must also use M5 flat washers.

Proceed to the "**Attaching the AM50 Mount to the Wall Plate**" section.



Attaching the AM50 Mount to the Wall Plate

Your AM50 mount must be attached to the back plate that is secured to the wall. The back of your AM50 mount has a built-in bracket designed to “hang” on the wall plate.

- 1) Lift your AM50 mount up to the wall plate.
- 2) Slide the top of the AM50 mount on to the top of the wall bracket.
- 3) Pivot the bottom of the AM50 mount towards the wall plate until it rests against the wall.

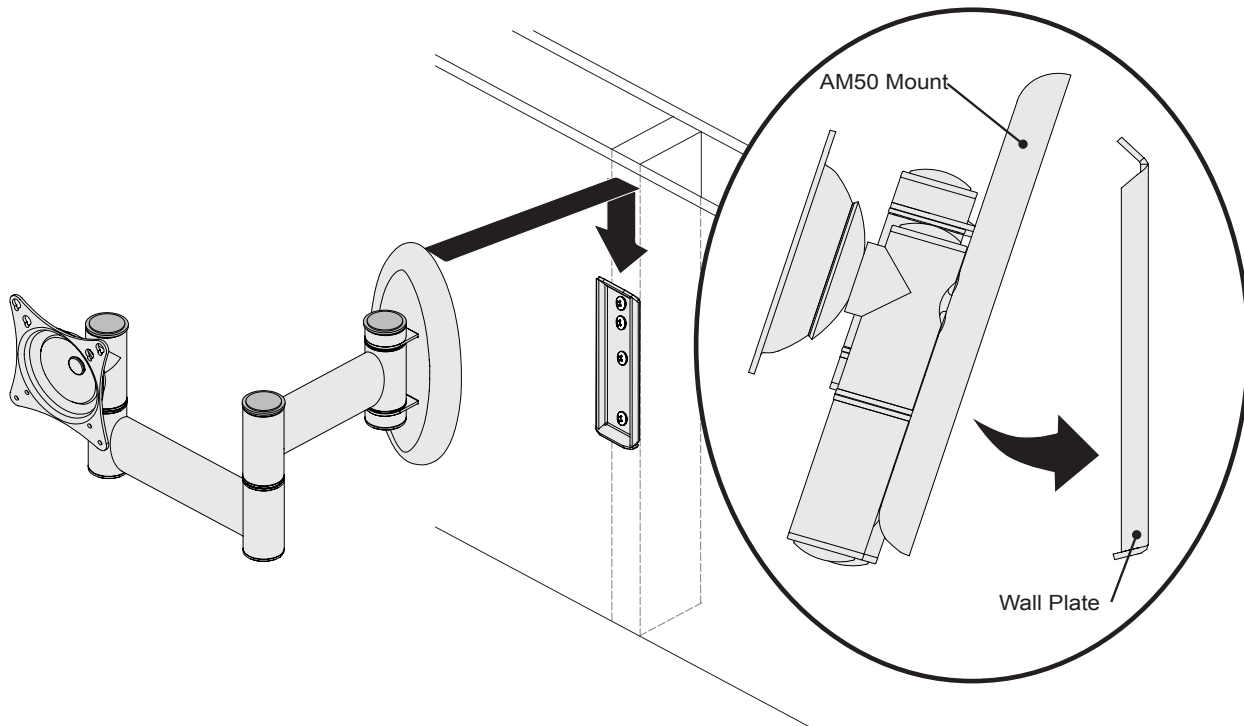


Do not release the AM50 mount until you are certain that it is resting securely on the wall plate.



Éviter de relâcher le support AM50 jusqu'à ce que vous vous assuriez qu'il est bien posé sur la sablière.

Proceed to the “**Securing the AM50 Mount**” section.



Securing the AM50 Mount

Use the supplied M3 Allen wrench to tighten the M6 x 35mm set screw located in the bottom of the AM50 mount. The M6 x 35mm set screw prevents your flat panel from being accidentally dislodged.

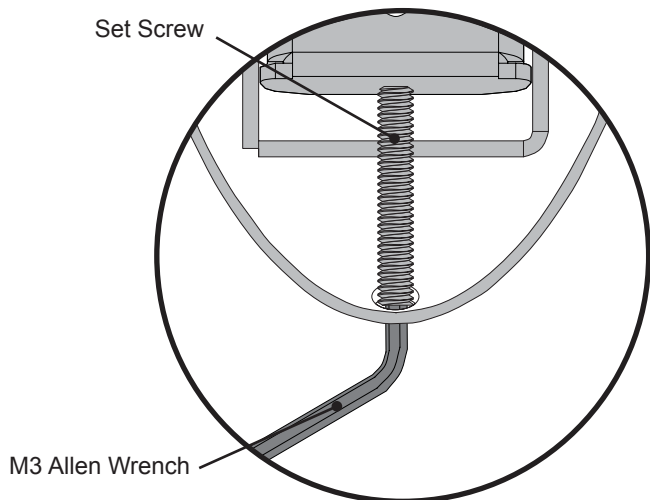


Do not overtighten the set screw.



Éviter de trop serrer la vis de réglage.

Proceed to the “**Attaching the Flat Panel to the AM50 Mount**” section.



Attaching the Flat Panel to the AM50 Mount

- 1) Insert two (2) M4 screws into the top two mounting points of your flat panel or UFP-280 Adapter Plate. Thread the M4 screws to one-half of their length into the flat panel or UFP-280 Adapter Plate, but do not tighten the M4 screws at this time.



length of the M4 screws are dependent upon whether or not you are using the UFP-280 Adapter Plate, as shown below. Make certain you use the correct length for your specific installation.



La longueur des vis M4 sont fonction de votre choix d'utiliser la plaque d'adaptateur UFP-280 ou non, comme illustré ci-dessous. Assurez-vous d'utiliser la longueur appropriée pour votre installation spécifique.

If you are using the UFP-280 Adapter Plate, use the B mounting points. Refer to the “**Technical Specifications**” section for UFP-280 Adapter Plate mounting points.

- 2) Insert the heads of the M4 screws through the keyhole slots.
- 3) Insert two (2) M4 screws, of the proper length for your installation, into the bottom mounting points.
- 4) Tighten all M4 screws.



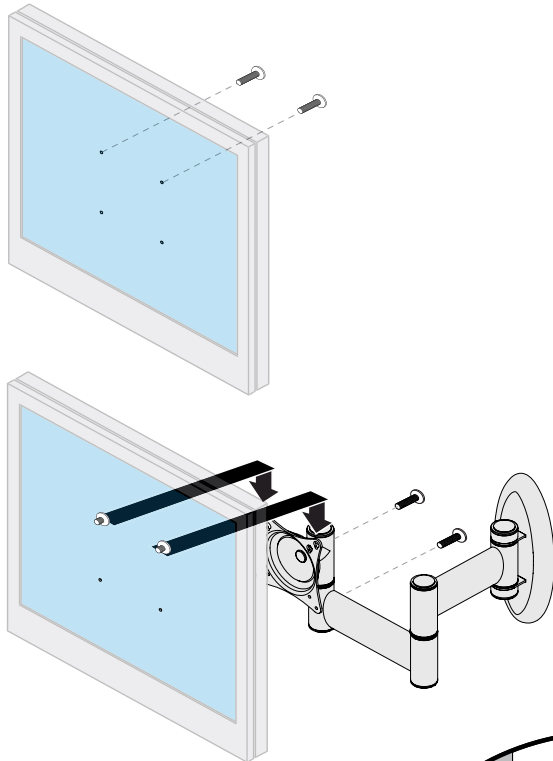
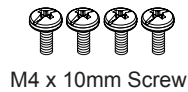
Do not overtighten the mounting hardware.



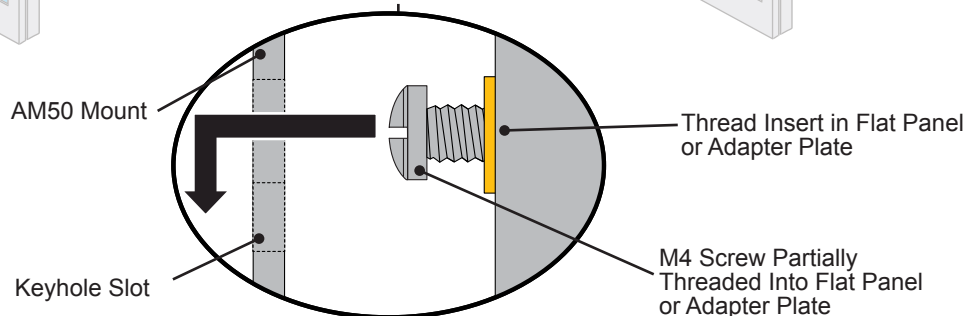
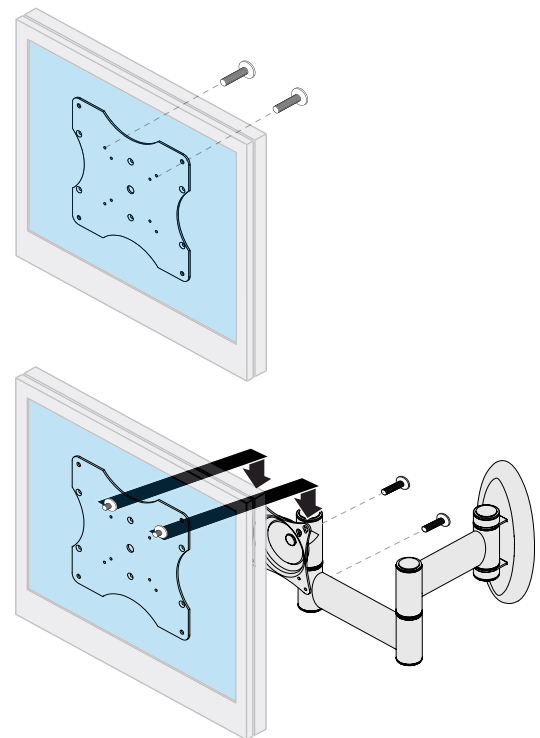
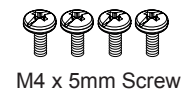
Éviter de trop serrer le dispositif de montage.

Proceed to the “**Adjusting the AM50 Mount Tension**” section.

Flat Panel without UFP-280 Adapter Plate



Flat Panel with UFP-280 Adapter Plate



Adjusting the AM50 Mount Tension

Adjusting the Swingout Arm Tension


Your AM50 Articulating Swingout Arm ships from the factory pre-tensioned. However, you can make fine-tune adjustments to how much pressure is required to move each section of the swingout arm by adjusting the three joint tension nuts.


- 1) Remove the plastic joint caps from the bottom of each of the swingout arm joints.
- 2) Use a socket wrench and the supplied 14mm socket to loosen or tighten the joint tension nut located on the underside of each swingout arm joint.

Turn the joint tension nut clockwise to increase tension.


Turn the joint tension nut counter-clockwise to decrease tension.

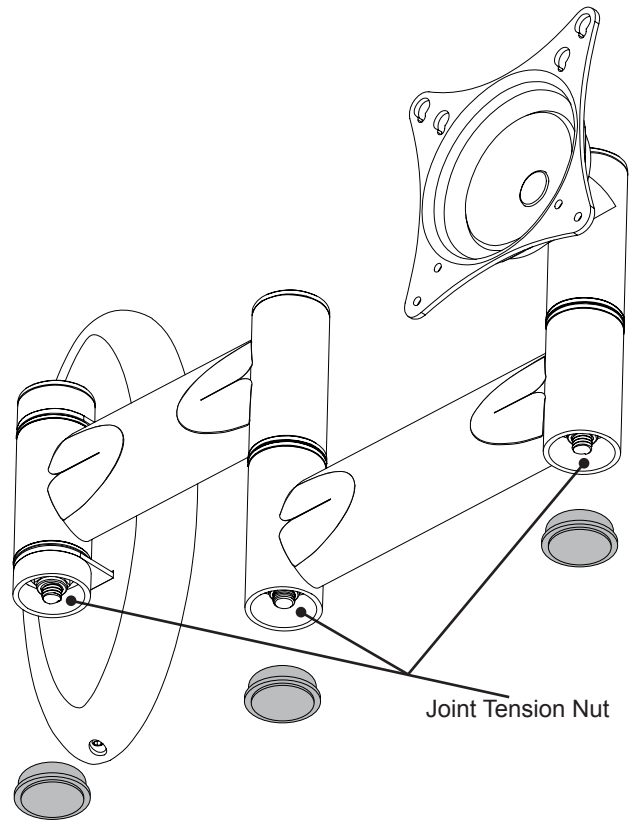
 Do not overtighten the joint tension nuts.

 Éviter de trop serrer les écrous de tension du joint.

 Do not completely remove the joint tension nuts.

 Éviter d'enlever complètement les écrous de tension du joint.

 Replace the plastic joint caps.




Adjusting the Tilt/Pivot Tension


You can adjust the tension of the Radial Glide™ flat panel attachment head by adjusting the tilt/pivot tension nut.


- 1) Remove the plastic tilt/pivot cap on the back of the tilt/pivot head.
- 2) Use a socket wrench and the supplied 14mm socket to loosen or tighten the tilt/pivot tension nut.


Turn the tilt/pivot tension nut clockwise to increase tension.


Turn the tilt/pivot tension nut counter-clockwise to decrease tension.


 **Caution!** Loosening the tilt/pivot tension nut too much may cause the flat panel to suddenly tilt forward.

 **Attention !** Trop desserrer l'écrou de tension d'inclinaison/pivotement risque de provoquer une inclinaison brutale de l'écran plat.

 Do not overtighten the tilt/pivot tension nut.

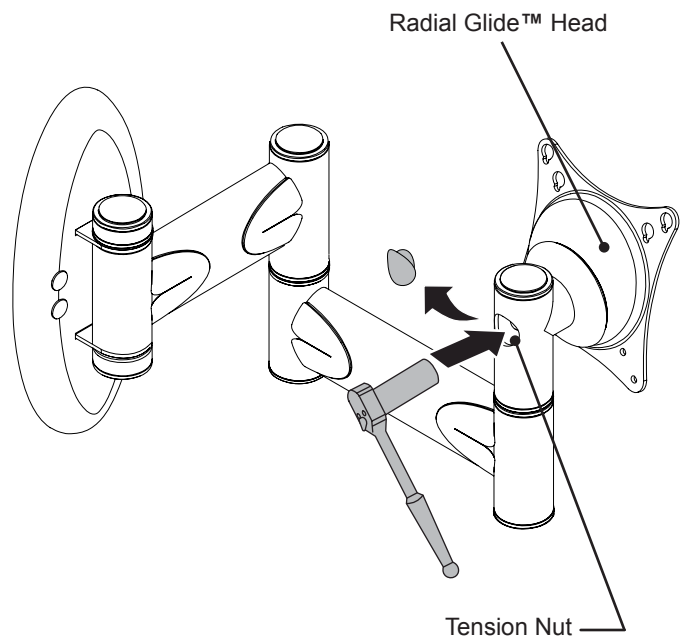
 Éviter de trop serrer l'écrou de tension d'inclinaison/pivotement.

 Do not completely remove the tilt/pivot tension nut.

 Éviter d'enlever complètement l'écrou de tension d'inclinaison/pivotement.

 Replace the plastic tilt/pivot cap.

Proceed to the "AM50 Cable Management" section.

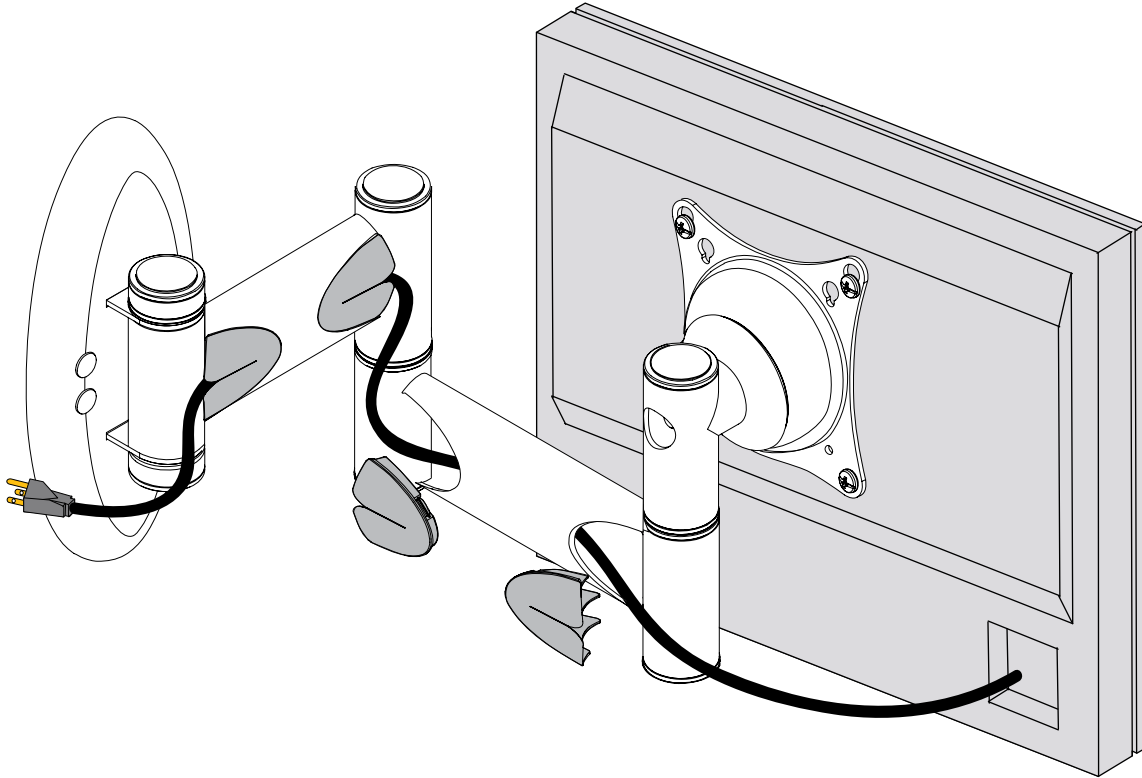


AM50 Cable Management

Your AM50 features built-in cable management.

- 1) Remove the four plastic covers.
- 2) Route power or signal cables as shown.
- 3) Replace the four plastic covers.

The V-shape in the plastic covers allows power and signal cables to emerge from your AM50 while still maintaining a clean appearance.



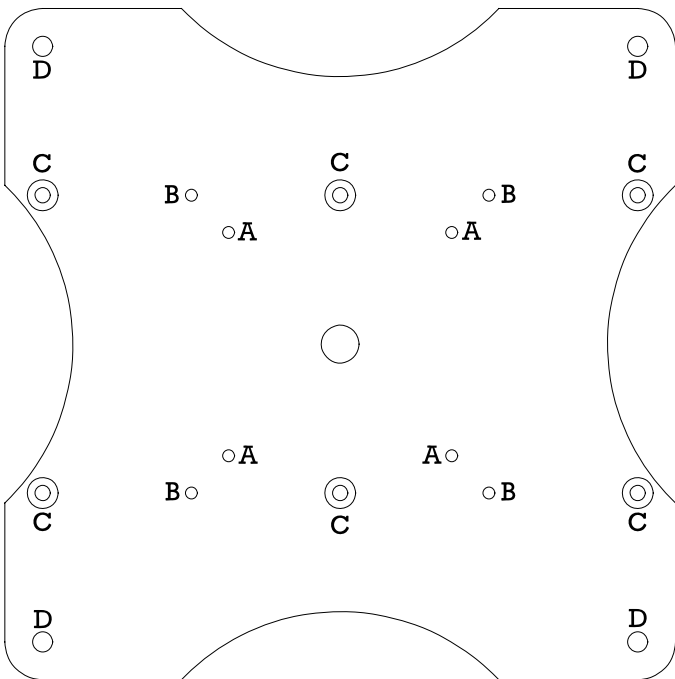
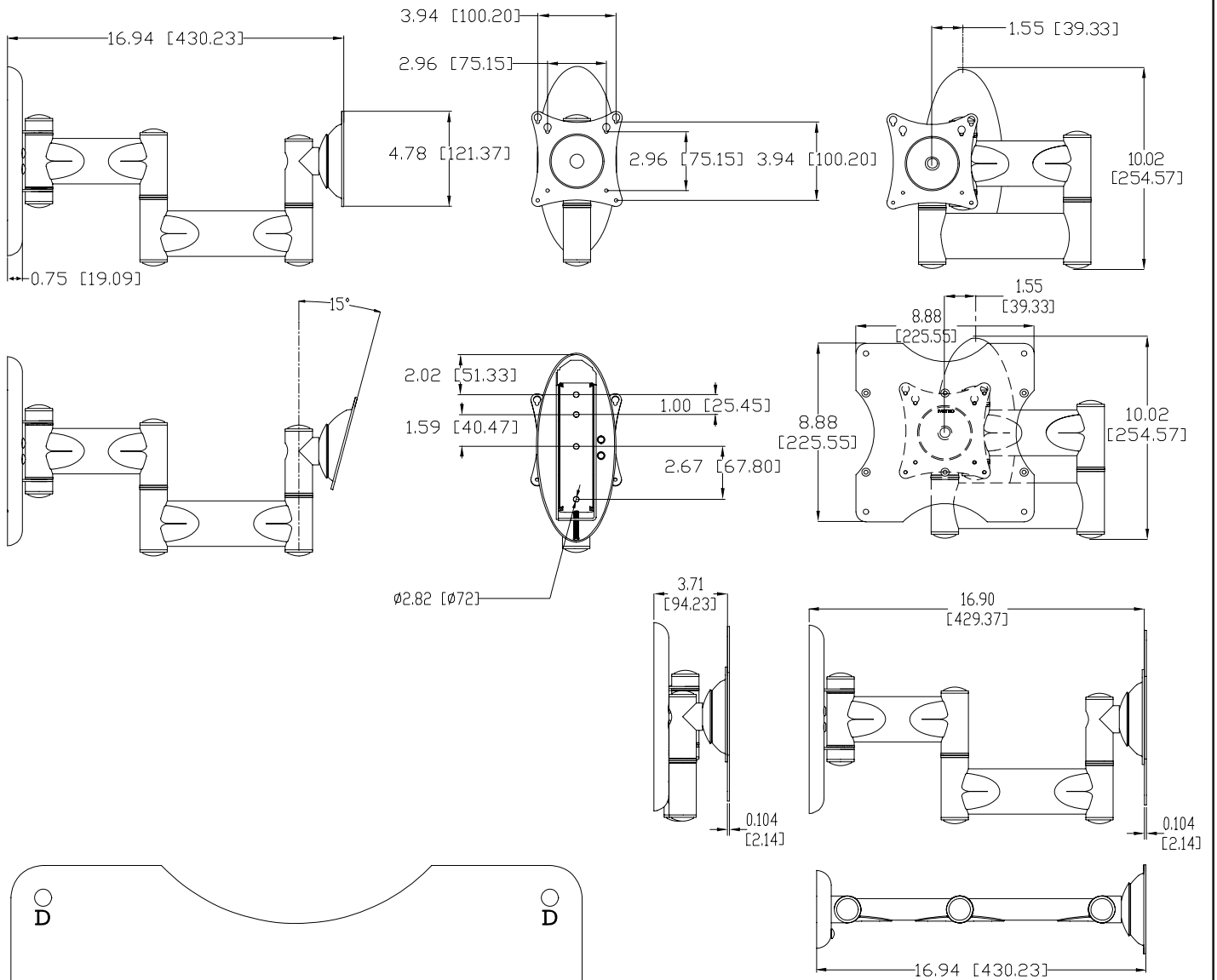
©PREMIER MOUNTS
500 W Central Ave, Suite A
Brea, CA 92821

USA & CANADA
Phone: 800-368-9700
Fax: 800-832-4888
e. orders@premiermounts.com



Technical Specifications

All measurements are in inches [millimeters].



- A: 75mm x 75mm VESA mounting points.
- B: 100mm x 100mm VESA mounting points.
- C: 100mm x 200mm mounting points.
(M4 x 10mm Flat Head screws only)
- D: 200mm x 200mm mounting points.
(If M4 screws are used, M4 washers must be used as well)
(If M5 screws are used, M5 washers must be used as well)

Warranty

PREMIER MOUNTS LIMITED LIFETIME WARRANTY

What and Who is Covered by this Limited Warranty and for How Long

Premier Mounts warrants this product to be free from defects in material and workmanship for the lifetime of the original owner of this product. The limited warranty is valid only for the original purchaser of the product.

What Premier Mounts Will Do

At the sole option of Premier Mounts, Premier Mounts will repair or replace any product or product part that is defective. If Premier Mounts chooses to replace a defective product or part, a replacement product or part will be shipped to you at no charge, but you must pay any labor costs.

What is Not Covered; Limitations

PREMIER MOUNTS DISCLAIMS ANY LIABILITY FOR DAMAGE TO MOUNTS, ADAPTERS, DISPLAYS, PROJECTORS, OTHER PROPERTY, OR PERSONAL INJURY RESULTING, IN WHOLE OR IN PART, FROM IMPROPER INSTALLATION, MODIFICATION, USE OR MISUSE OF ITS PRODUCTS.

NOTWITHSTANDING ANYTHING TO THE CONTRARY IN THIS WARRANTY, THIS WARRANTY IS LIMITED TO FIVE YEARS FROM THE DATE OF PURCHASE IN THE EVENT THAT THE WARRANTED PRODUCT IS COMMERCIALY RENTED OUT.

Electrical products and components, such as amplifiers, speakers, motors, switches remote controls and related electrical items, are backed by a 3-year warranty.

PREMIER MOUNTS DISCLAIMS ALL OTHER WARRANTIES, EXPRESS OR IMPLIED, INCLUDING WARRANTIES OF MERCHANTABILITY AND FITNESS FOR A PARTICULAR PURPOSE. PREMIER MOUNTS IS NOT RESPONSIBLE FOR INCIDENTAL OR CONSEQUENTIAL DAMAGES, INCLUDING BUT NOT LIMITED TO, INABILITY TO USE ITS PRODUCTS OR LABOR COSTS FOR REMOVING AND REPLACING DEFECTIVE PRODUCTS OR PARTS. SOME STATES DO NOT ALLOW THE EXCLUSION OR LIMITATION OF INCIDENTAL OR CONSEQUENTIAL DAMAGES, SO THE ABOVE LIMITATION OR EXCLUSION MAY NOT APPLY TO YOU.

What Customers Must Do for Limited Warranty Service

If you discover a problem that you think may be covered by the warranty you MUST REPORT it in writing to the address below within thirty (30) days. Proof of purchase (an original sales receipt) from the original consumer purchaser must accompany all warranty claims. Warranty claims must also include a description of the problem, the purchaser's name, address, and telephone number. General inquiries can be addressed to Premier Mounts Customer Service at 1-800-368-9700. Warranty claims will not be accepted over the phone or by fax.

PREMIER MOUNTS

ATTN: Warranty Claims
500 W Central Ave, Suite A
Brea, CA 92821

How State Law Applies

THIS WARRANTY GIVES YOU SPECIFIC LEGAL RIGHTS, AND YOU MAY ALSO HAVE OTHER RIGHTS WHICH VARY FROM STATE TO STATE.

Disclaimer

Premier Mounts intends to make this manual accurate and complete. However, Premier Mounts makes no claim that the information contained herein covers all details, conditions or variations, nor does it provide for every possible contingency in connection with the installation or use of this product. The information contained in this document is subject to change without notice or obligation of any kind. Premier Mounts makes no representation of warranty, expressed or implied, regarding the information contained herein. Premier Mounts assumes no responsibility for accuracy, completeness or sufficiency of the information contained in this document.

©PREMIER MOUNTS
500 W Central Ave, Suite A
Brea, CA 92821

USA & CANADA
Phone: 800-368-9700
Fax: 800-832-4888
e. orders@premiermounts.com

