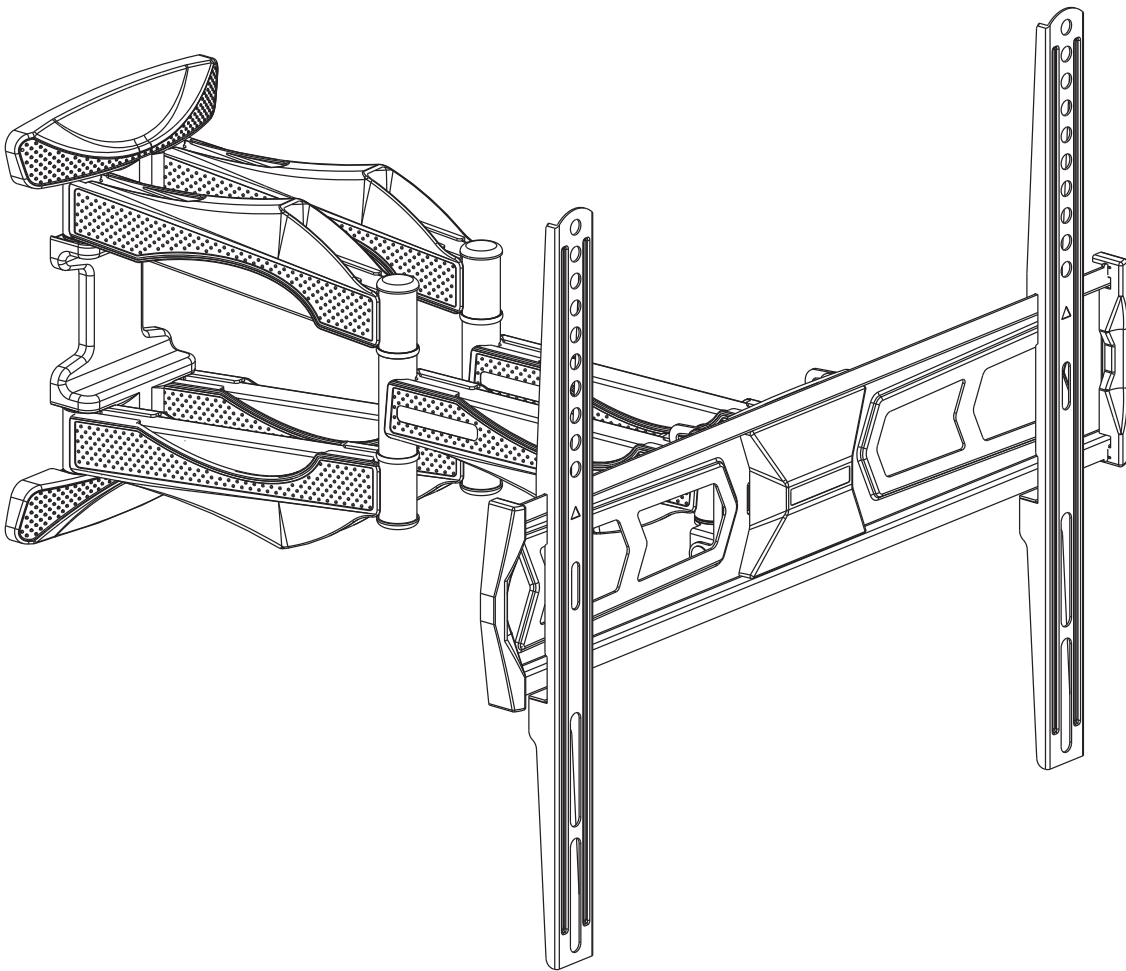


AM65

Installation Guide

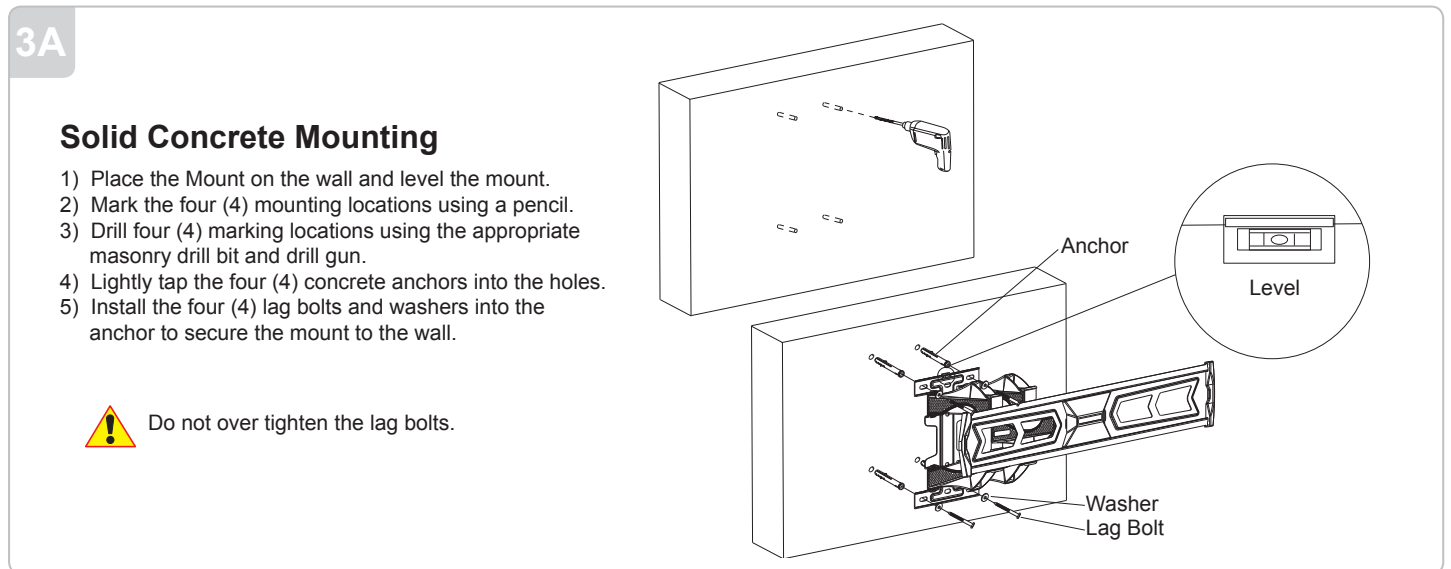
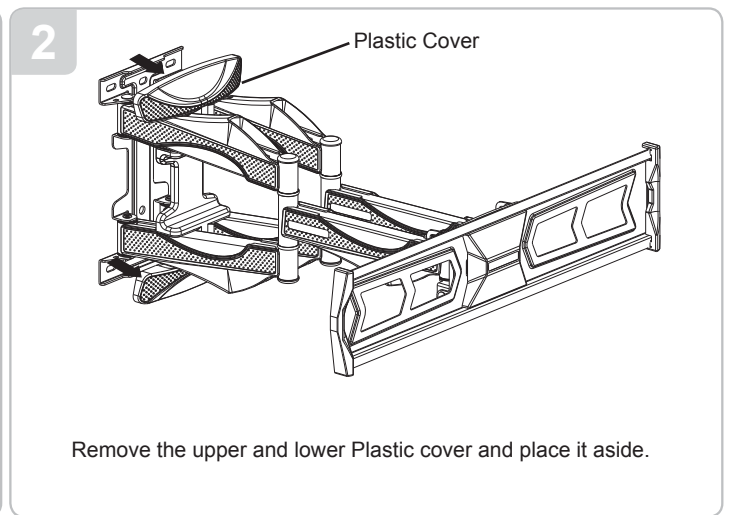
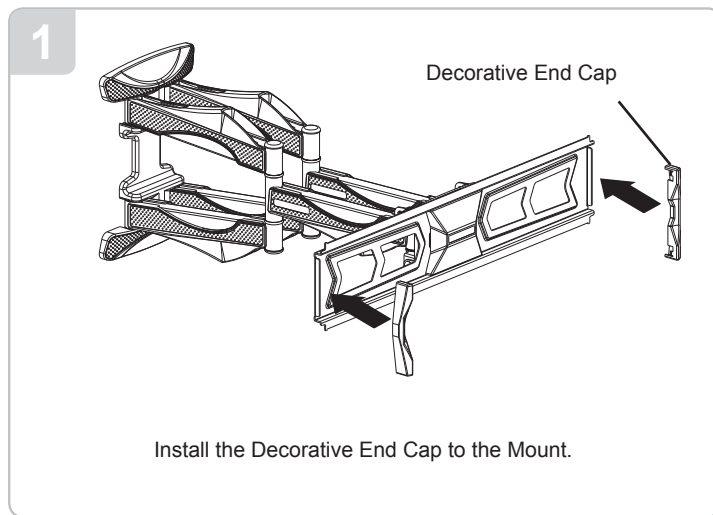
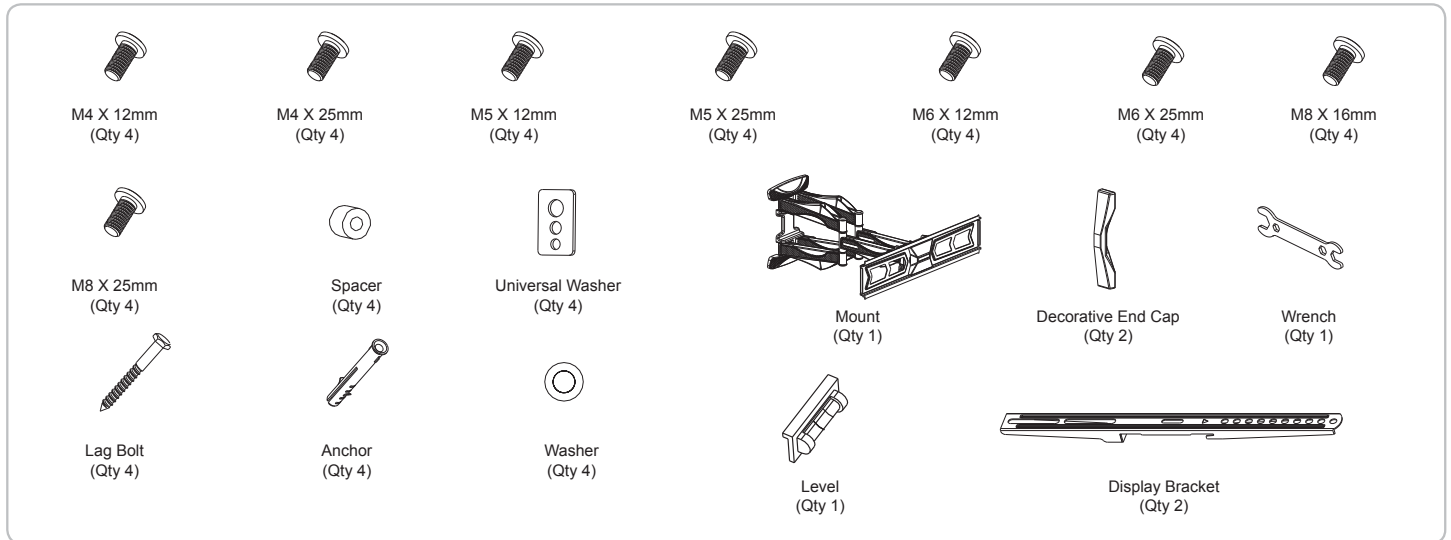


premiermounts.com | p. 800.368.9700 | e. orders@premiermounts.com
500 W Central Ave, Suite A, Brea, CA 92821 USA

AM65 Installation Guide

Included Components:

Maximum Flat Panel Weight:
65 lb. / 29.5 kg.



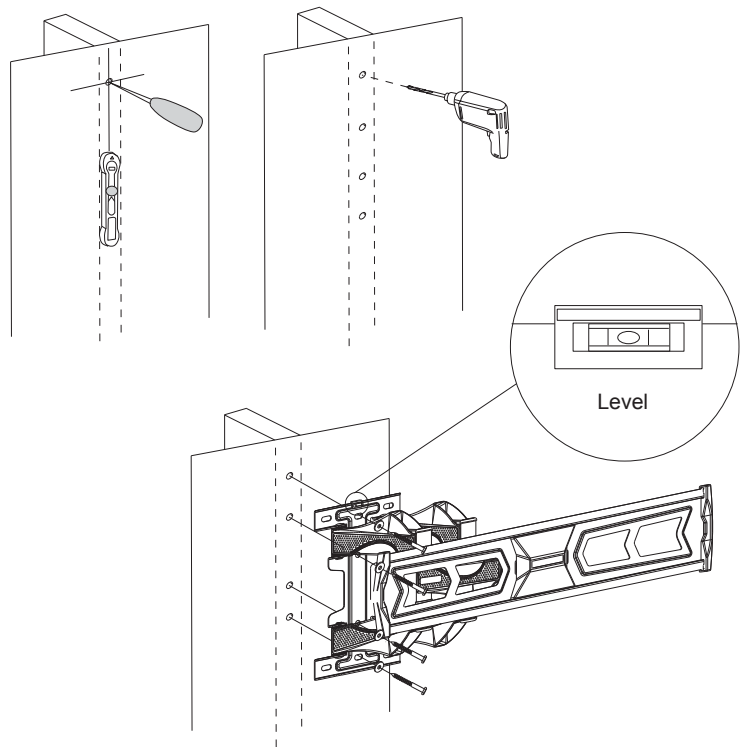
3B

Wood Stud Mounting

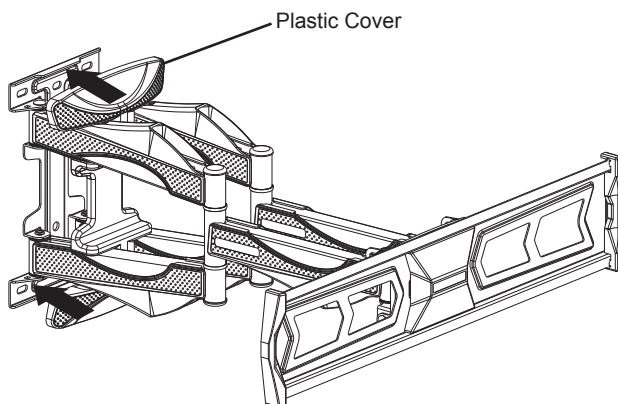
- 1) Use a stud finder to find the wood stud behind the wall.
- 2) With a pencil mark the wood stud location.
- 3) Place the mount over the wood stud location and mark four (4) mounting locations.
- 4) Drill four (4) holes on the marking locations using a drill bit and a drill gun.
- 5) Install the mount to the wall using four (4) lag bolts and washers.



Do not over tighten the lag bolts.



4

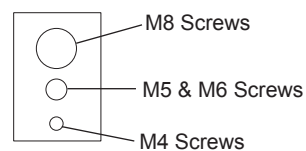


Install the upper and lower plastic covers removed from Step 2.

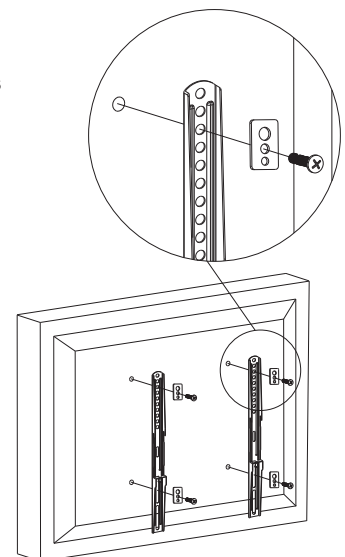
5A

Attaching the Display Brackets

For display's with a flat back



Install the display brackets to the display using four (4) universal washers and four (4) M4, M5, M6 or M8 screws depending on the display.



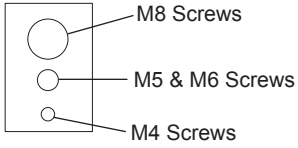
AM65

Installation Guide

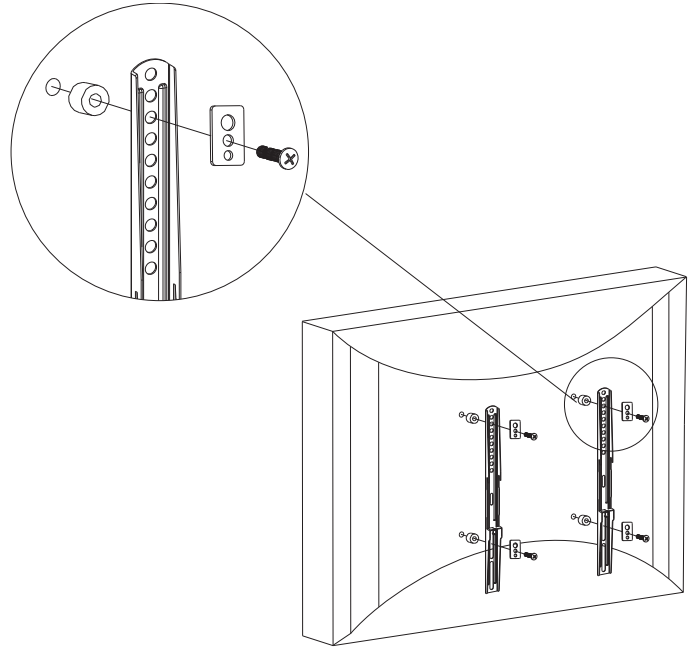
5B

Attaching the Display Brackets

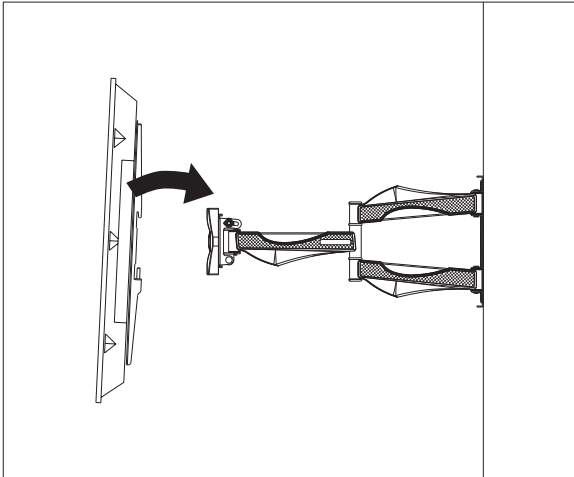
For display's with a curved back or obstruction



Install the display brackets to the display using four (4) universal washers, four (4) spacers, and four (4) M4, M5, M6 or M8 screws depending on the display.

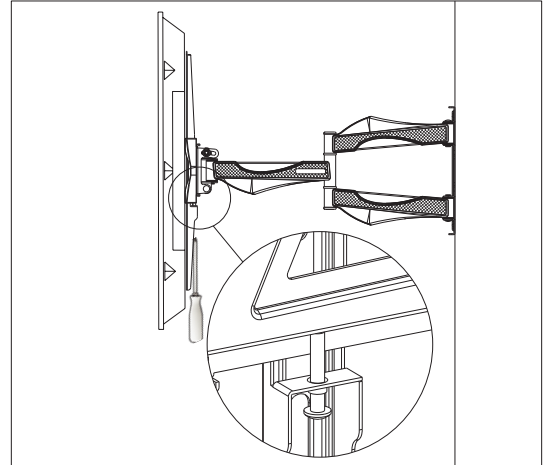


6



Hang the display to the mount.

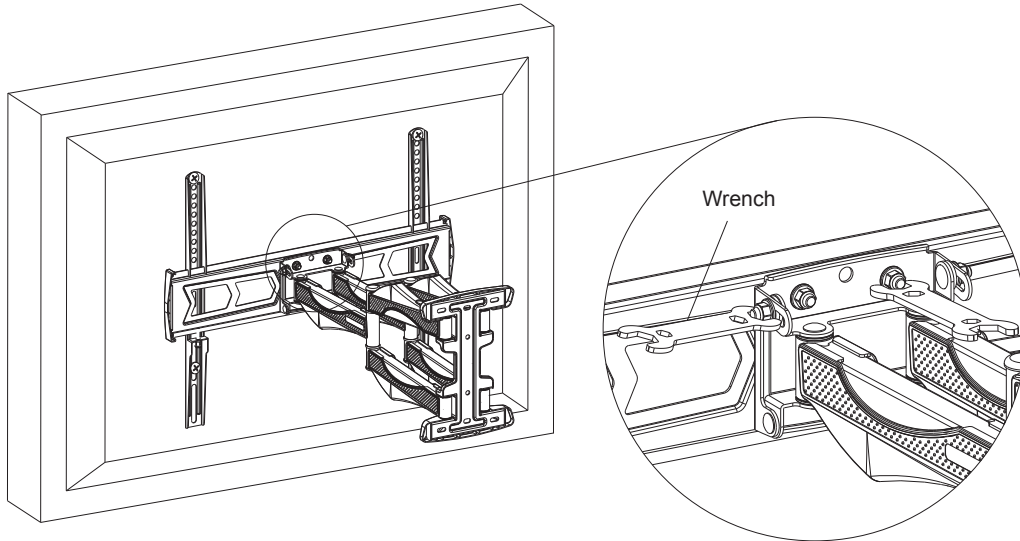
7



Tighten the safety screws on each display brackets to lock the display into place.



8

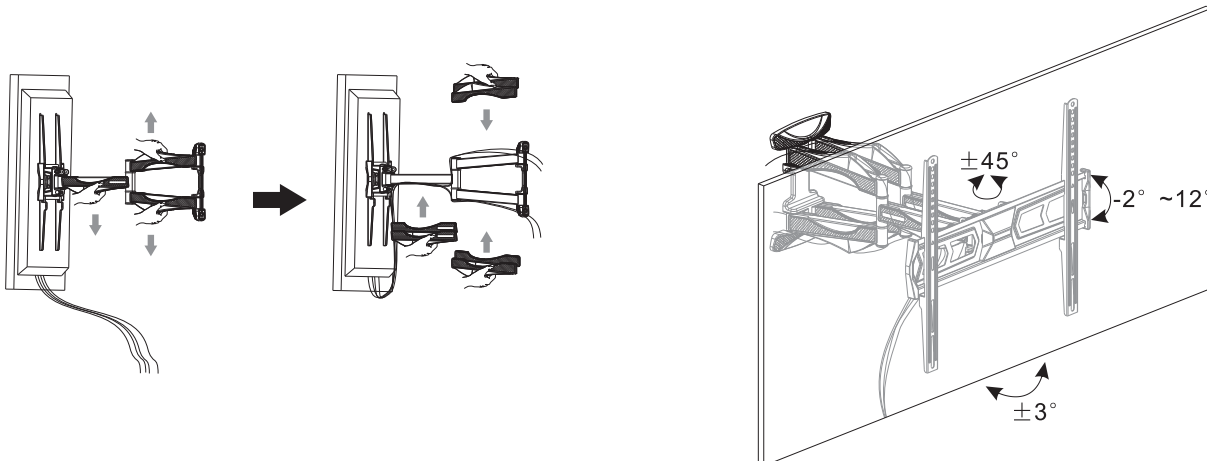


- 1) Tighten or loosening the screw nuts on the head of the mount to adjust tilting function.
- 2) Tighten or loosening the screw nuts on the head of the mount to keep level.

9

Cable Management

Cable management clips
Cable routing access points



PREMIER MOUNTS LIMITED LIFETIME WARRANTY

What and Who is Covered by this Limited Lifetime Warranty

Premier Mounts warrants all mounting products to be free from defects in material and workmanship for the lifetime of the original installation of the product.

What Premier Mounts Will Do

At the sole option of Premier Mounts, Premier Mounts will repair or replace any product or product part that is defective. If Premier Mounts chooses to replace a defective product or part, a replacement product or part will be shipped to you at no charge, but you must pay any related labor costs.

What is Not Covered: Limitations

Premier Mounts disclaims any liability for damage to mounts, adapters, displays, projectors, other property, or personal injury resulting, in whole or in part, from improper installation, modification, use or misuse of its products.

NOTWITHSTANDING ANYTHING TO THE CONTRARY IN THIS WARRANTY, THIS WARRANTY IS LIMITED TO FIVE YEARS FROM THE DATE OF PURCHASE IN THE EVENT THAT THE WARRANTED PRODUCT IS COMMERCIALY RENTED OUT.

Electrical products and components, such as amplifiers, speakers, motors, switches remote controls and related electrical items, are backed by a 3-year warranty.

Premier Mounts disclaims all other warranties, express or implied, including warranties of merchantability and fitness for a particular purpose. Premier Mounts is not responsible for incidental or consequential damages, including but not limited to, inability to use its products or labor costs for removing and replacing defective products or parts. Some states do not allow the exclusion or limitation of incidental or consequential damages, so the above limitation or exclusion may not apply to you.

What Customers Must Do for Warranty Service

If you discover a problem that you think may be covered by the warranty, you must report it in writing to the address below within thirty (30) days. Proof of purchase (an original sales receipt) from the original consumer purchaser must accompany all warranty claims. Warranty claims must also include a description of the problem, the purchaser's name, address, and telephone number. General inquiries can be addressed to Premier Mounts Customer Service at 1-800-368-9700. Warranty claims will not be accepted over the phone or by fax.

PREMIER MOUNTS
ATTN: Warranty Claims
500 W Central Ave, Suite A
Brea, CA 92821

How State Law Applies

This warranty gives you specific legal rights, and you may also have other rights which vary from state to state.

Premier Mounts intends to make this manual accurate and complete. However, Premier Mounts makes no claim that the information contained herein covers all details, conditions or variations, nor does it provide for every possible contingency in connection with the installation or use of this product. The information contained in this document is subject to change without notice or obligation of any kind. Premier Mounts makes no representation of warranty, expressed or implied, regarding the information contained herein.

Premier Mounts assumes no responsibility for accuracy, completeness or sufficiency of the information contained in this document.

©**PREMIER MOUNTS**
500 W Central Ave, Suite A
Brea, CA 92821

USA & CANADA
Phone: 800-368-9700
Fax: 800-832-4888
e. orders@premiermounts.com

