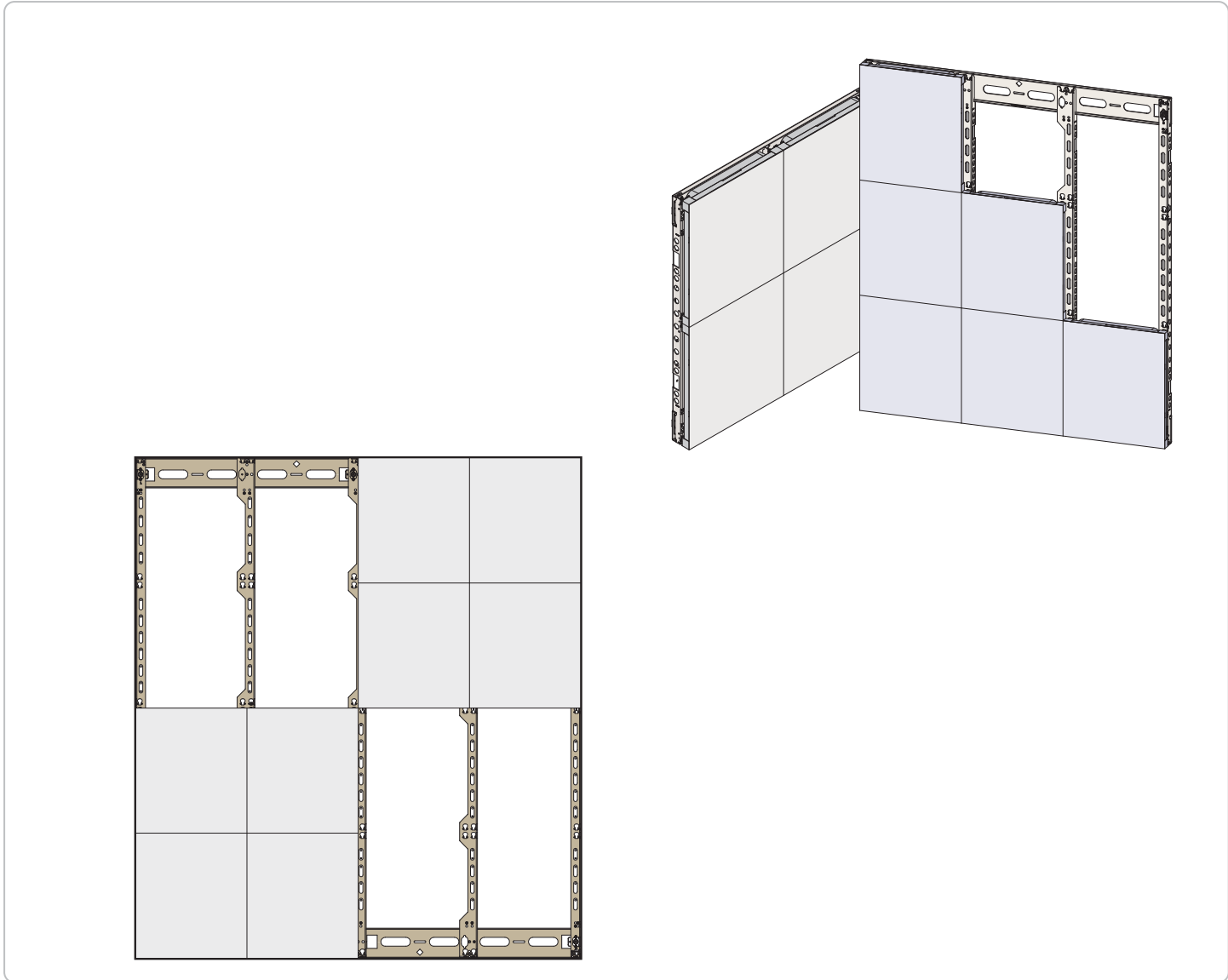


SERIES: SAM IF(H) INSTALLATION GUIDE

Convergent Series Video Wall Mount For Samsung IF(H) LED Cabinets



premiermounts.com | p. 800.368.9700 | e. orders@premiermounts.com
500 W Central Ave, Suite A, Brea, CA 92821 USA

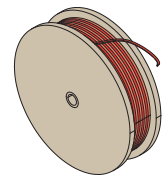
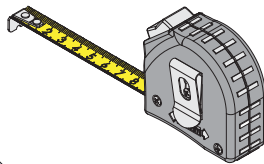
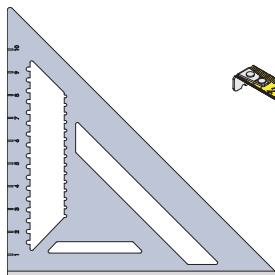
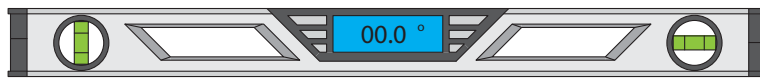
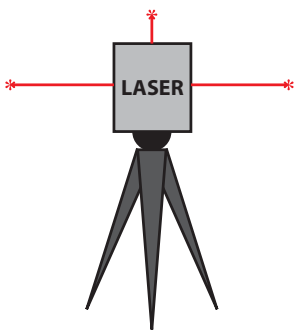
9500255 v1.3
publ. 12/28/20

SAMSUNG IF (H)

CAUTION STATEMENTS

1. READ ALL STEPS WITHIN THIS MANUAL BEFORE INSTALLING THE MOUNT. **SAMSUNG IF(H) LED SERIES INSTALLATION GUIDE** MUST BE READ IN CONJUNCTION FOR SUCCESSFUL INSTALLATION. ANY QUESTIONS? CALL PREMIER MOUNTS.
2. INSTALLATION MUST MEETS THE REQUIREMENTS APPROVED BY THE STRUCTURAL ENGINEER.
3. FRAME MUST BE PLUMBED, SQUARED, LEVELED, X, Y, AND Z ALIGNED PRIOR TO INSTALLATION OF ANY DISPLAYS.
4. ALL LED CABINETS MUST BE **POWER ON TESTED** PRIOR TO ANY INSTALLATION.
5. PREMIER MOUNTS RECOMMENDS THE HANDLING LED CABINETS BY AN INDUSTRY QUALIFIED PROFESSIONAL.
6. PREMIER MOUNTS IS NOT RESPONSIBLE FOR DEFECTS, MISUSE, OR IMPROPER HANDLING OF THE LED CABINETS.

Tools for Installation:



Spool of colored strings

WALL REQUIREMENTS:

Solid or continuous plywood backing with a **min of 3/4" thickness**, sound and secured to handle the total combined weight of the mount and LED cabinets.

MAX FLATNESS ADJUSTMENT

±1/2" or 1" max adjustment range for flatness of wall, over the entire wall surface

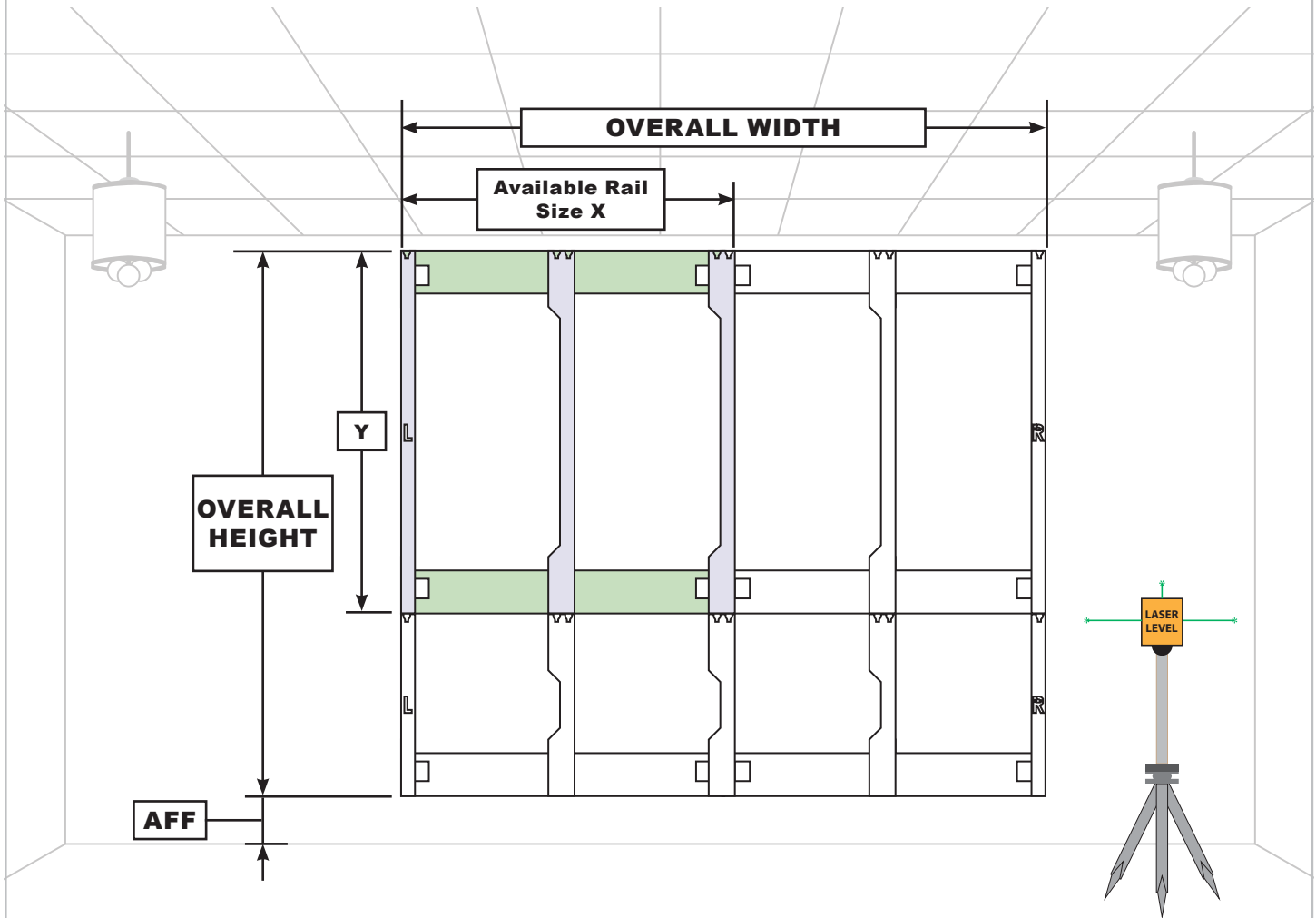
MAX POST-LEVEL ADJUSTMENT

±1/4" Post-level adjustment from each mounting point



SAMSUNG IF (H)

VIDEO WALL DIMENSIONS AND MOUNTING LOCATIONS



	Available Size	Imperial (Inches)	Metric (Millimeters)
X	2 Wide	37.77	959.4
	3 Wide	56.67	1439.2
Y	1 High	21.23	539.3
	2 High	42.49	1079.3
	3 High	63.75	1619.3

The overall dimensions of any video wall array can be calculated by using the table within this page.

The desired array size is a **combination** of available sizes. Add the available sizes together to find the overall width or height of a given array.

For modular configuration, any combination of the rails does not affect the overall dimension of the mount.

Example: an 4X4 is 75.56" x 85.01", and 8X8 is 151.12" x 170.02".



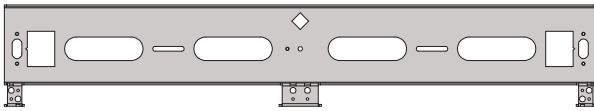
SAMSUNG IF (H)

ITEM #.	PART NO.	DESCRIPTION
1	4000-300-212-LX	Horizontal Rail 2H
2	4000-300-213-LX	Horizontal Rail 3H
3	4000-300-218-LX	Vertical Right End Rail 1V
4	4000-300-219-LX	Vertical Center Rail 1V
5	4000-300-220-LX	Vertical Left End Rail 1V
6	4000-300-221-LX	Vertical Right End Rail 2V
7	4000-300-222-LX	Vertical Center Rail 2V
8	4000-300-223-LX	Vertical Left End Rail 2V
9	4000-300-231-LX	Vertical Right End Rail 3V
10	4000-300-232-LX	Vertical Center Rail 3V
11	4000-300-233-LX	Vertical Left End Rail 3V

AVAILABLE SIZES

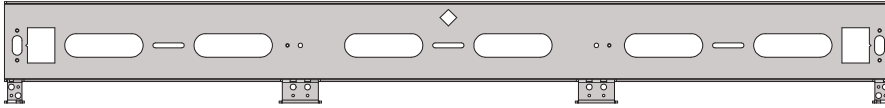
1

2 WIDE

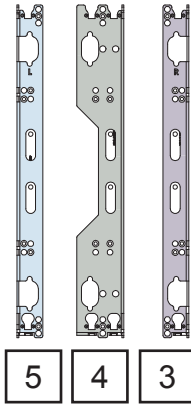


2

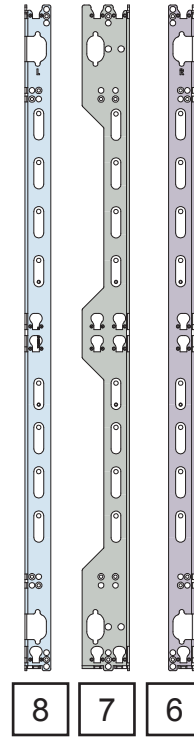
3 WIDE



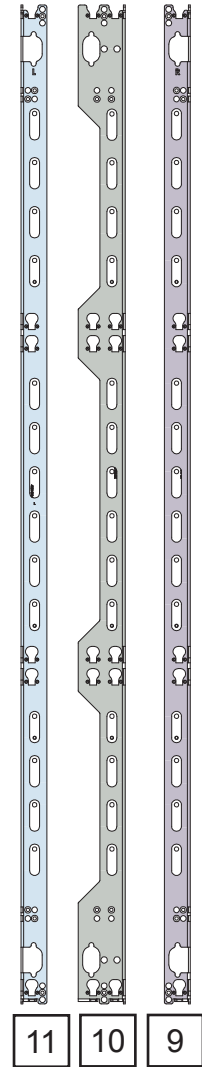
1 HIGH



2 HIGH



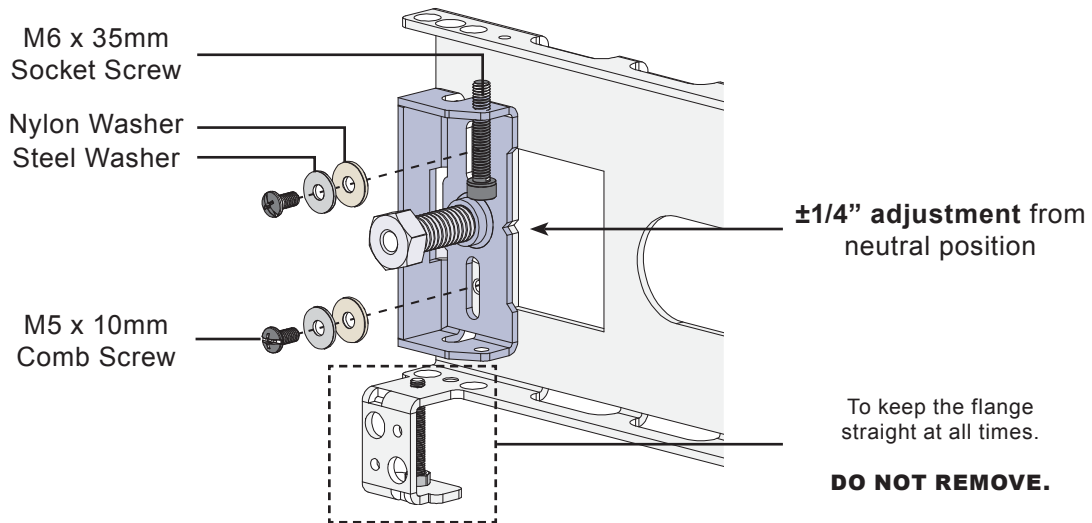
3 HIGH



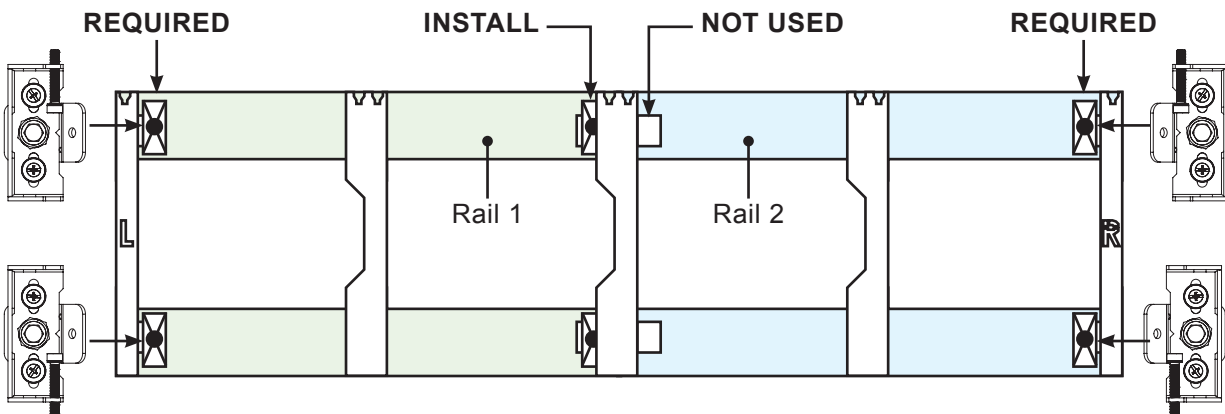
SAMSUNG IF (H)

PRE-INSTALLATION

Floating Adjustment Assembly (or "Floaters")



1. Assemble the floating adjustment assembly shown above at every mounting point location, indicated by the rectangular v-groove cutout.
2. Loosely fasten the M6 x 35mm Socket Head to the bracket. The tip of the screw should **NOT** touch the surface of the horizontal bracket to allow adjustments at post installation.



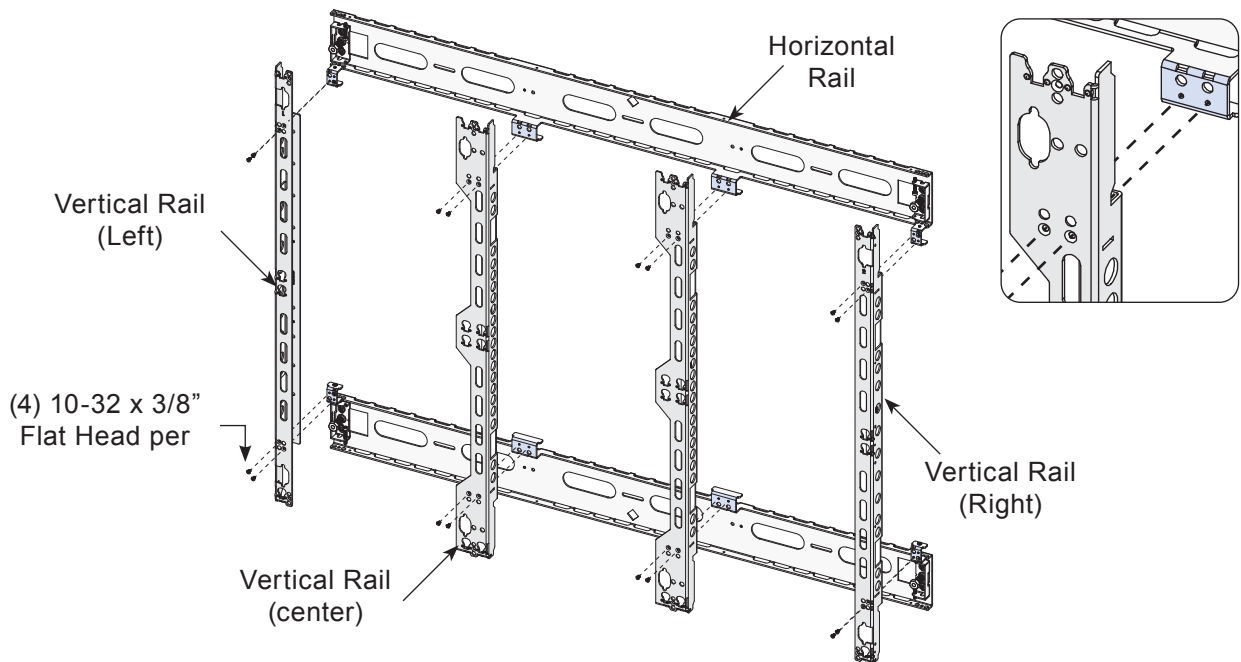
Floaters must be install on every end of each Horizontal Rail brackets. If another rail brackets are used to extend the horizontal width, only one floater is required in the middle on either side. Both side can be used if necessary.



SAMSUNG IF (H)

1

ASSEMBLE THE FRAME



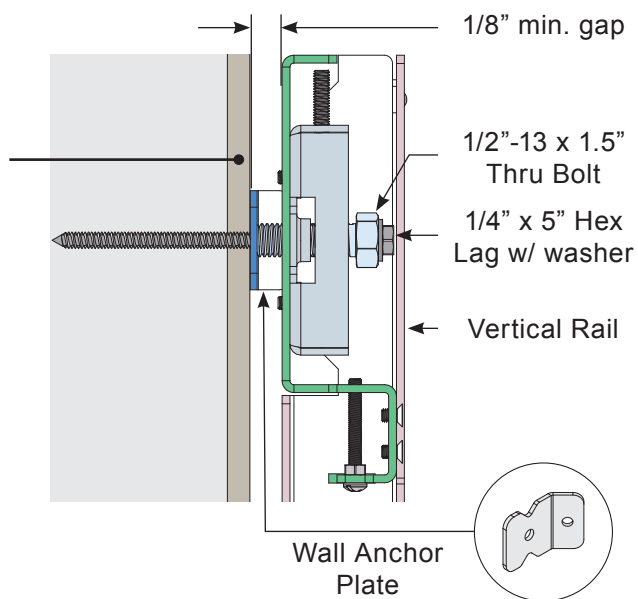
All configurations require the left and right vertical rail brackets mounted at the ends of the entire array with the "center" verticals placed continuously in between. See page 8 for additional detail.

2

MOUNTING SURFACE INFORMATION

WALL REQUIREMENT:

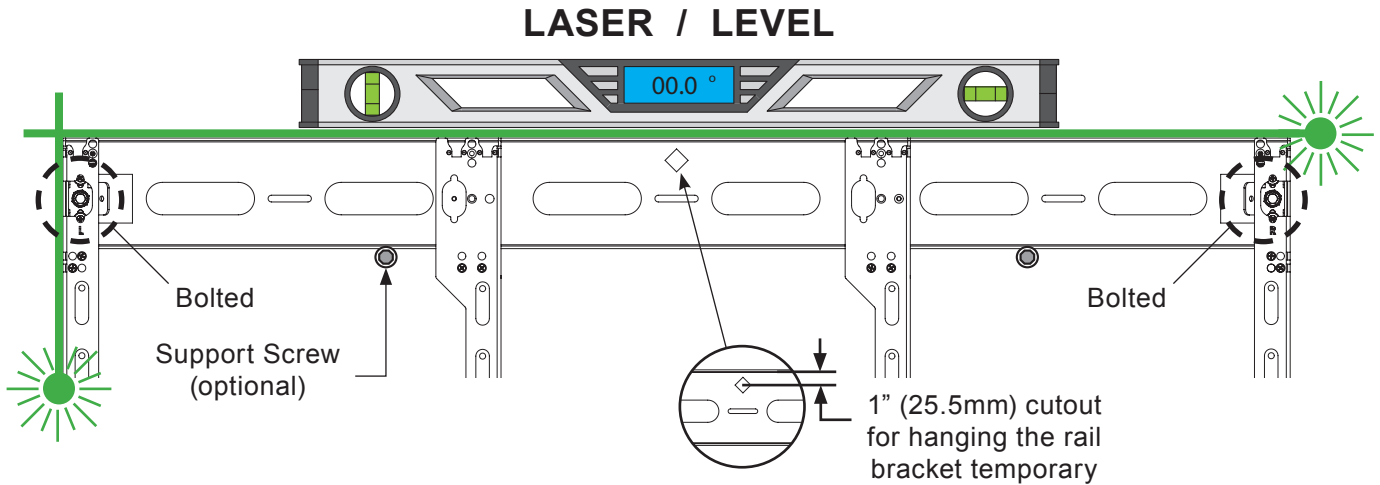
A solid or continuous plywood backing wall with min. of 3/4" thickness.



SAMSUNG IF (H)

3

1. Install a few support screws to hold the mount roughly near the desired location.
2. Place a level on top of the mount and readjust the support screws if necessary.
3. Secure the first mounting location by sliding a Wall Anchor Plate behind the mount and fasten using 1/4" x 5" Hex Lag and 1/4" Washer.
4. Maintain a 1/8" minimum gap from the anchor plate and rail bracket when anchoring.
5. Install the remaining upper mounting locations while keeping the mount leveled.

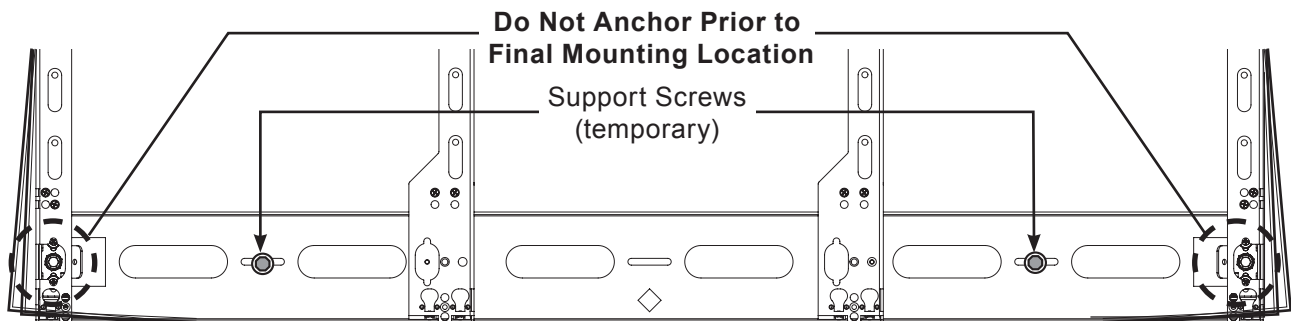


4

Install a few support screws (commercially available hardware) to **temporary** hold the lower portion of the mount. Do not bolt the frame at circled mounting point location. Adjust or nudge the frame left or right until the mount is squared.



Installation is not finished within this step. The frame must be fully squared and leveled prior to final mounting location. See step 9-10 for additional detail.



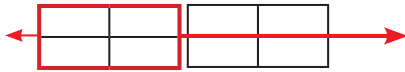
SAMSUNG IF (H)

Multiple Unit Configuration

5

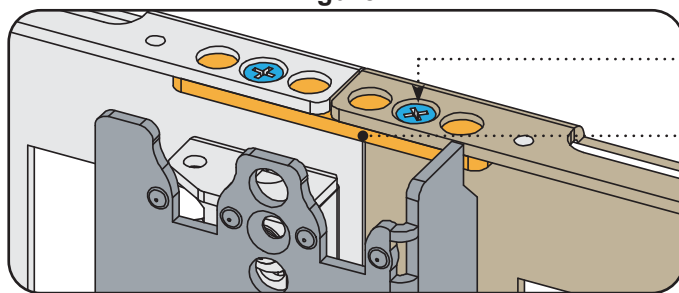
Extend Horizontally

To extend the width of the unit, follow the steps below.



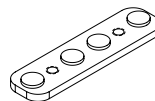
1. Hang and position the second Horizontal Rail side by side.
2. Place a support screw while maintaining a leveled horizontal rail to temporary hold in place.
3. Install (2) Attachment Plate and fasten together using (4) 10-32 x 3/8" Flat Head Screw for each rail.
4. Install the remaining Vertical Rails (center) using (4) 10-32 x 3/8" Flat Head Screw.
5. Install the lower section of the mount as the steps above.

Figure 1



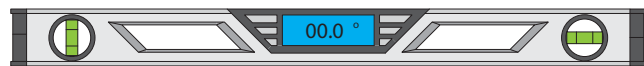
10-32 x 3/8" Flat Head Screw

Attachment Plate



the seam between two units

LASER / LEVEL



Horizontal Rail (1st unit)

Horizontal Rail (2nd unit)

Vertical Rail (center)

Figure 2



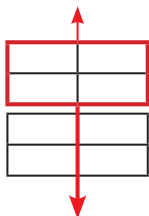
SAMSUNG IF (H)

Multiple Unit Configuration

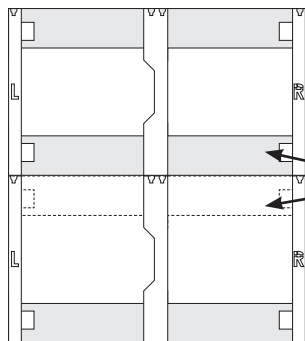
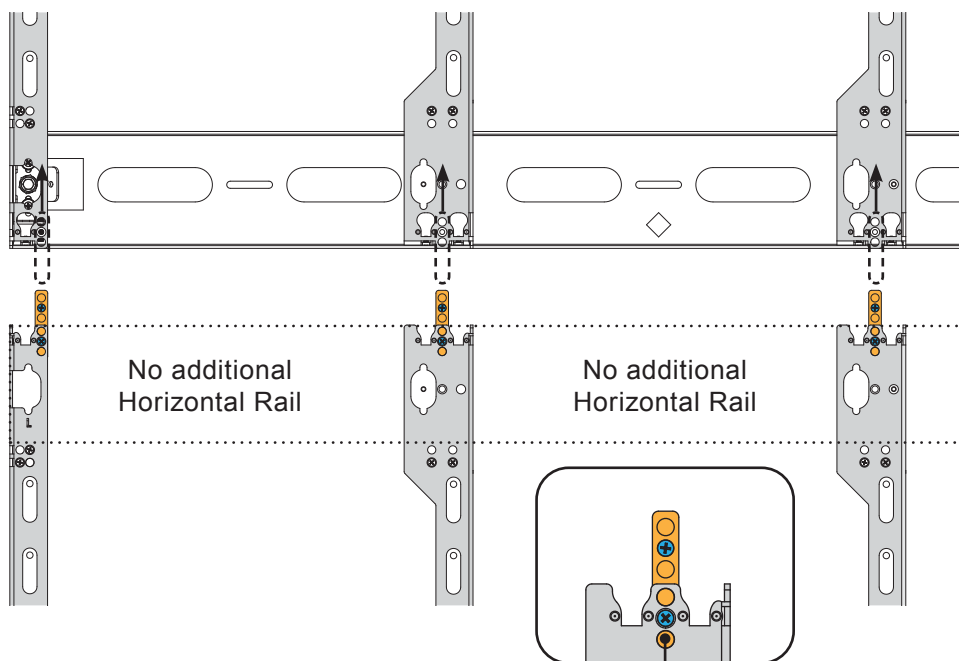
6

Extend Vertically

To extend the height of the unit, follow the steps below.



1. Place the rail brackets directly above or below the another rail brackets as shown.
2. Use the Attachment Plates to unite the two rail brackets together. Fasten using (2) 10-32 x 3/8" Flat Head Screw per.
3. Between the two units, only a single row of horizontal rail brackets are used for standard application.



One row of horizontal rail brackets on either side for standard (non-mosaic) application.



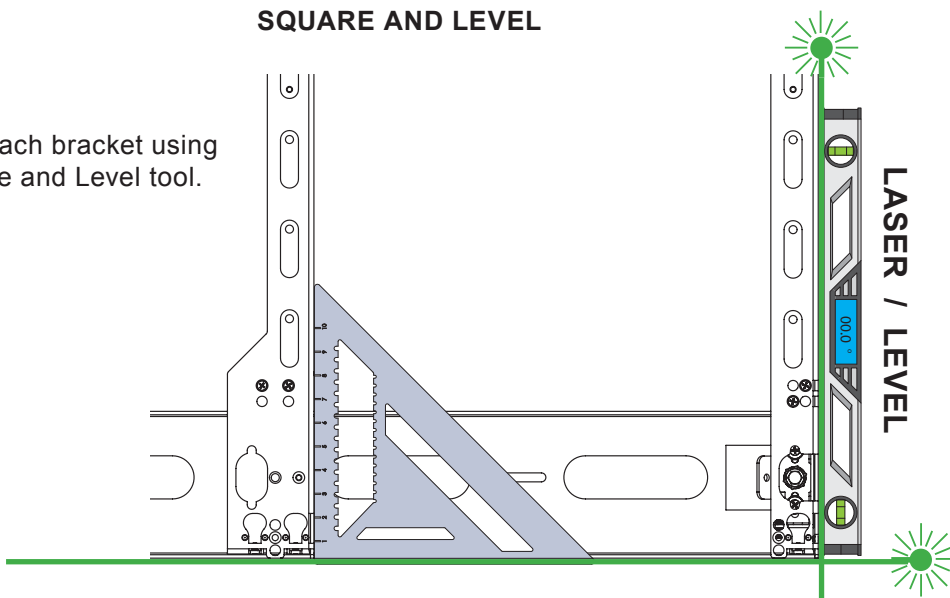
SAMSUNG IF (H)

SQUARE AND LEVEL

7



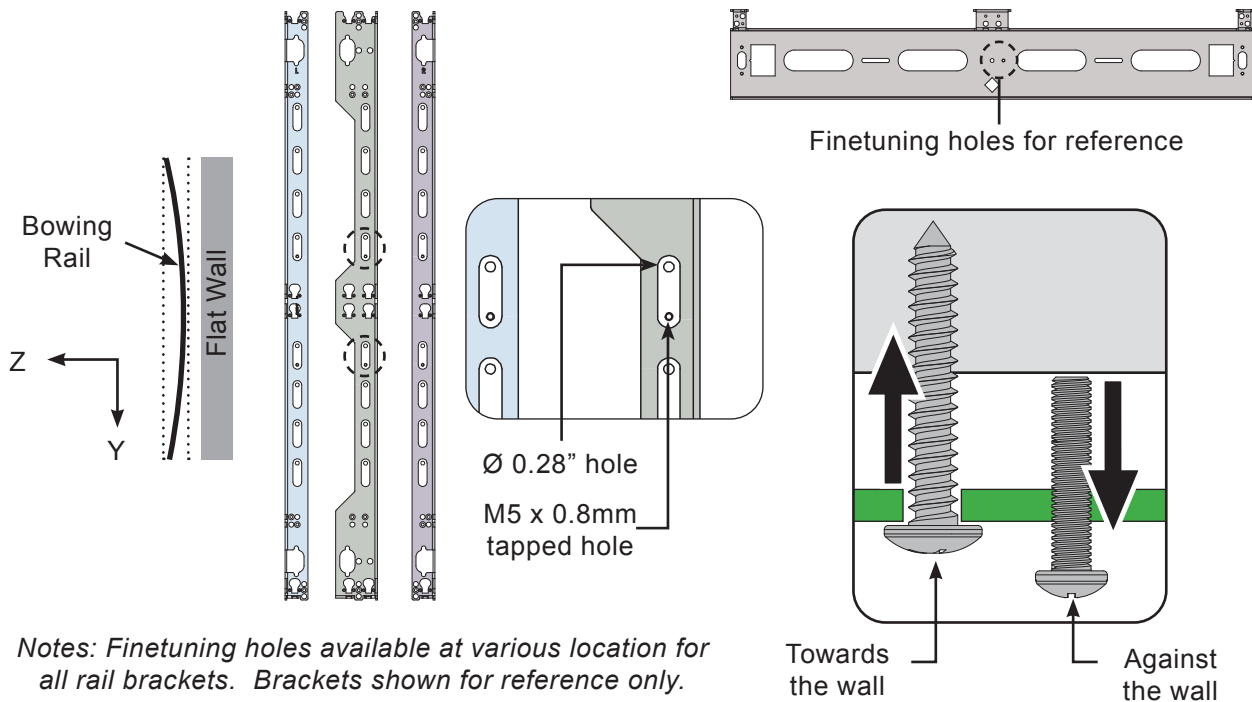
Inspect each bracket using a Square and Level tool.



FINETUNE THE RAIL FOR FLATNESS

8

1. Install wherever possible.
2. Use drywall or wood screws to pull the brackets towards the wall.
3. Use supplied M5 x 20mm Pan screw to push the brackets against the wall.



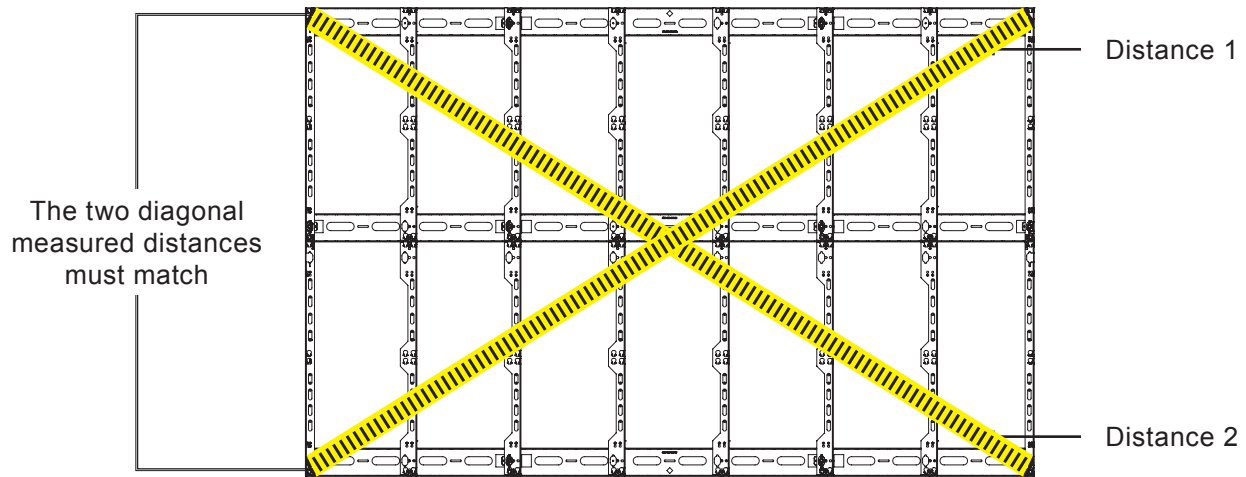
Notes: Finetuning holes available at various location for all rail brackets. Brackets shown for reference only.



SAMSUNG IF (H)

VERY IMPORTANT! VERIFYING THE DIAGONAL MEASUREMENTS FOR SQUARENESS

9

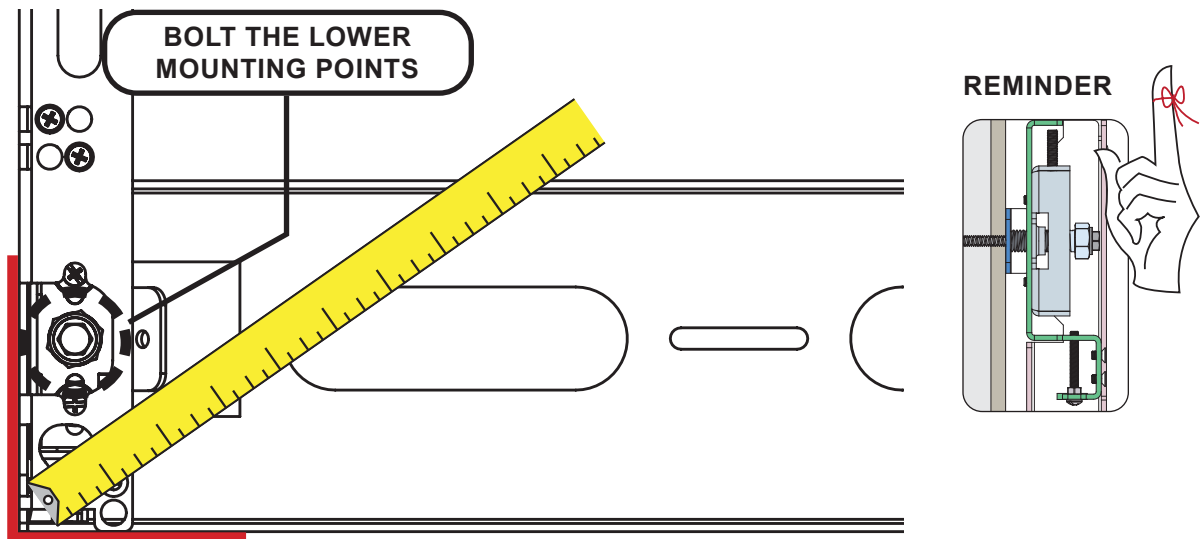


1. Measure the distance from corner to corner with a measuring tape.
2. Measure diagonally opposite and verify the diagonal measurements.
3. Proceed only if the two measurements are equivalent.

BOLT THE LOWER MOUNTING POINT

10

Secure the lower mounting location by sliding a Wall Anchor Plate behind the mount and bolt using 1/4" x 5" Hex Lag with 1/4" Washer.

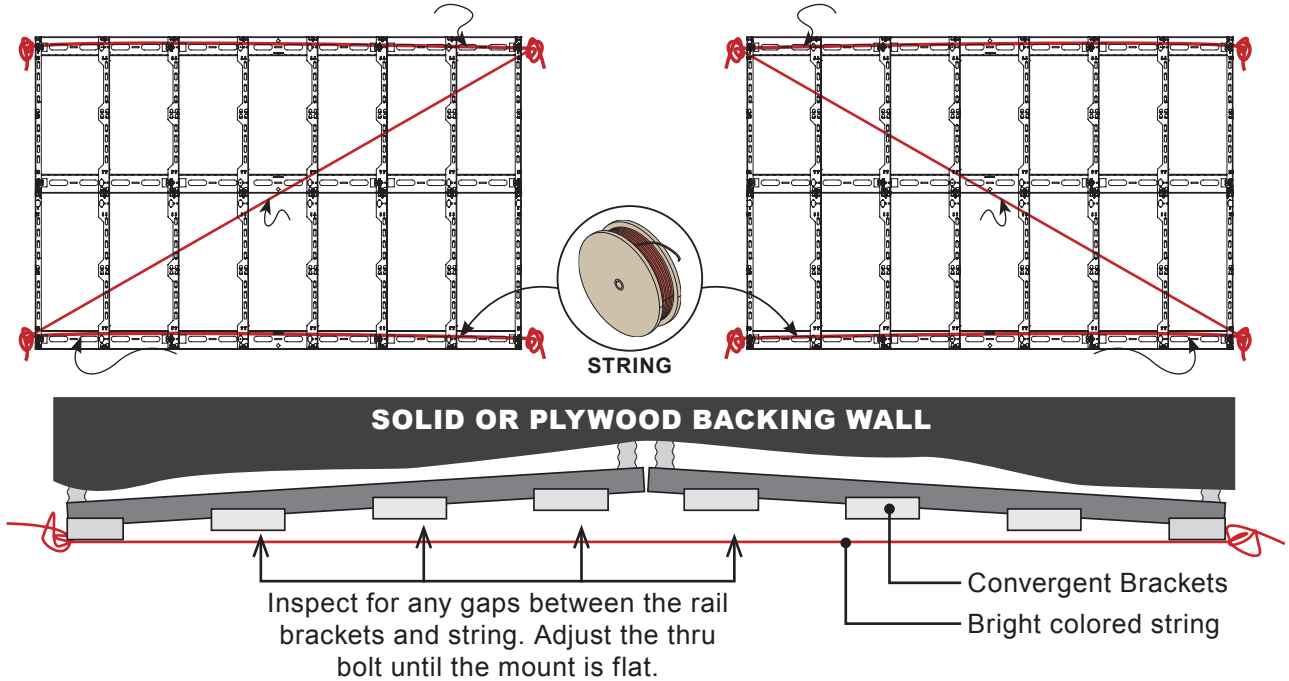


SAMSUNG IF (H)

11

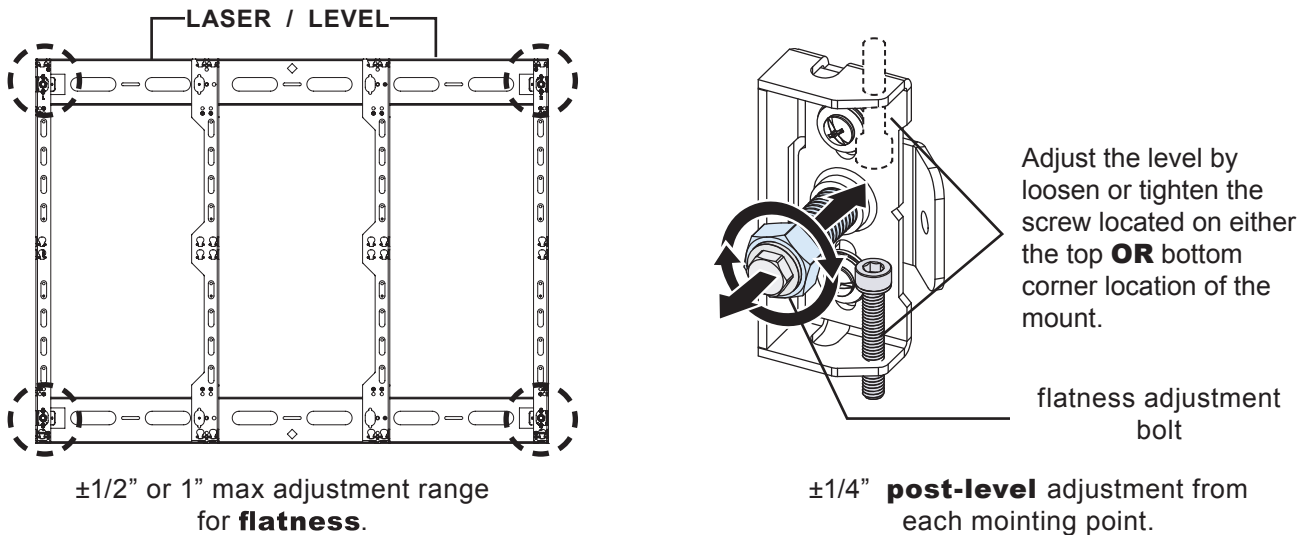
VERIFYING THE MOUNT FOR FLATNESS

1. Tie a string from one end to the other end of the entire array.
2. Tie horizontally and crisscross, especially for large video wall array.
3. Inspect for any gaps between the brackets and the string.
4. Adjust any necessary mounting location.



12

FLATNESS AND POST-LEVEL ADJUSTMENT



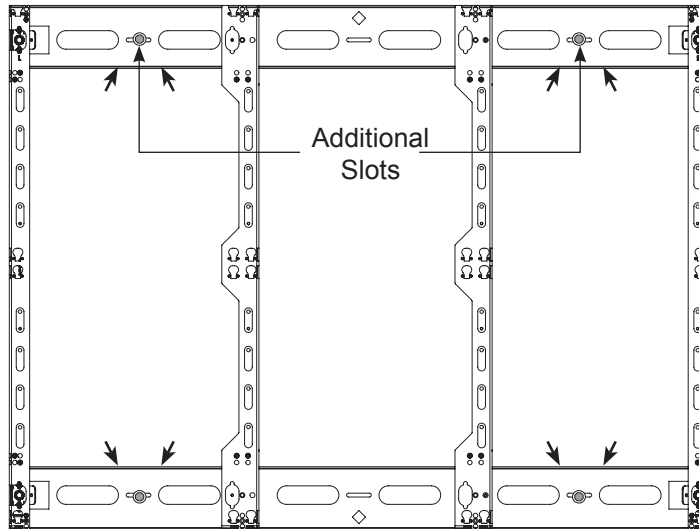
SAMSUNG IF (H)

13

USE ADDITIONAL MOUNTING SLOT TO SECURE THE FRAME

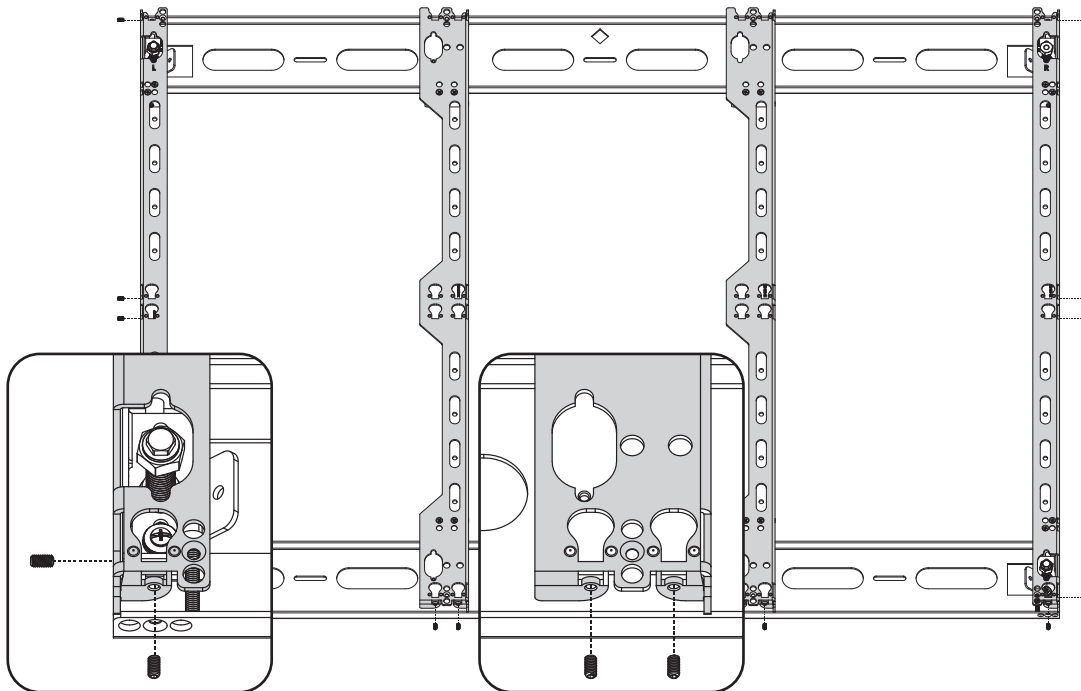
NOTES: If using the additional slots for mounting points, make sure that the floating frame is fully level to the wall vertically and horizontally. Must use shims (commercially available) on every slots being used to fill the void between the wall and the frame. Avoid over tightening the screws as this would make the floating frame uneven.

FILL VOIDS WITH SHIMS



14

Insert multiple M5 x 0.5 x 10mm Cup Point Set Screws on the left, right, and bottom side of the mount. Adjust the LED Cabinets in sequential steps.

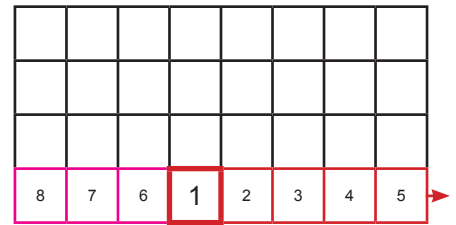


SAMSUNG IF (H)

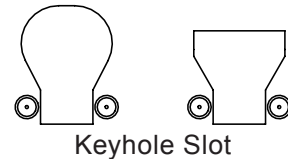
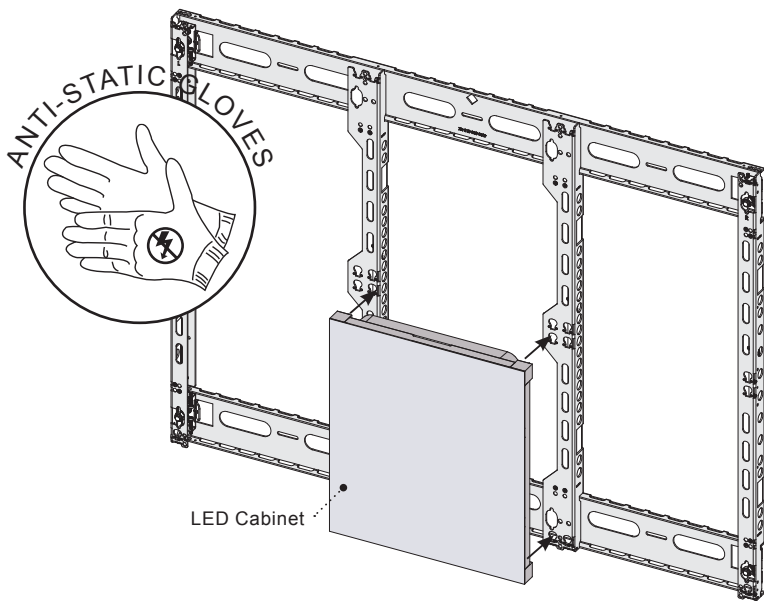
15

SAMSUNG IF LED DISPLAY INSTALLATION MANUAL must be read in conjunction with the recommended steps below. LED Cabinets to be handled by industry qualified professional. Improper installation may cause damage to the LEDs.

1. Install the first LED Cabinet from the center bottom row of the mount.
2. Position the LED Cabinet into the keyhole slot and slowly lower the cabinet.
3. Install adjacent or sequential cabinets and expand outward.
4. Finetune the LED Cabinets. Adjust the set screws located on the left, right, and bottom side of the mount.

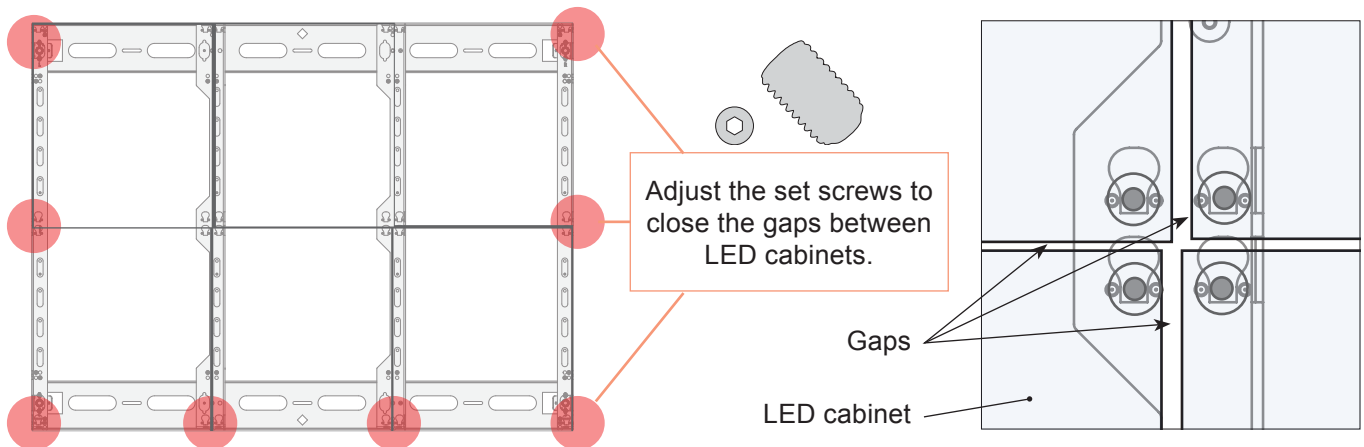


Example: 8X4 Array



3w x 2h configuration shown for clarity.

FINETUNE ADJUSTMENT



SAMSUNG IF (H)

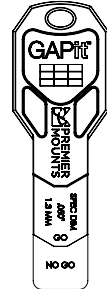
16

RECOMMENDATION ONLY: INSTALL WITH GAP-IT TOOL

1. Place a Gap-It Tool to wedge between two LED Cabinets to prevent abrupt release of the cabinets.
2. Slowly slide the Gap-It tool away from the LED Cabinets while lowering into place. See Figure 2.



PREMIER MOUNTS IS NOT RESPONSIBLE FOR ANY IMPROPER HANDLING OF THE LED CABINETS.



Cautionary Advice:
Do not damage the LEDs when lowering.

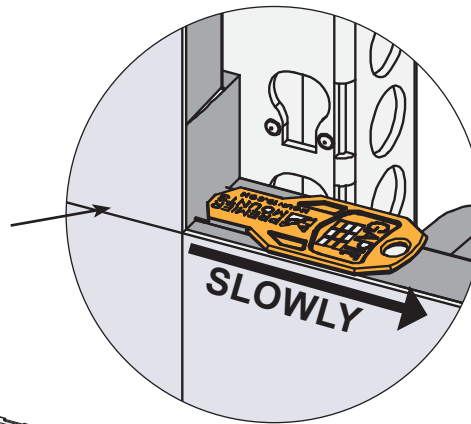


Figure 2

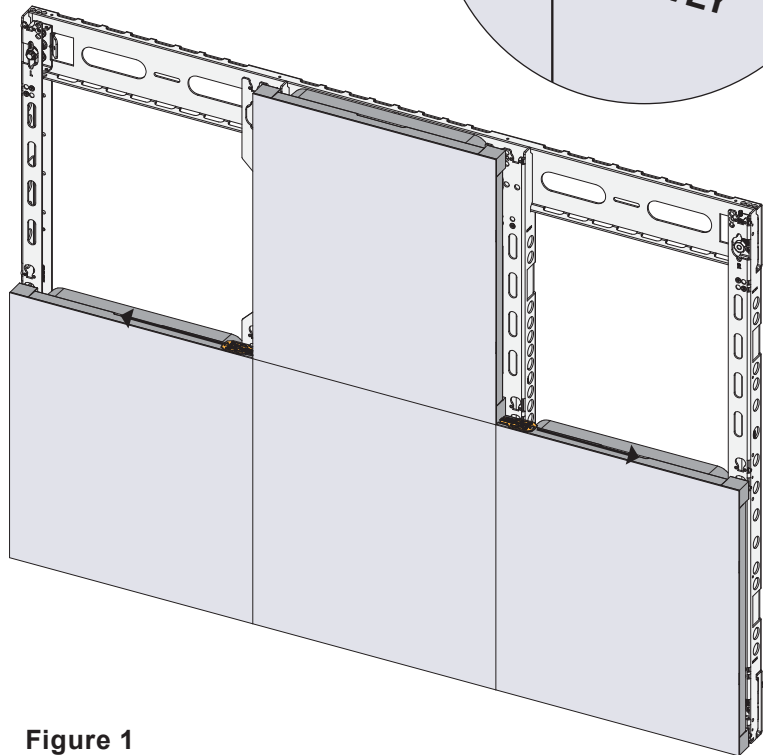


Figure 1



SAMSUNG IF (H)

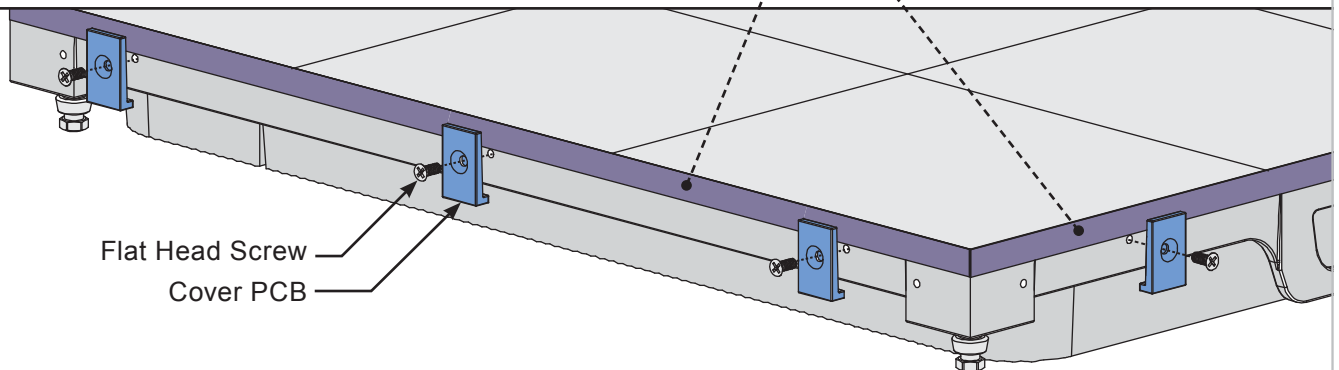
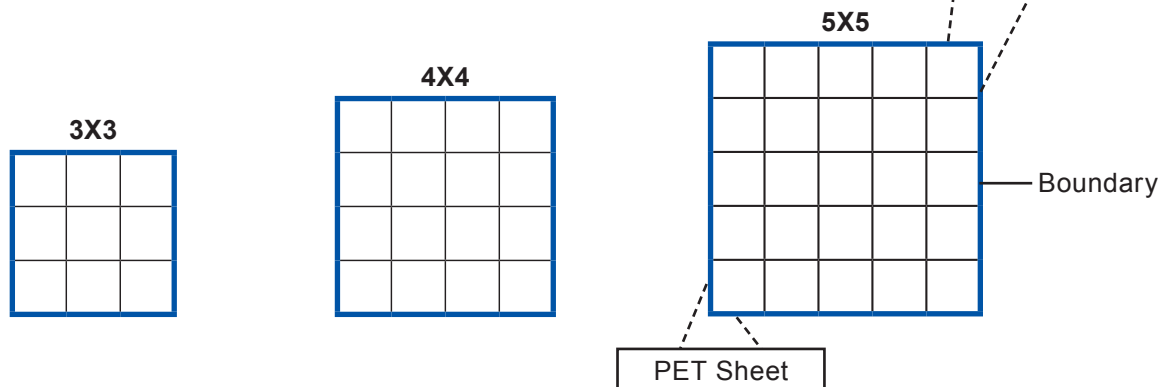
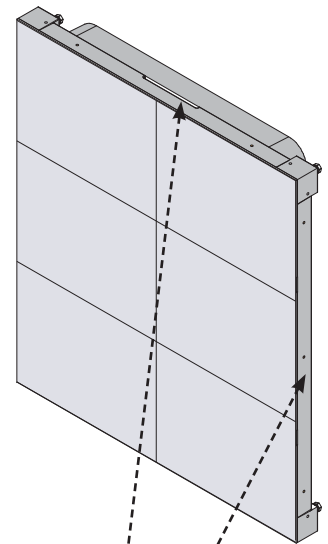
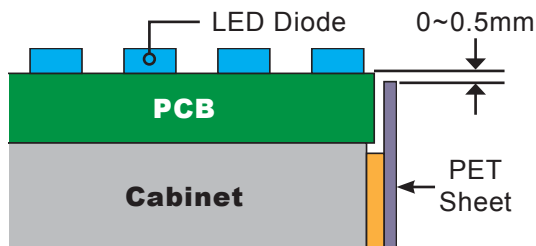
IMPORTANT: SECURE THE LED MODULES

17



The LEDs must be perfectly installed without any noticeable seams, black bars, or imperfection of the LED modules. Modules must be in locked position before moving forward.

1. Install the PET Sheet around the boundary of the entire video wall array as shown below.
2. Secure using the Cover PCB and Flat Head Screw.



All components within this page is supplied with the LED Cabinet (by others).



SAMSUNG IF (H)



Acceptable Locations - Frame may be installed as described on the drawings and calculations anywhere in the continuous United States except those locations hatched above. Areas within 50 miles of the hatched areas or to be installed outside the continuous United States will require a site specific engineering review to determine anchorage requirements.

PMS-1804 5x4 Samsung Mount
Date: 7/21/2018
Map of Acceptable Installation Locations





SUBMIT FOR APPROVAL

SUBMITTAL #: FBWM-5X4-SAM-IF-SE-00

PAGE 1 of 1

P/N: FBWM-5X4-SAM-IF

REVISION: 00

FINISH: TEXTURED BLACK, BK01

DESCRIPTION: 5X4 FLAT BRACKET SAMSUNG IF LED WALL MOUNT

DATE: 5/22/18

REF ECR#

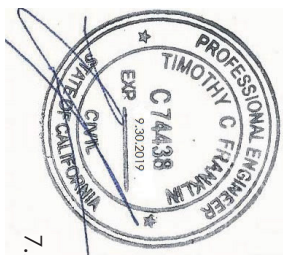
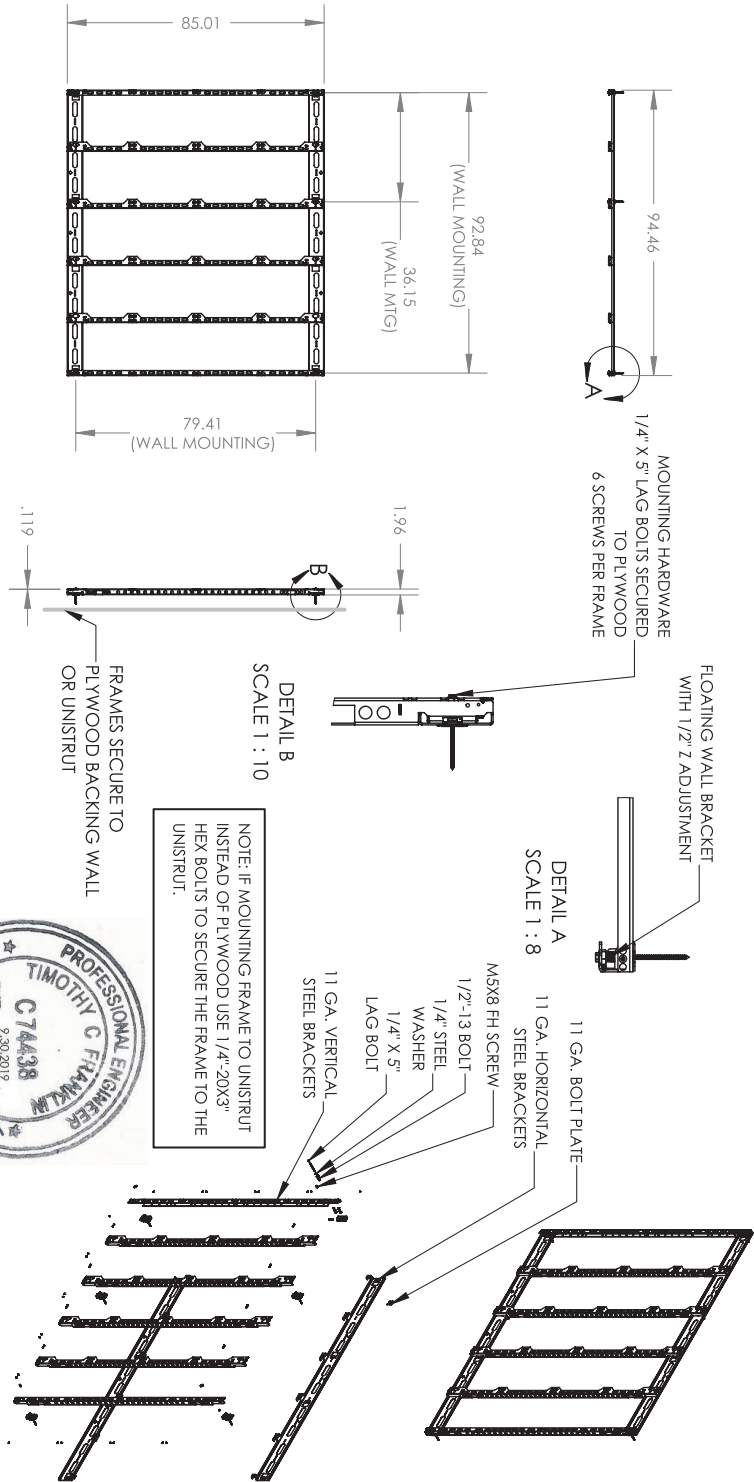
Client Approval: _____

By: _____

Title: _____

Date: _____

Signed submittal drawing must be received prior to fabrication. Any delay in receiving the signed drawing will delay manufacturing and the shipment date.



7.21.2018

- NOTES:
- 1- INTERPRET DRAWING PER (Y14.5)
 - 2- MOUNT STRUCTURE APPROXIMATE WEIGHT 110 LBS. NOT INCLUDING DISPLAY PANELS. LED WEIGHT IS 10 LBS EACH.
 - 3- THE MOUNTING FRAME MUST BE ANCHORED TO THE WALL PER LOCAL CODES & STRUCTURAL ENGINEERING RECOMMENDATION
 - 4- THE STAMP COVERS MOUNT STRUCTURAL DESIGN ONLY AND APPLIES TO INDOOR INSTALLATION ONLY.
 - 5- SEE ATTACHED MAP FOR ACCEPTABLE INSTALLATION LOCATIONS AND CRITERIA.

The design, specifications, documents and content of this document are the property of PREMIER MOUNTS and are protected by applicable copyright and unfair competition laws. No material from this document may be copied, used, reproduced, republished, posted, altered, distributed or transmitted in whole or in part in any way without the express written consent of PREMIER MOUNTS which reserves all rights. Copying, duplicating, re-using or otherwise distributing any of the content or info contained therein in any medium, electronic or otherwise, for any purpose is strictly prohibited and may violate copyright laws.

