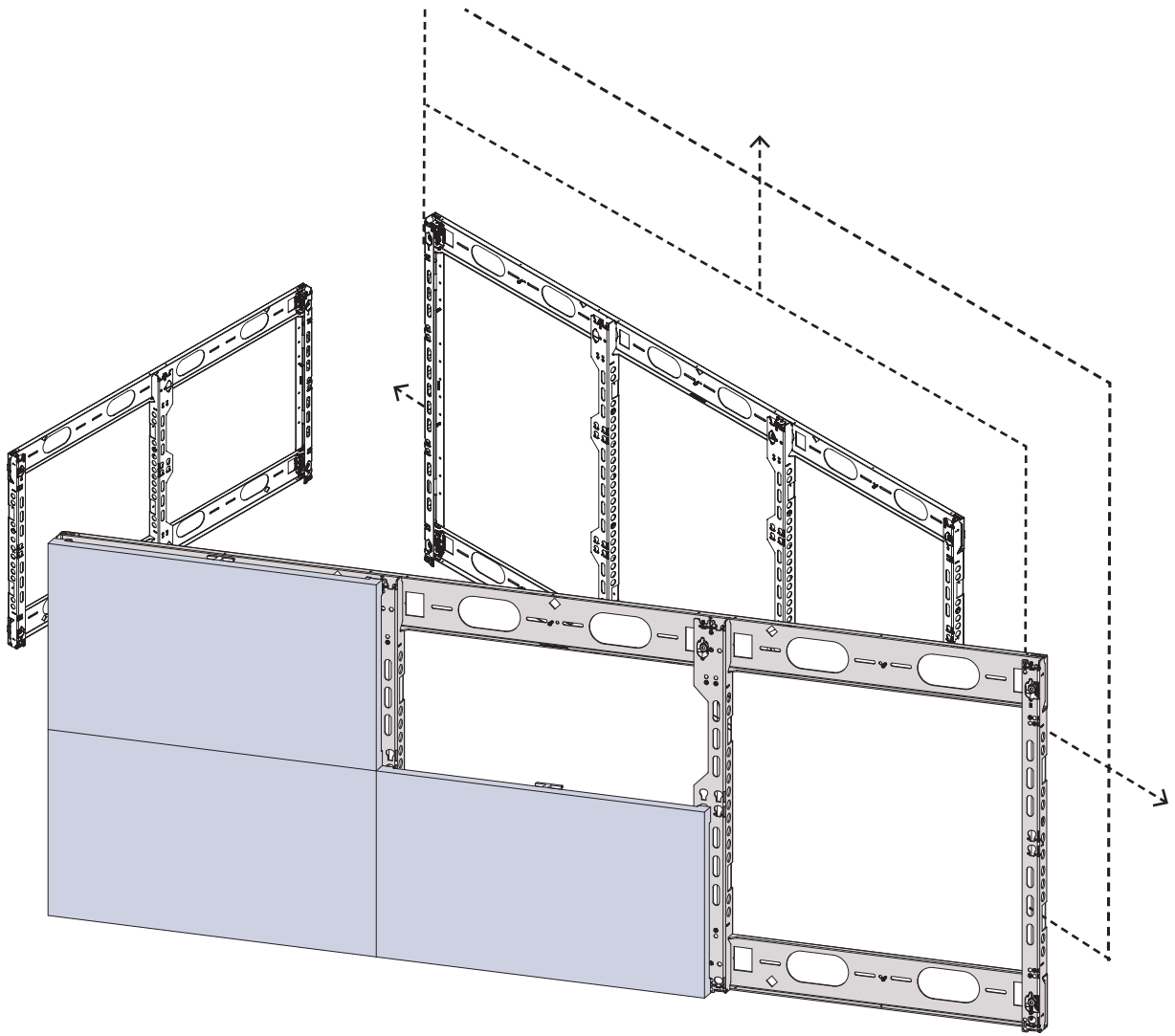


FBWM SAM IFJ

FLAT BRACKET VIDEO WALL MOUNT
FOR SAMSUNG IFJ LED SERIES

INSTALLATION GUIDE

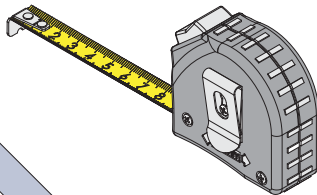
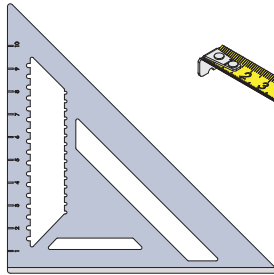
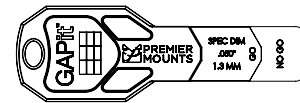


FBWM SAM IFJ

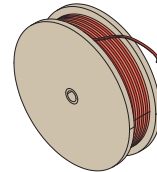
CAUTION STATEMENTS

1. READ ALL STEPS WITHIN THIS MANUAL BEFORE INSTALLING THE MOUNT. **SAMSUNG IFJ LED SERIES INSTALLATION GUIDE** MUST BE READ IN CONJUNCTION FOR SUCCESSFUL INSTALLATION. ANY QUESTIONS? CALL PDS.
2. FRAME MUST BE PLUMBED, SQUARED, LEVELED, X, Y, AND Z ALIGNED PRIOR TO INSTALLATION OF ANY DISPLAYS.
3. ALL LED CABINETS MUST BE **POWER ON TESTED** PRIOR TO ANY INSTALLATION.
4. PDS RECOMMENDS THE HANDLING LED CABINETS BY AN INDUSTRY QUALIFIED PROFESSIONAL.
5. PDS IS NOT RESPONSIBLE FOR DEFECTS, MISUSE, OR IMPROPER HANDLING OF THE LED CABINETS.

Tools for Installation:



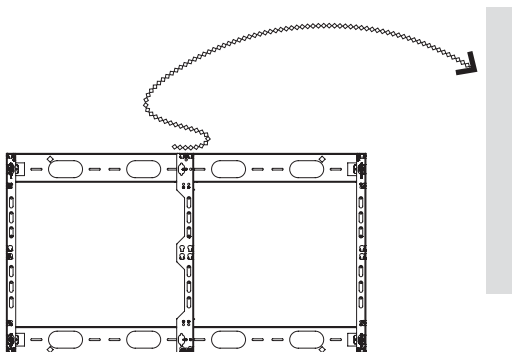
Anti-Static
Gloves



Spool of
colored strings

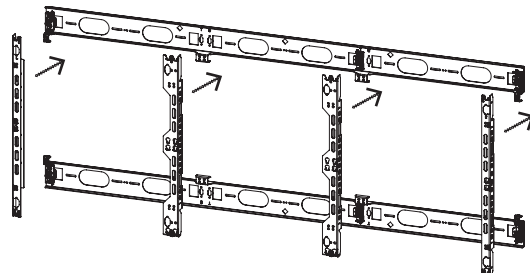
METHOD 1

Assemble the mount before installing into place (for single unit or small array).



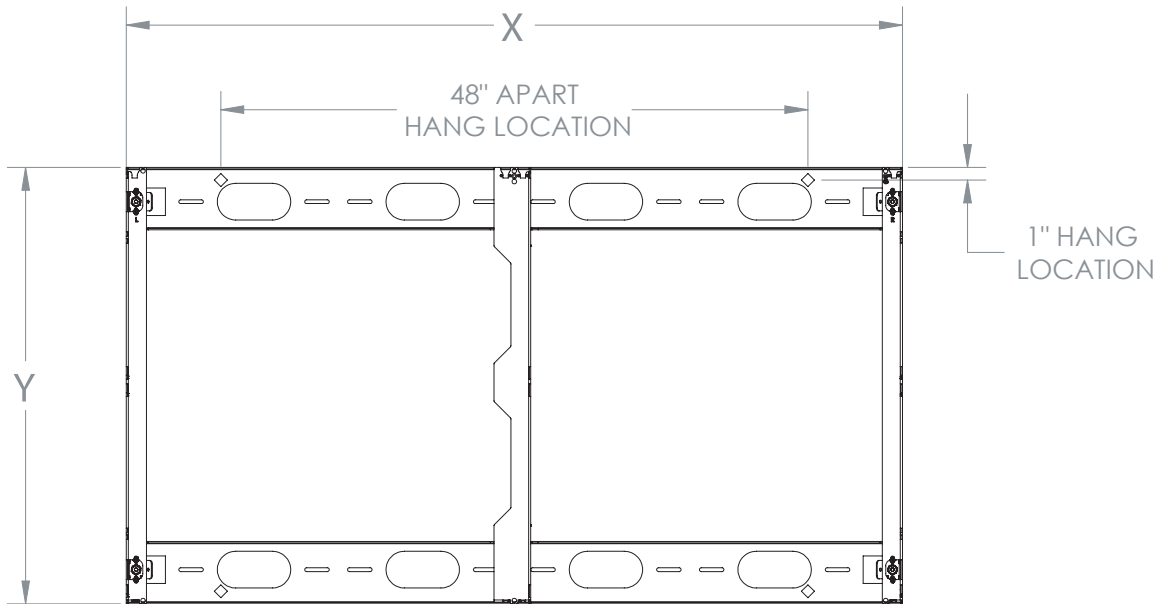
METHOD 2

Install piece by piece on a located wall (for multiple or large video wall array).



FBWM SAM IFJ

VIDEO WALL DIMENSIONS AND MOUNTING LOCATIONS



		Imperial (Inches)	Metric (Millimeters)
X	1 Wide	31.718	805.6
	2 Wide	63.466	1612.1
	3 Wide	95.214	2418.5
Y	1 High	17.828	452.8
	2 High	35.686	906.4
	3 High	53.545	1360.1
	4 High	71.403	1813.6
	5 High	89.261	2267.2

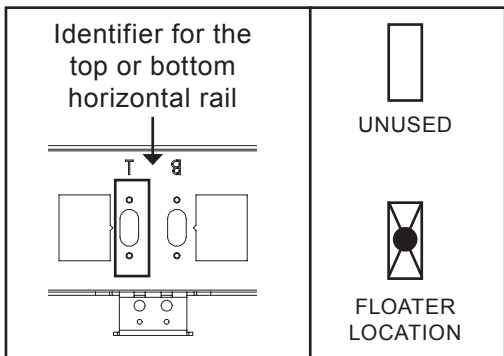
Determine the overall dimensions of the mount by using the table within this page.

For example: 3X3 array would be 95.22" x 53.54" but larger array i.e., 9X9 would consist of multiple rails for an overall of 285.65" x 160.66".



FBWM SAM IFJ

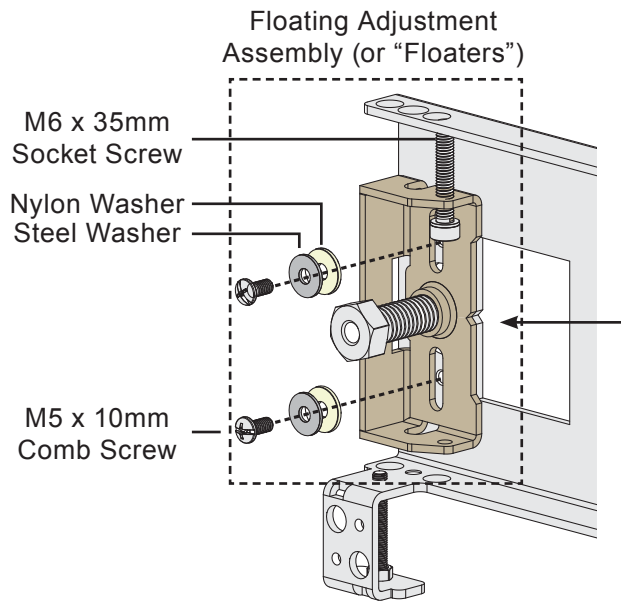
PRE-INSTALLATION



Even array - e.g. 6 Wide

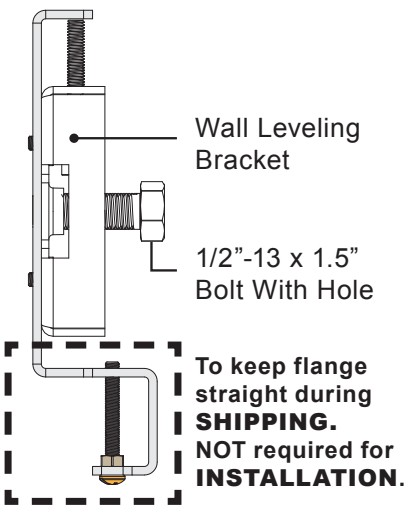
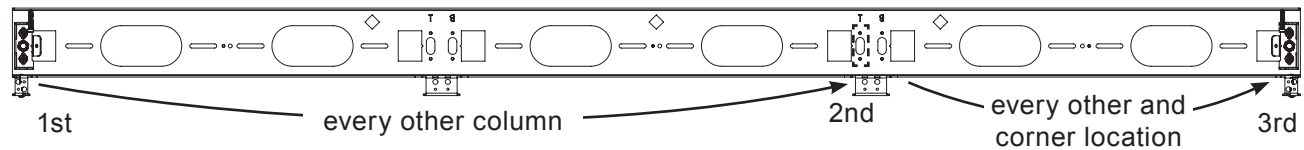


Odd array - e.g. 3 Wide



Default Position and alignment notch for wall leveling bracket

Floaters must be install on each corner of the entire array and every other location (indicated by the notch).



1. Identify the square cutout with a V-notch to determine the placement and direction of the Floating Adjustment assembly (or "**floaters**") shown on above.
2. Install on every other column and corner locations of the mount.
3. Fasten using (2) M5 x 10mm Comb Screw, (2) Nylon Washers, (2) Steel Washers.
4. Install 1/2"-13 x 1.5" Bolt with Hole onto each threaded extrusion and a M6 x 35mm Socket Screw for ease of installation in sequential step.

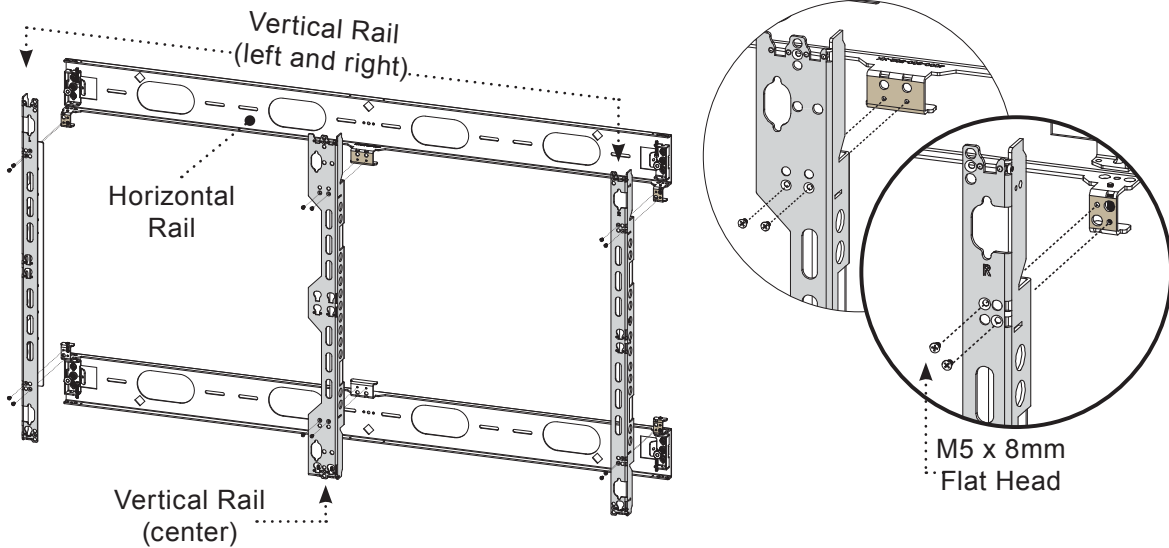


FBWM SAM IFJ

METHOD 1

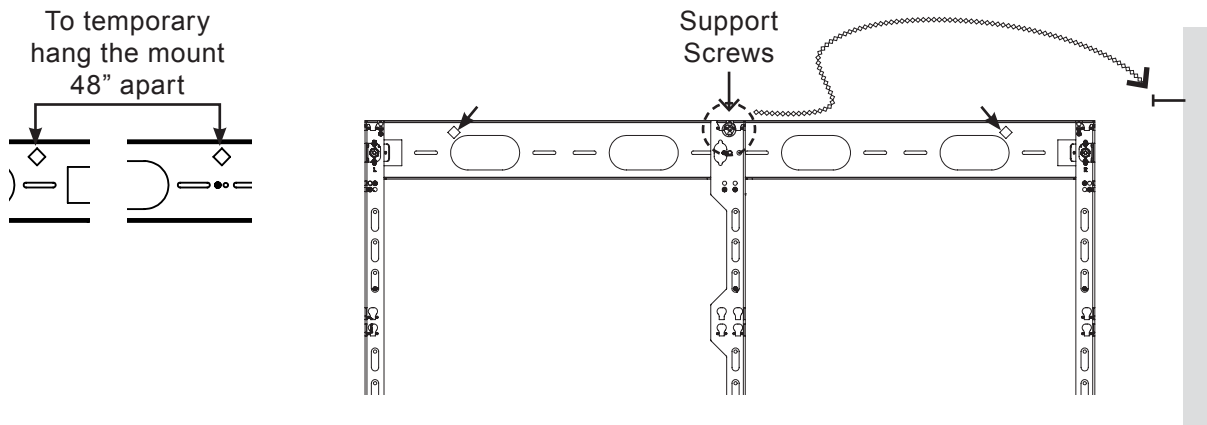
1

Install the Vertical and Horizontal Rails together using (4) M5x 8mm Flat Head Screw per.



2

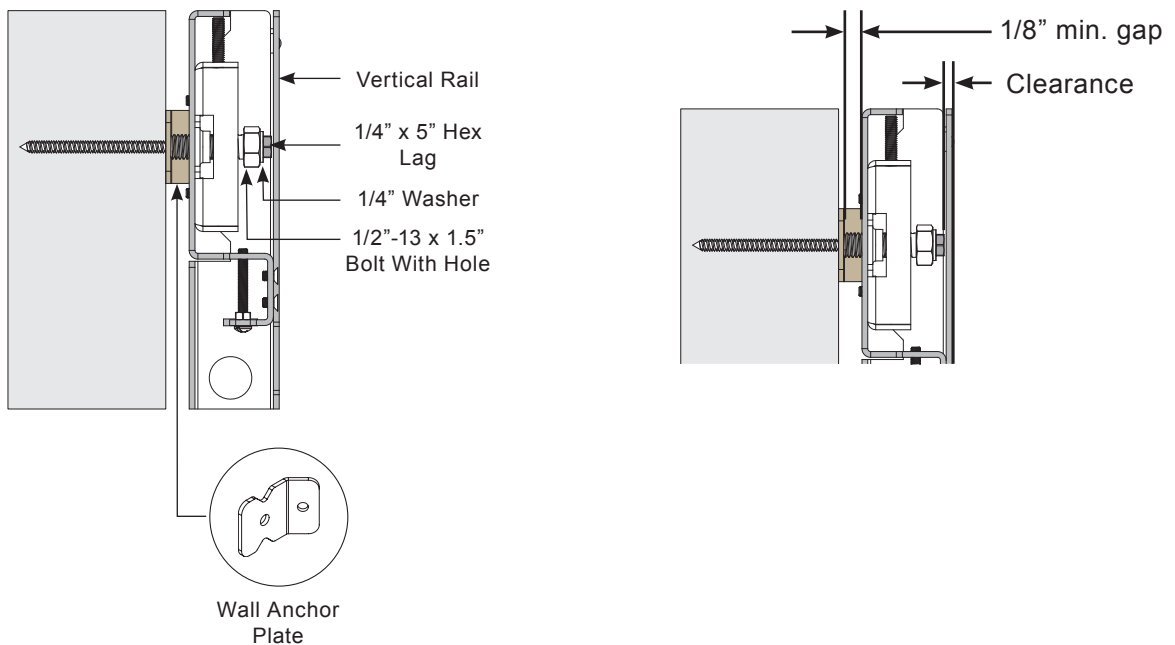
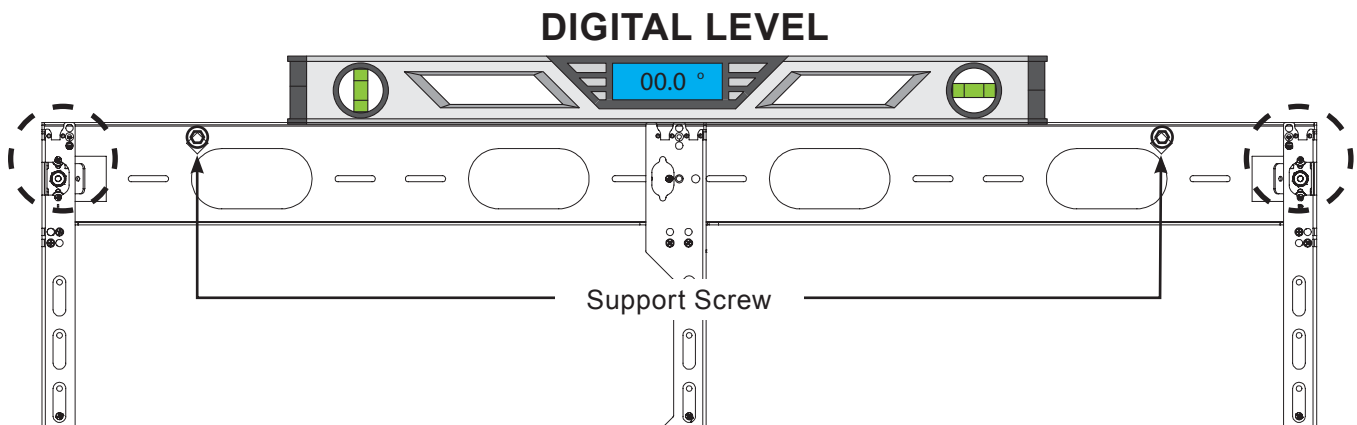
1. Determine the desired location by calculating the height of the pre-mounting hang location using the table on page 3.
2. Use any commercially available hardware to temporary hang the mount.



FBWM SAM IFJ

3

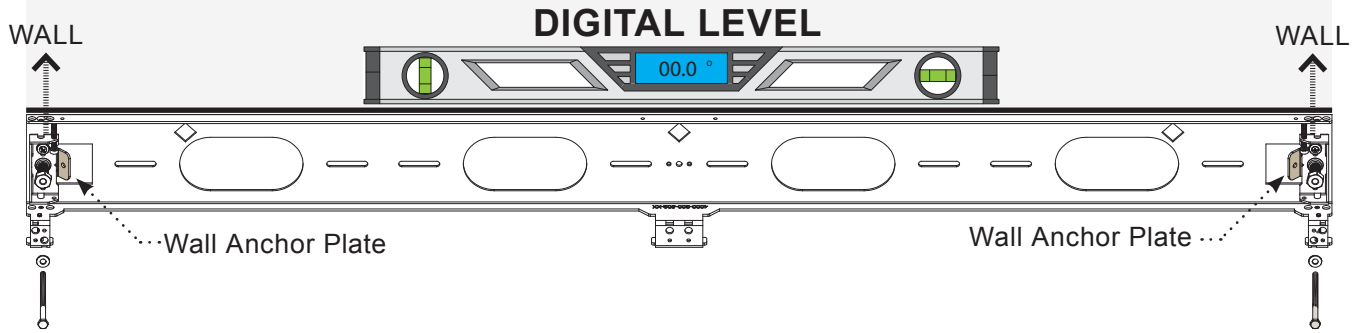
1. Place a level on top of the mount and reinstall or adjust the support screws if necessary.
2. Secure the first mounting location by sliding a Wall Anchor Plate behind the mount and fasten using 1/4" x 5" Hex Lag and 1/4" Washer.
3. Maintain a 1/8" minimum gap from the anchor plate and the rail when anchoring.
4. Install the remaining mounting locations while keeping the mount leveled.



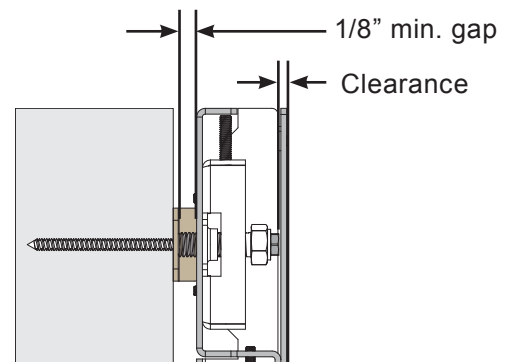
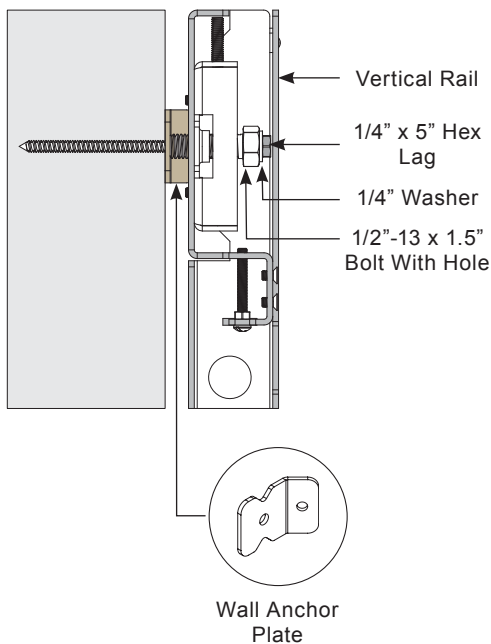
FBWM SAM IFJ

METHOD 2

1



1. Install (2) 1/2"-13 x 1.5" Bolt with Hole onto the threaded extrusion.
2. Hang the first Horizontal Rail on the wall.
3. Secure the first mounting location by sliding a Wall Anchor Plate behind the mount and fasten using 1/4" x 5" Hex Lag and 1/4" Washer.
4. Maintain a 1/8" minimum gap from the anchor plate and the rail when anchoring.
5. Level, Square, Plumb.
6. Install the remaining lag bolts, washers, and wall anchor plate.

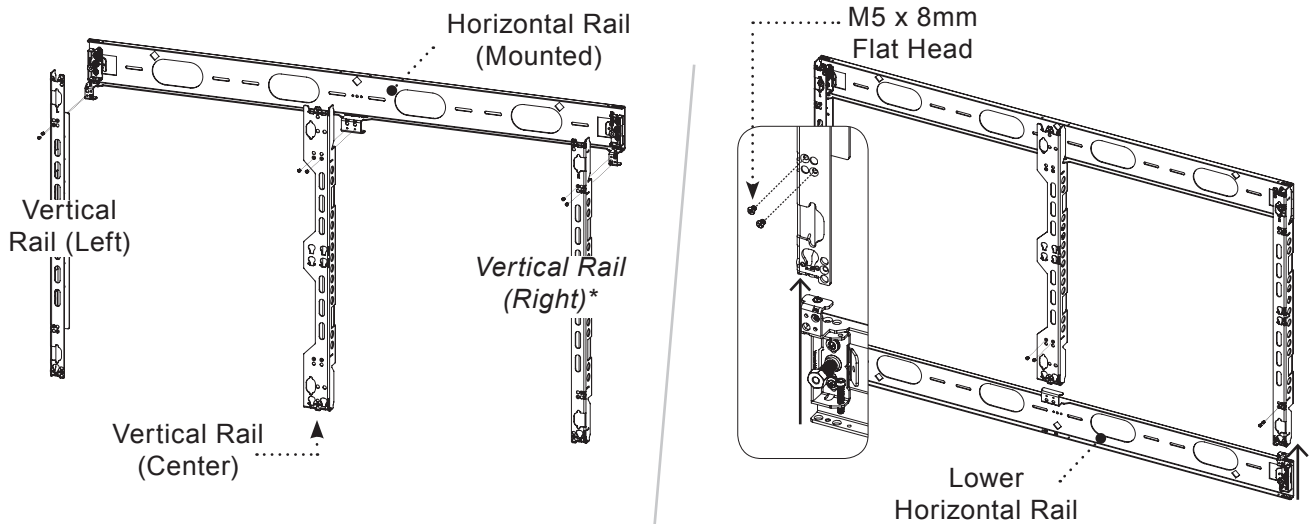


FBWM SAM IFJ

2

ASSEMBLE THE LOWER SECTION OF THE MOUNT

1. Securely fasten each Vertical Rail to a mounted Horizontal Rail using (2) M5 x 8mm Flat Head Screw per end.
2. Fasten the Lower Horizontal Rail but **do not anchor** until the mount is perfectly square. See sequential step.



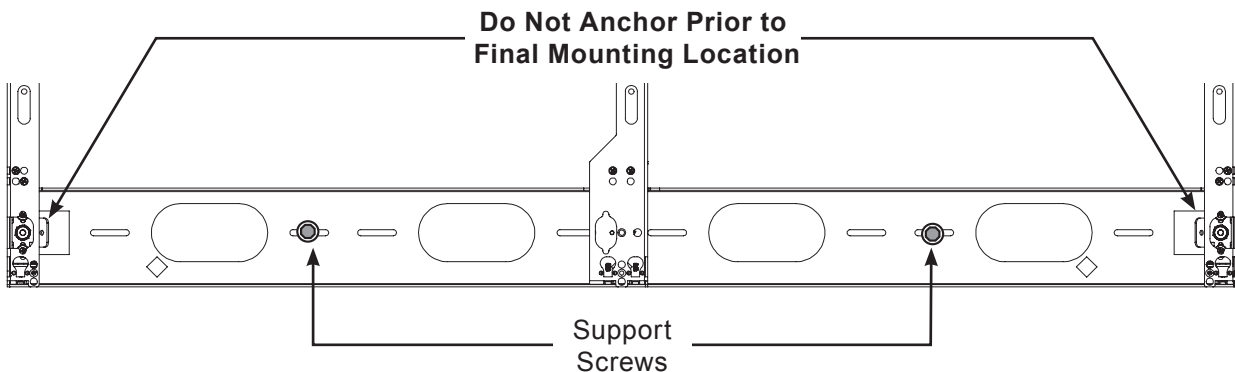
**Single unit configuration shown above. Left and right rails are for the entire array.*

3

Install a few support screws (commercially available hardware) to temporary hold the lower section in place prior to final mounting location.



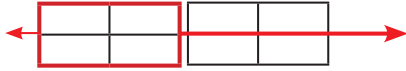
Installation is not finished within this step. After leveling the vertical brackets, secure the bottom horizontal to the wall. See step 8 for additional detail.



Multiple Unit Configuration

Extend Horizontally

To extend the width of the unit, follow the steps below.



1. Hang and position the second Horizontal Rail side by side.
2. Place a support screw while maintaining a leveled horizontal rail to temporary hold in place.
3. Install (2) Attachment Plate and fasten together using (4) M5 x 8mm Flat Head Screw for each rail.
4. Install the remaining Vertical Rails (center) using (4) M5 X 8mm Flat Head Screw.
5. Install the lower section of the mount as the steps above.

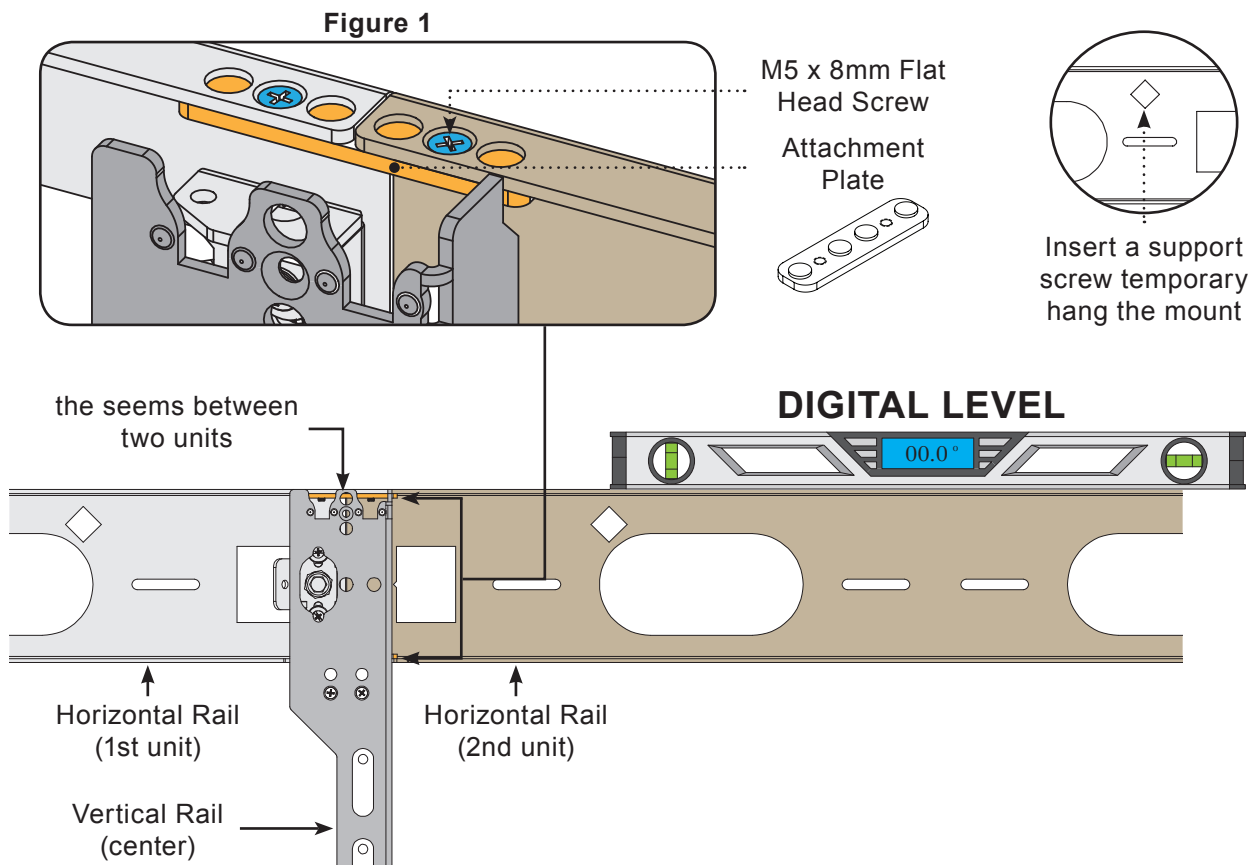


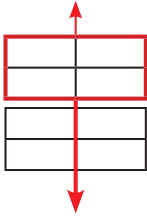
Figure 2



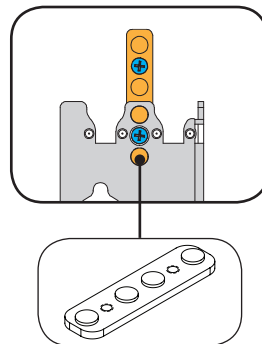
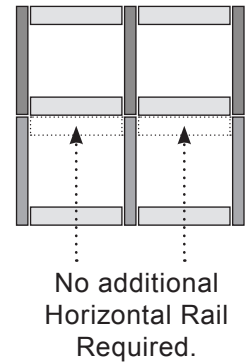
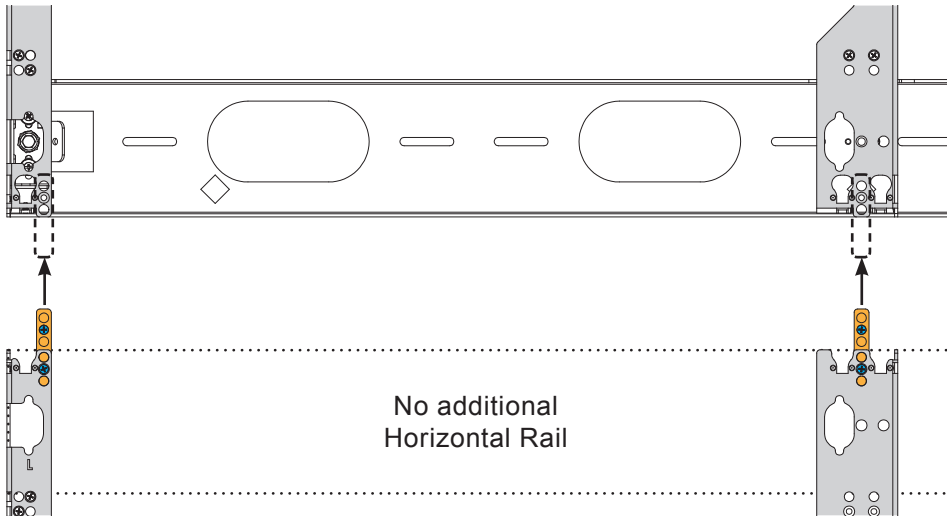
Multiple Unit Configuration

Extend Vertically

To extend the height of the unit, follow the steps below.



1. Position multiple units adjust to each other.
2. Joint the units together using multiple Attachment Plate and fasten using (2) M5 x 8mm Flat Head Screw per.
3. When extending the height of a video wall array, the middle row shares the Horizontal Rail between two units. Additional Horizontal is not required.



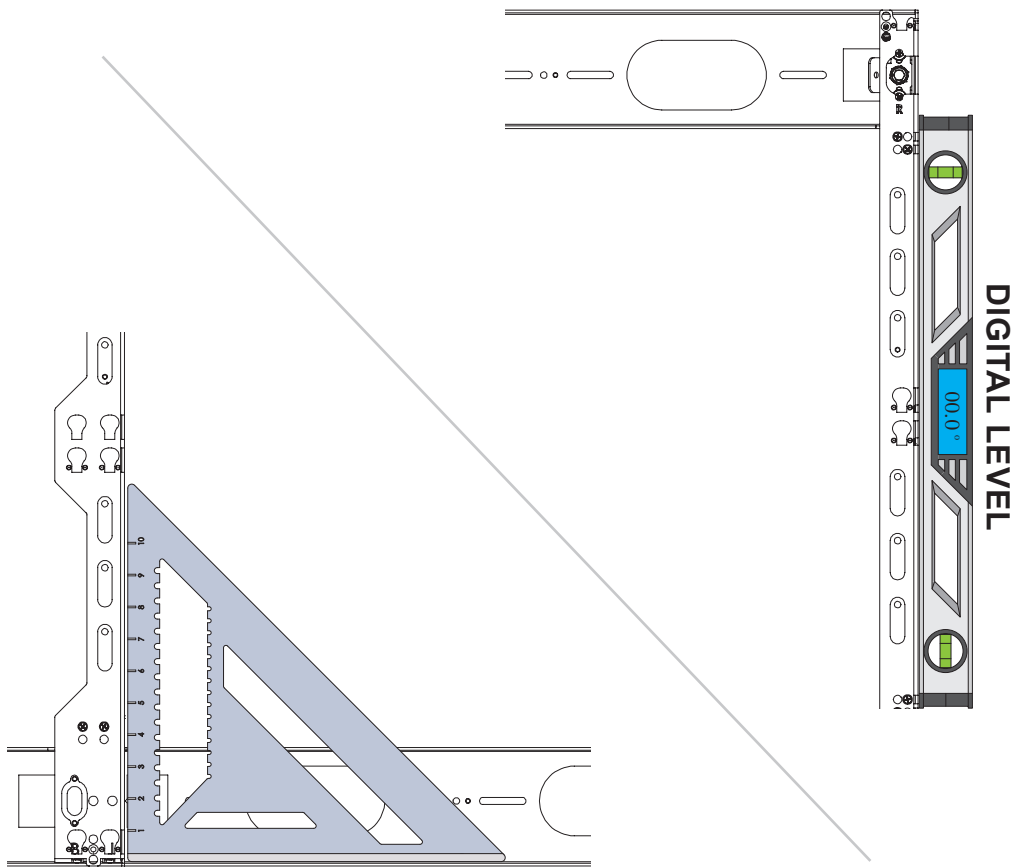
FBWM SAM IFJ

6

SQUARE AND LEVEL



Inspect each bracket using a Square and Level tool.

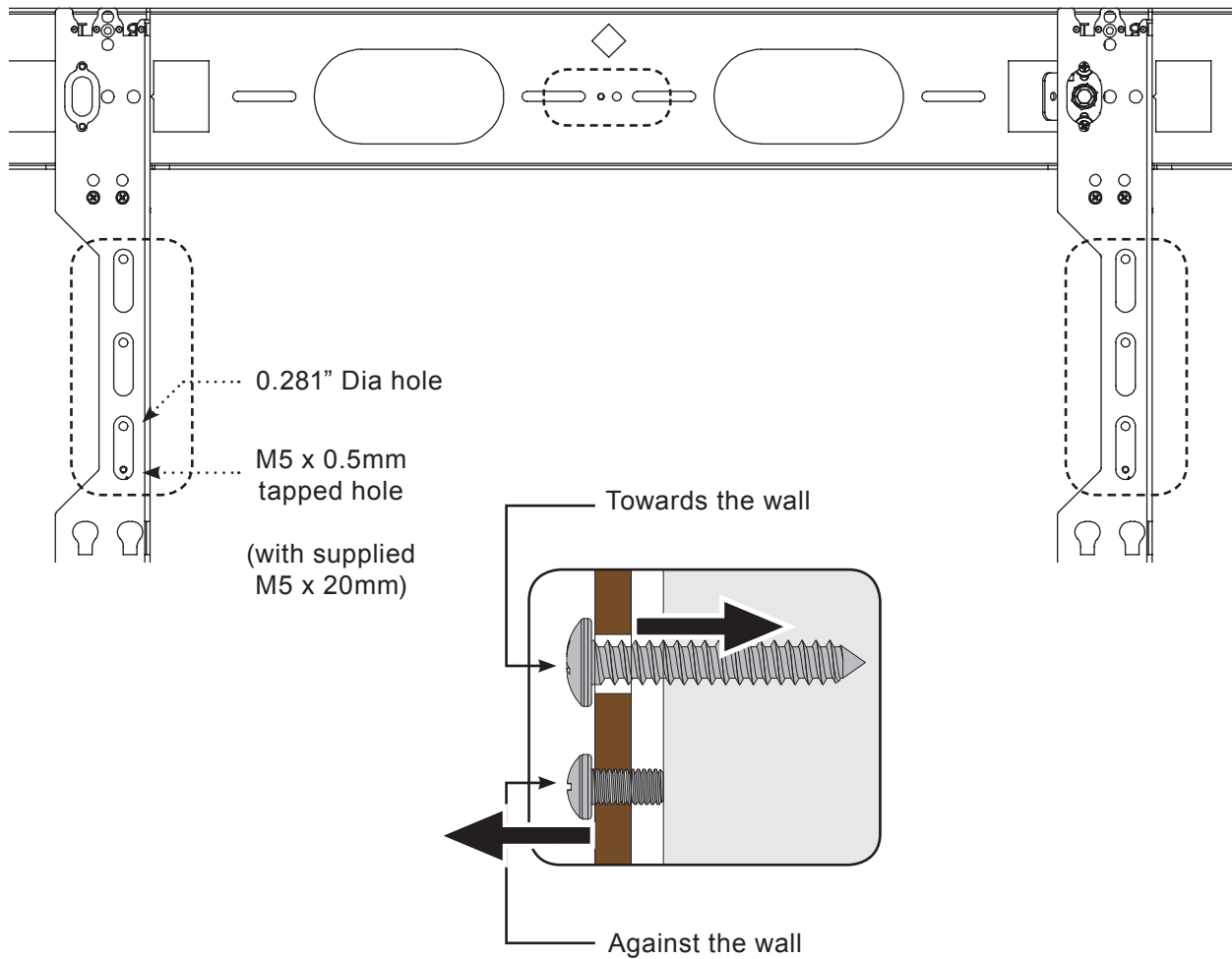


FBWM SAM IFJ

7

FINETUNE THE HORIZONTAL AND VERTICAL RAIL

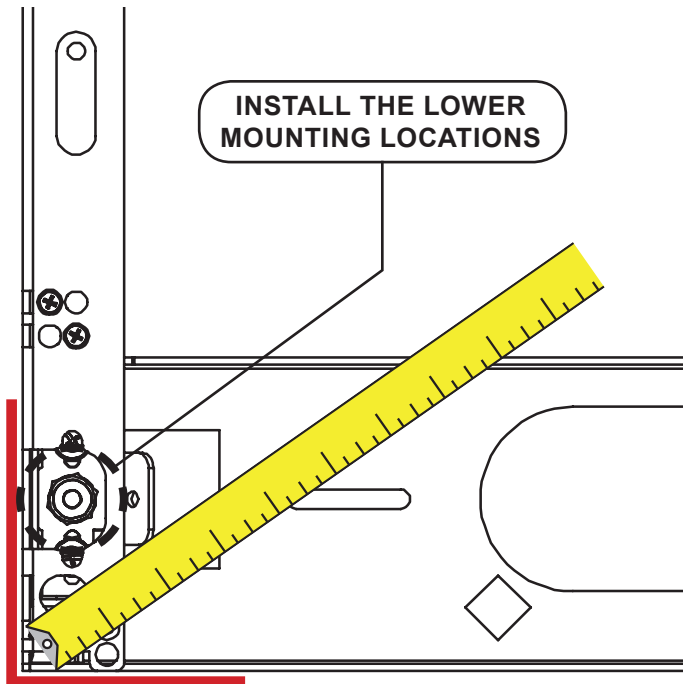
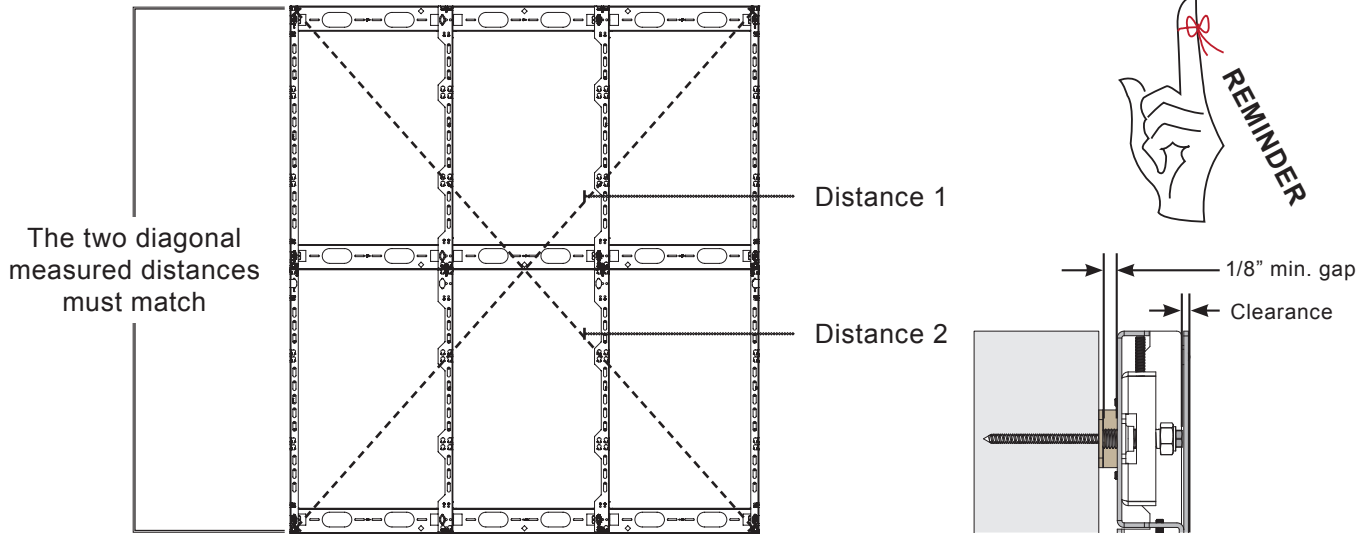
1. Install wherever necessary.
2. Use multiple drywall or wood screws to bring the bracket closer to the wall.
3. Use multiple M5 x 0.5 tapped screws to bring the brackets away from the wall.



FBWM SAM IFJ

8

VERY IMPORTANT: VERIFYING THE DIAGONAL MEASUREMENTS



1. Measure the distance from corner to corner with a measuring tape.
2. Measure diagonally opposite and verify the diagonal measurements.
3. Proceed only if the two measurements are equivalent.
4. Secure the lower mounting location by sliding a Wall Anchor Plate behind the mount and fasten using 1/4" x 5" Hex Lag and 1/4" Washer.



FINAL ALIGNMENT AND ADJUSTMENT

1. Tie a string from one end to the other end of the entire array.
2. Tie horizontally and crisscross, especially for large video wall array.
3. Inspect for any gaps between the brackets and the string.
4. Adjust any necessary mounting location. See Figure 2.

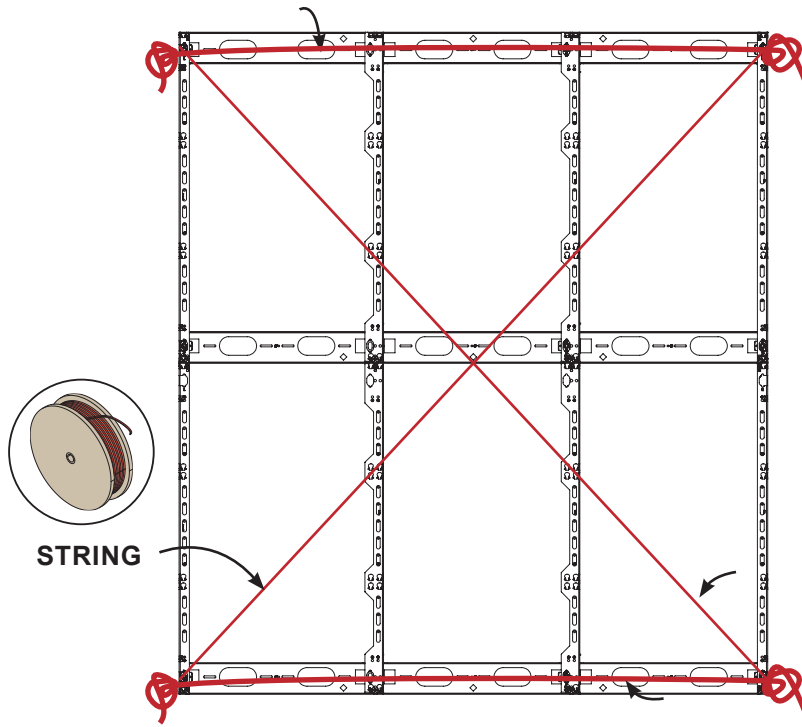


Figure 1

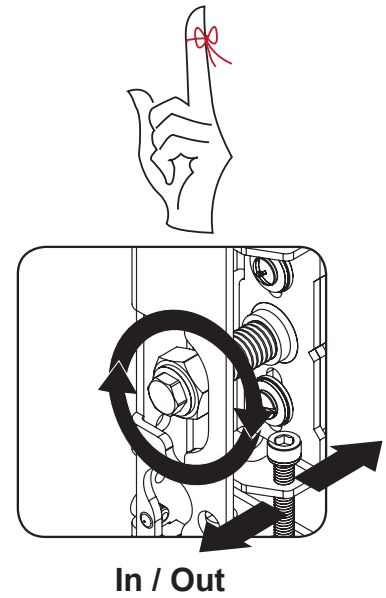


Figure 2

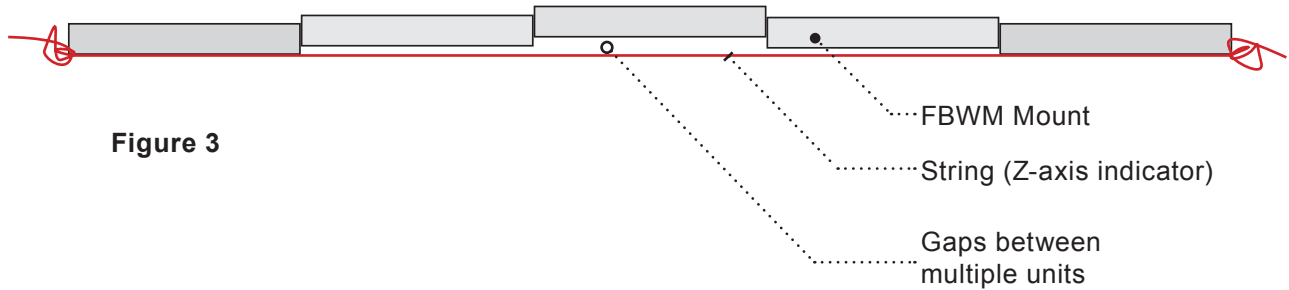


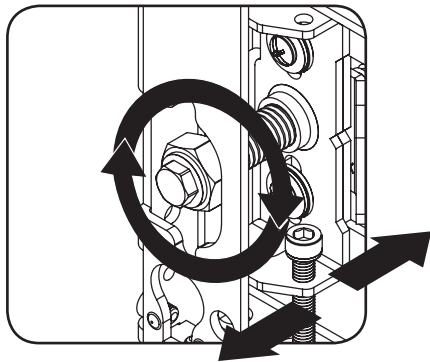
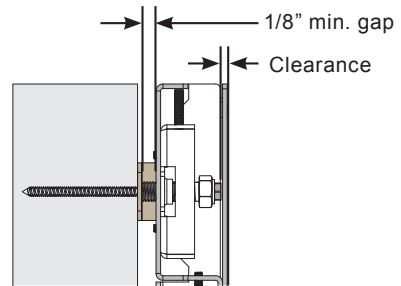
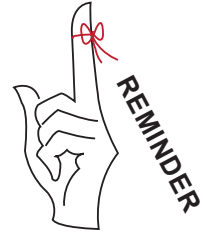
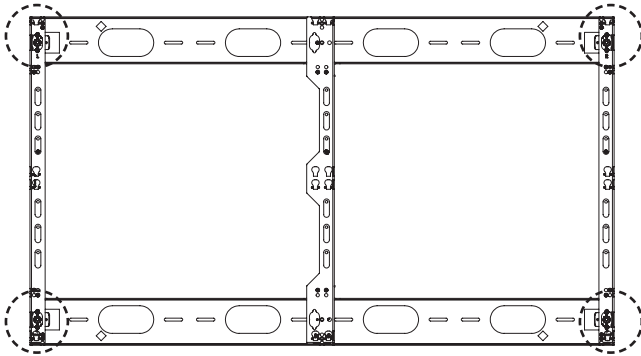
Figure 3



FBWM SAM IFJ

10

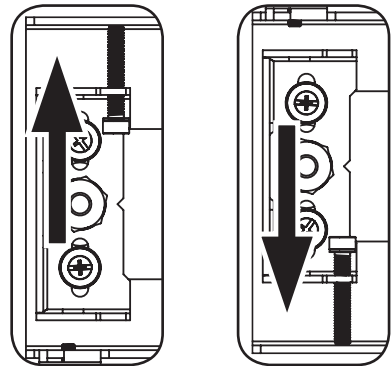
Adjustments



In / Out

Uneven wall surfaces can be adjust by turning the Flush Bolt.

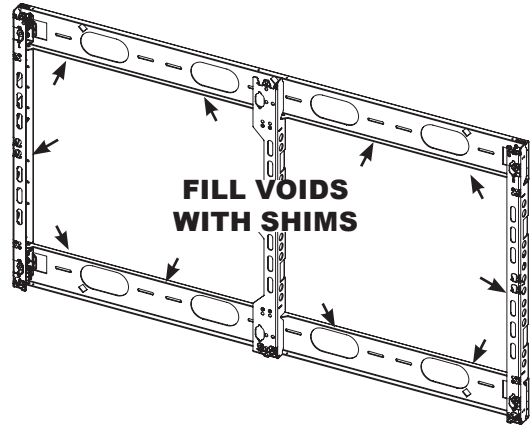
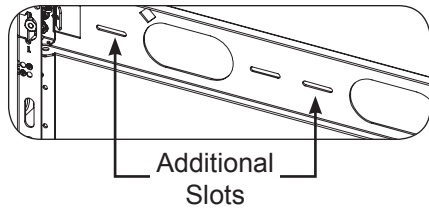
Up / Down



FBWM SAM IFJ

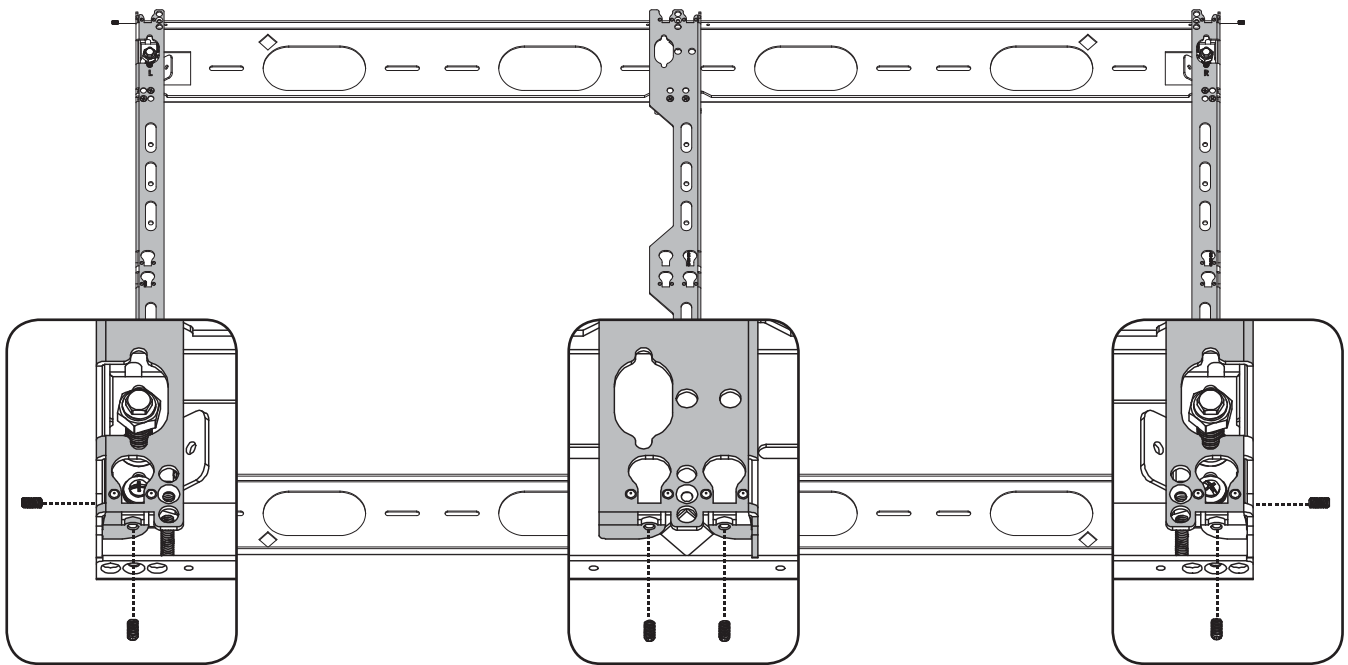
11

NOTES: If using the additional slots for mounting points, make sure that the floating frame is fully level to the wall vertically and horizontally. Must use shims (commercially available) on every slots being used to fill the void between the wall and the frame. Avoid over tightening the screws as this would make the floating frame uneven.



12

Insert multiple M5 x 0.5 x 10mm Cup Point Set Screws on the left, right, and bottom side of the mount. Adjust the LED Cabinets in sequential steps.

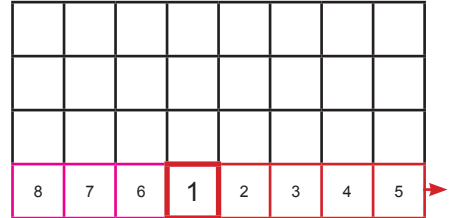


FBWM SAM IFJ

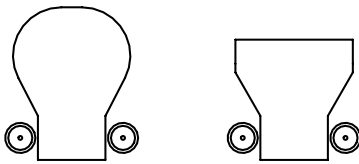
13

SAMSUNG IFJ LED DISPLAY INSTALLATION MANUAL must be read in conjunction with the recommended steps below. LED Cabinets to be handled by industry qualified professional. Improper installation may cause damage to the LEDs.

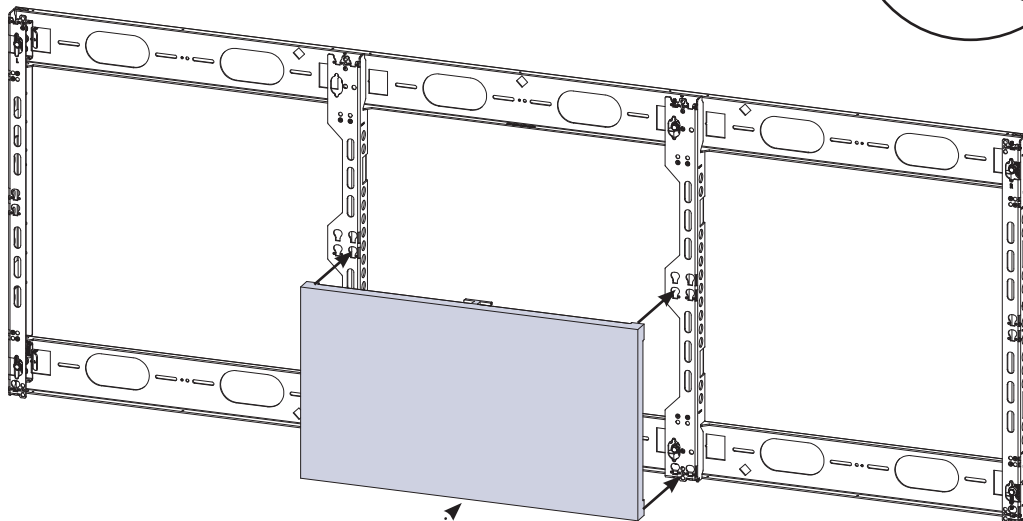
1. Install the first LED Cabinet from the center bottom row of the mount.
2. Position the LED Cabinet into the keyhole slot and slowly lower the cabinet.
3. Install adjacent or sequential cabinets and expand outward.
4. Finetune the LED Cabinets. Adjust the set screws located on the left, right, and bottom side of the mount.



Example: 8X4 Array



Keyhole Slot



LED Cabinet

Single unit configuration, 3 Wide by 2 High Video Wall, shown for clarity.

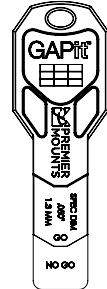


RECOMMENDATION ONLY: INSTALL WITH GAP-IT TOOL

1. Place a Gap-It Tool to wedge between two LED Cabinets to prevent abrupt release of the cabinets.
2. Slowly slide the Gap-It tool away from the LED Cabinets while lowering into place. See Figure 2.



PDS IS NOT RESPONSIBLE FOR ANY IMPROPER HANDLING OF THE LED CABINETS.



Cautionary Advice:
Do not damage the LEDs when lowering.

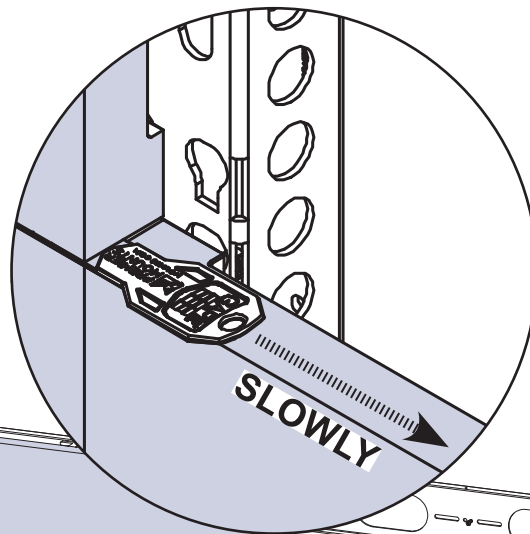


Figure 2

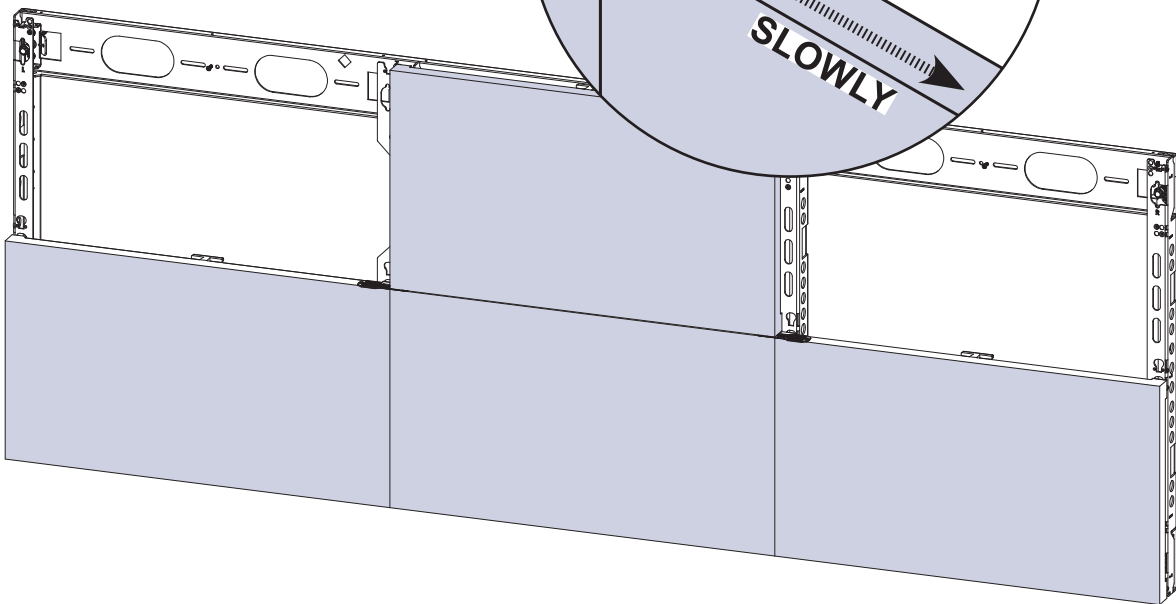


Figure 1



FBWM SAM IFJ

WARRANTY COVERAGE:

Premier Mount's\PDS warranty period for products used in "build-to-order" applications is 1 year for fabricated products. Electronic actuators and controllers are covered for 3 years. Batteries are covered for 12 months. The Warranty period is effective from the production date, as stated on the "ship date" and/or product label.

INITIATION OF A CLAIM:

Please contact Premier Mounts\PDS Inc. to obtain a Returned Materials Authorization (RMA) number prior to sending any product back to Premier Mounts\PDS. The following information is required before issuing the RGA number:

- Premier Mounts\PDS Item number
- Statement describing defect
- Line reject (Product that has failed or is rejected at the OEM) or field reject (Product that has failed at the OEM's customer)
- Brief description of any failure or impact to surround equipment or surfaces.

HOW TO REQUEST AN RMA:

1. Submit your request via Email: Orders@PremierMounts.com
2. Premier Mounts\PDS shall have the option of inspection of the goods on Buyer's premises or authorizing their return. No goods are to be returned without written consent nor shall Premier Mounts be liable for any expense, including inspection expenses, incurred by Buyer in order to remedy defects in said goods.
3. Premier Mounts\PDS will, at their option, provide credit, repair, or replace such products determined by Premier Mounts to be defective.

RETURNING THE PRODUCT TO PREMIER MOUNTS\PDS:

1. Products must be packed securely to insure no further damage upon arrival at Premier Mounts\PDS. Improperly packaged items will be considered non-warranty.
2. Line rejects must be shipped to Premier Mounts\PDS in a separate box using a separate RMA number from any field rejects.
3. Please return any defective products or parts to Premier Mounts\PDS. We will provide preferred carrier information) or by UPS small parcel. Shipping charges for product that is covered by warranty will be covered by Premier Mounts\PDS. Product that is non warrantable will be returned to the customer at their expense.

PREMIER MOUNTS
ATTN: Warranty Claims
500 W Central Ave, Suite A
Brea, CA 92821

WARRANTY UNITS - FIELD REJECTS:

- a. Field Rejects will be analyzed and full credit, repair, or replacement at Premier Mounts\PDS decision. If the products returned to Premier Mounts\PDS must be returned to the customer, the products will be repaired and marked as refurbished.
- b. For metal frames and structures that are integrated into the architecture, Premier Mounts will coordinate inspection to determine corrective action. Field repairs may be made at Premier Mounts direction and warranty units that required field repair will be done by Premier Mounts or their partners.
- c. For product that is returned and is found to have a non-warranty failure, the product will be scrapped and no credit will be issued.
- d. If the evaluation is complete and there is a "No Fault" found, a re-manufactured label will be placed on each unit and the units will be returned to the customer. The customer will be responsible for return shipment costs.

REPAIR OF NON-WARRANTY PRODUCT:

- a. If repair is needed for an item with a non-warranty failure, repair charges will be quoted via email. We request an approval within 5 business days. If no response is received, the product will be scrapped.
- b. The products will then be repaired and marked as refurbished. A re-manufactured label will be placed on each unit.
- c. Units outside the warranty period that are returned for evaluation will be charged an analysis fee of \$40.00 per unit.
- d. Units outside the warranty period will not be repaired.

Premier Mounts intends to make this manual accurate and complete. However, Premier Mounts makes no claim that the information contained herein covers all details, conditions or variations, nor does it provide for every possible contingency in connection with the installation or use of this product. The information contained in this document is subject to change without notice or obligation of any kind. Premier Mounts makes no representation of warranty, expressed or implied, regarding the information contained herein. Premier Mounts assumes no responsibility for accuracy, completeness or sufficiency of the information contained in this document.