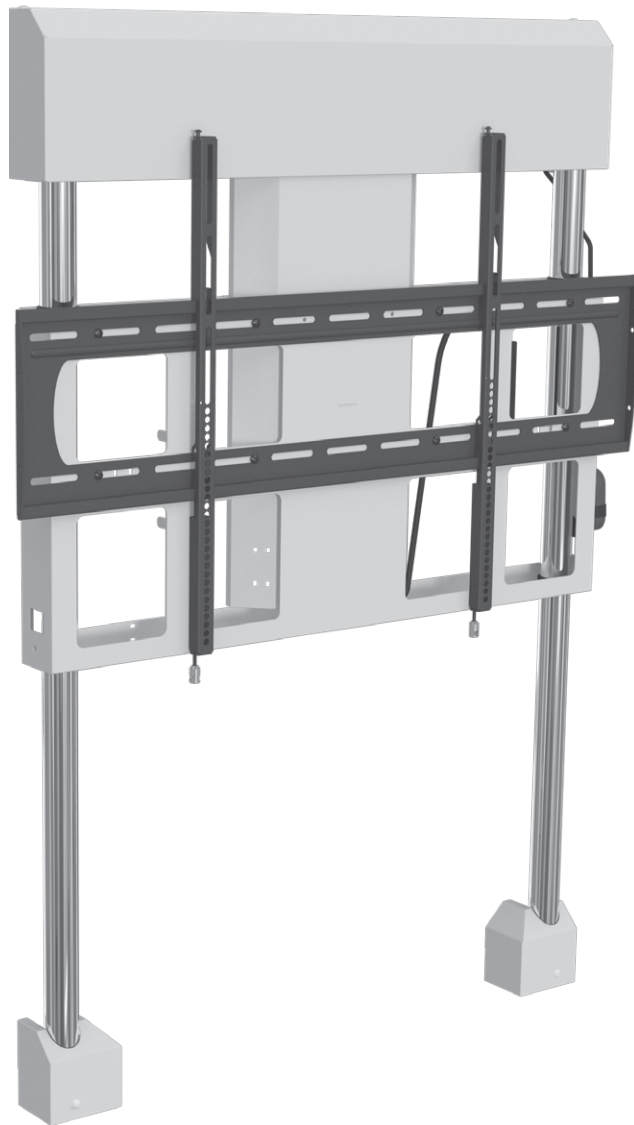


# FPS-200

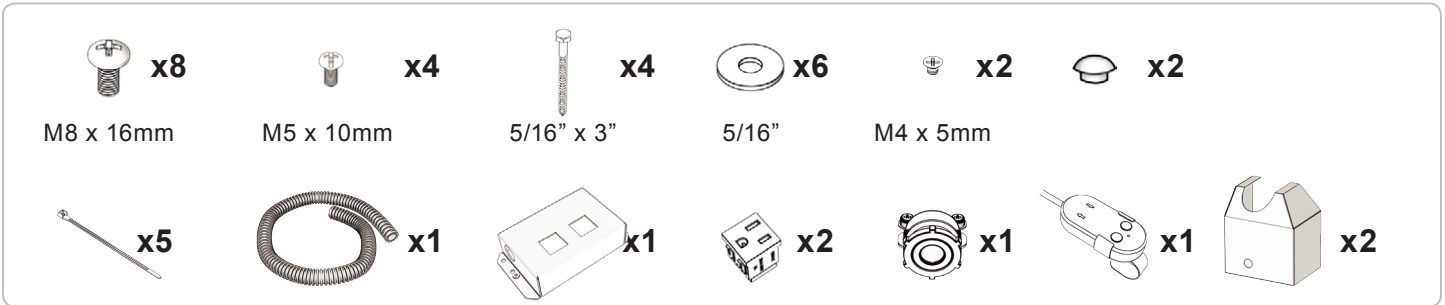
## Installation Guide

Installationsanleitung, Guía de Instalación, Guida de Installazione, Guide d'Installation, Installatie gids

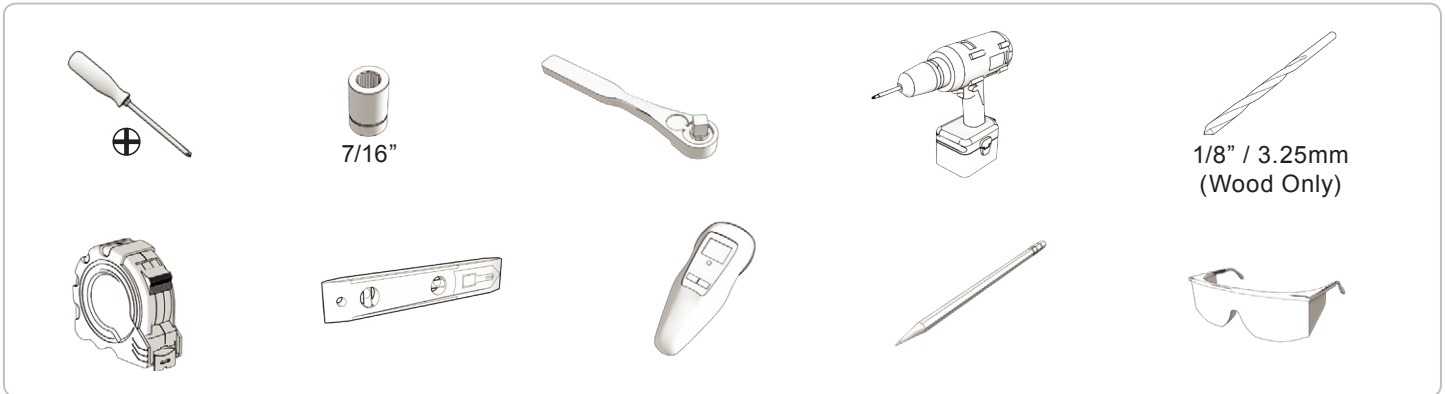


[premiermounts.com](http://premiermounts.com) | p. 800.368.9700 | e. [orders@premiermounts.com](mailto:orders@premiermounts.com)  
500 W Central Ave, Suite A, Brea, CA 92821 USA

## Included components

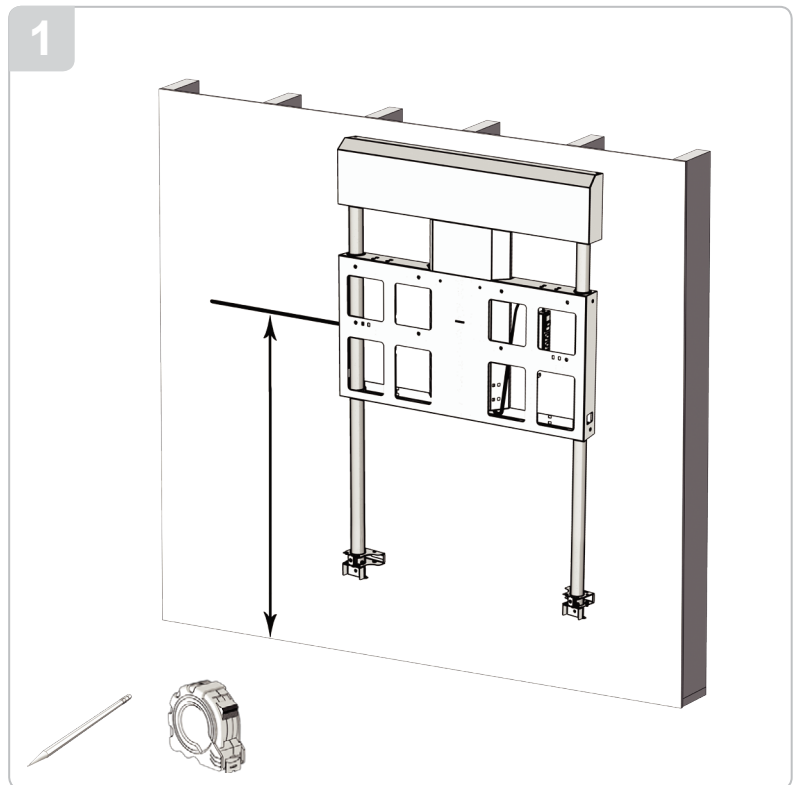


## Required for installation



**Important Note:** Please take the time to completely read the installation manual and confirm your understanding of all steps for the proper installation of the FPS-200 power lift system. Remove all items from the carton and confirm that you have the complete kit. Should you have any missing items, please call (800) 368-9700, or internationally at (714) 632-7100 and ask for customer service.

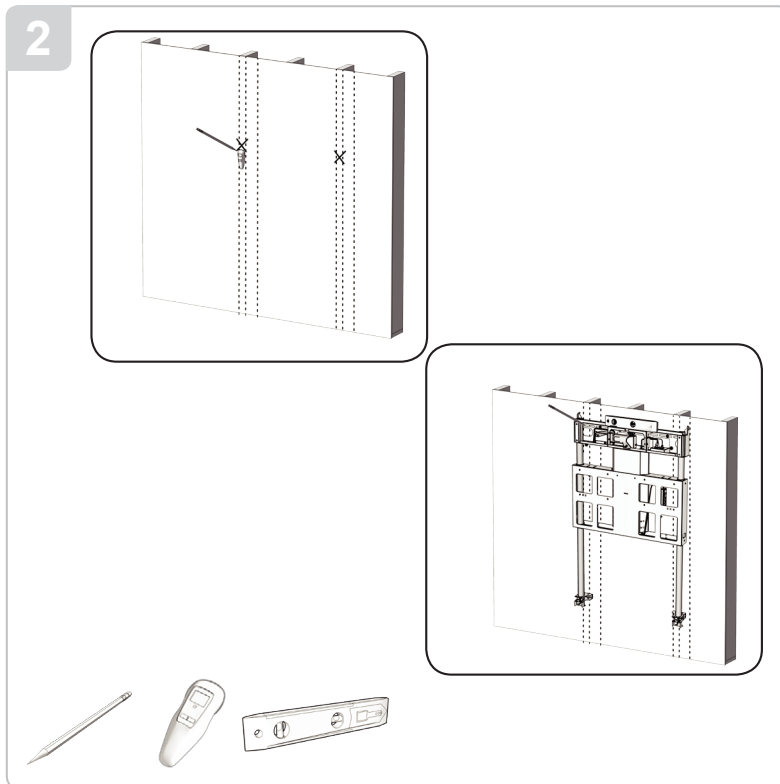
Step 1: Determine where the desired "centered" height of the display will be, and make a small pencil mark on the wall to indicate. With a minimum of two people, raise the FPS-200 to the wall and mark the center of travel point between the two chrome tubes with your pencil. Measure from the center point of the tubes to the top of the wall mount's slotted mounting points and notate the distance.



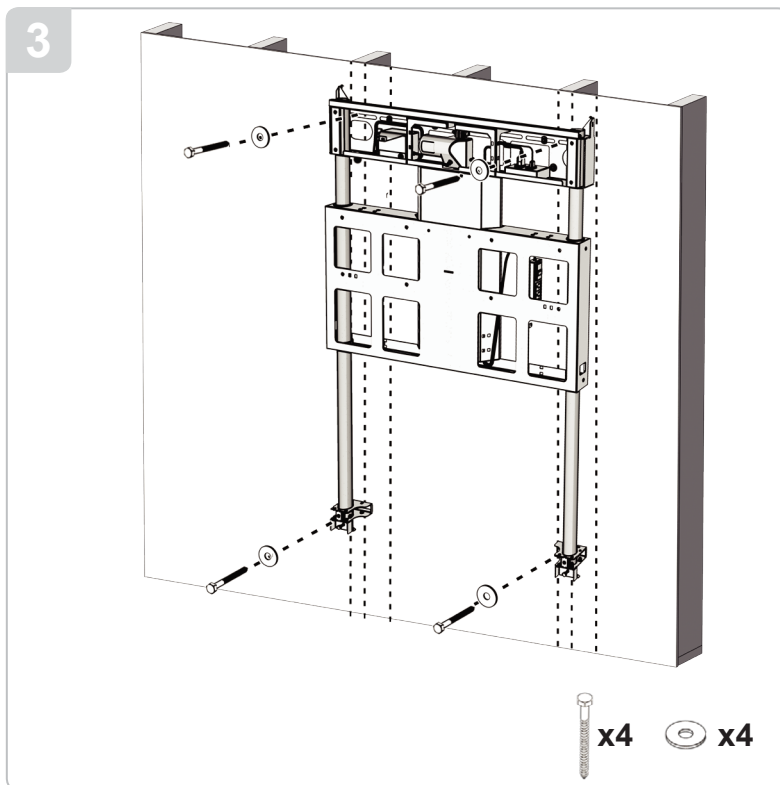
# FPS-200

## Installation Guide

Installationsanleitung, Guía de Instalación, Guida de Installazione, Guide d'Installation, Installatie gids



Step 2: With a stud finder, locate the 16" or 24" mark on the center studs inside the wall closest to the desired mounting point and center the mount left to right, then top to bottom. With your pencil, mark the upper and lower left and right mounting points through the mounting plate. Set the FPS-200 aside and drill the four pilot holes.

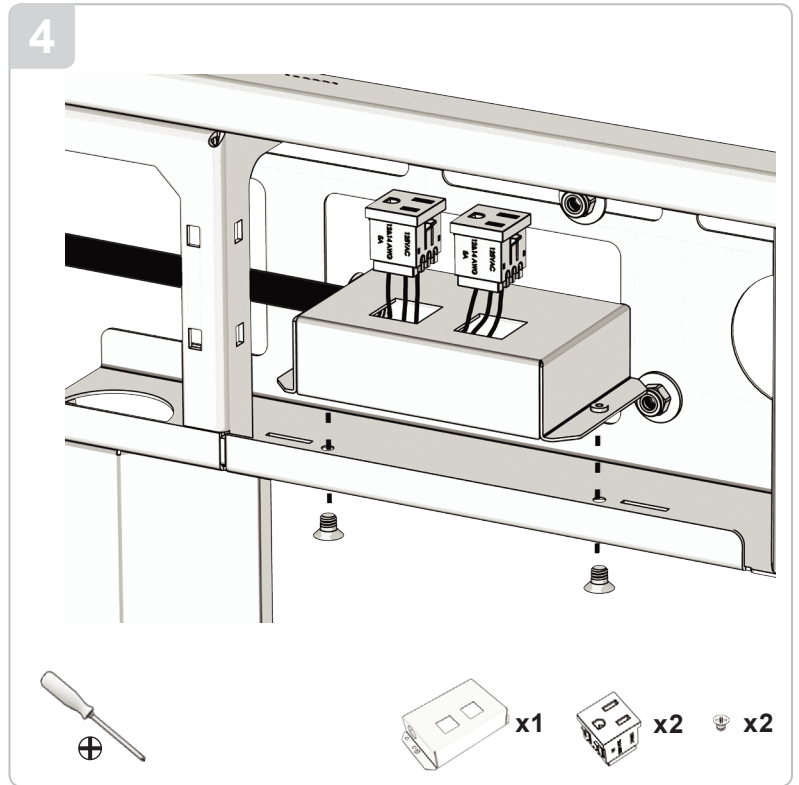


Step 3: With a minimum of two people raise the FPS-200 and secure it to the wall with the 5/16" x 3" lag bolts and flat washers. Note: If you plan to toggle the bolts to steel studs in either the top or bottom mounting points, the 1/4" pilot hole will have to be drilled out with a 5/16" drill to allow for the wedge anchors to be a minimum depth of 3" (75mm).

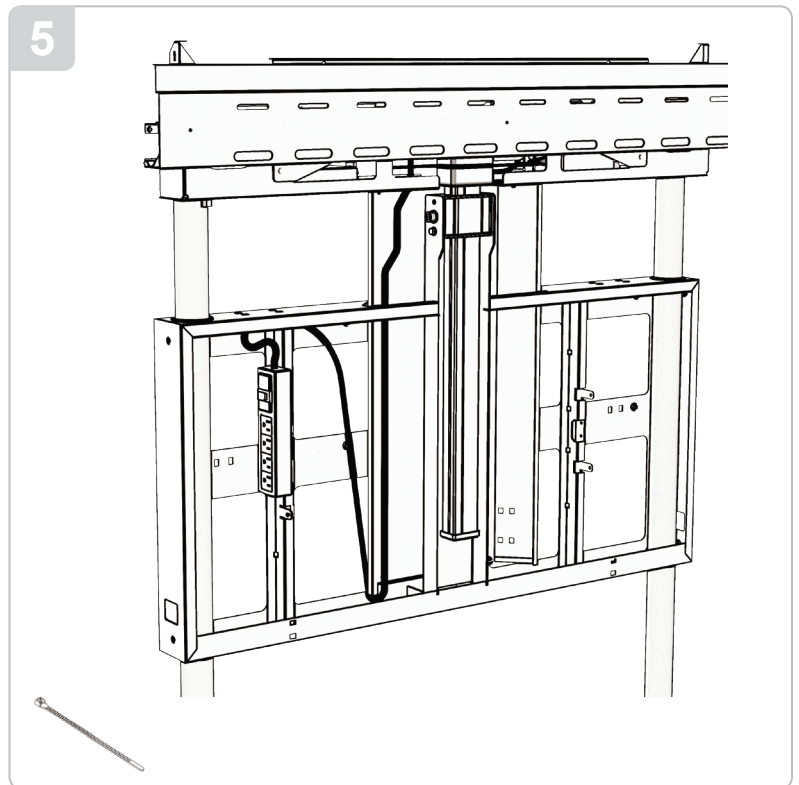


Step 4: With the base FPS-200 securely mounted to the wall, the two A/C power outlet boxes can now be mounted to the FPS-200 frame.

Note: The upper power box needs to have the two outlets "hard wired" to them.



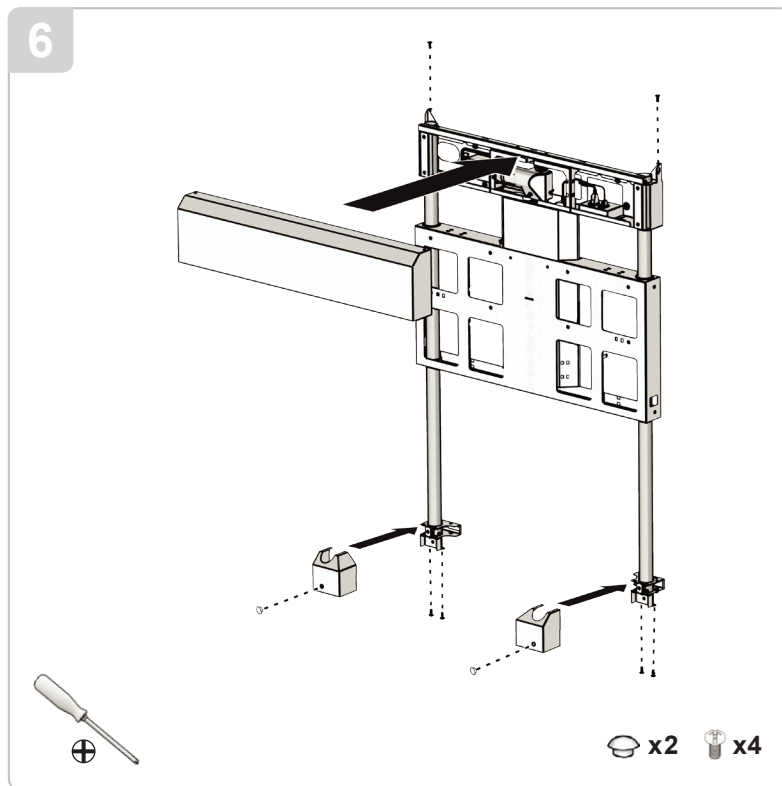
Step 5: Confirm that all power and signal cables are properly strapped to the FPS-200 frame to allow free movement of the cables during the complete up and down travel of the powered mount.



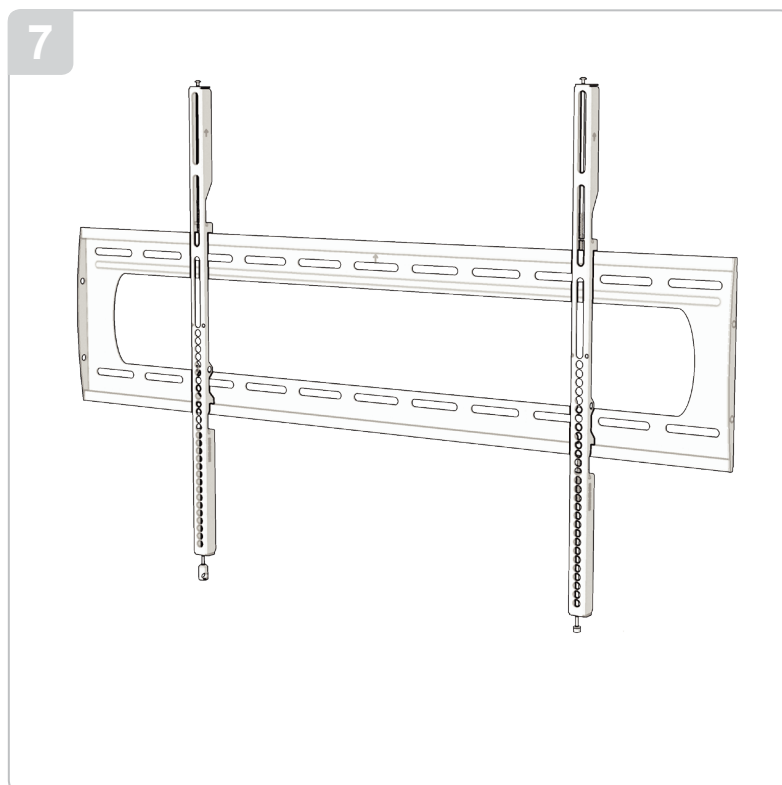
# FPS-200

## Installation Guide

Installationsanleitung, Guía de Instalación, Guida de Installazione, Guide d'Installation, Installatie gids



Step 6: With the system now powered and level, re-attach the upper and lower covers with the supplied hardware that you removed.



Step 7: Install the "P" series flat mount with the supplied hardware, following the installation instructions supplied with the "P" series flat wall mount. Make sure you center the mount to conform with the original center travel height that you previously marked on the wall.

