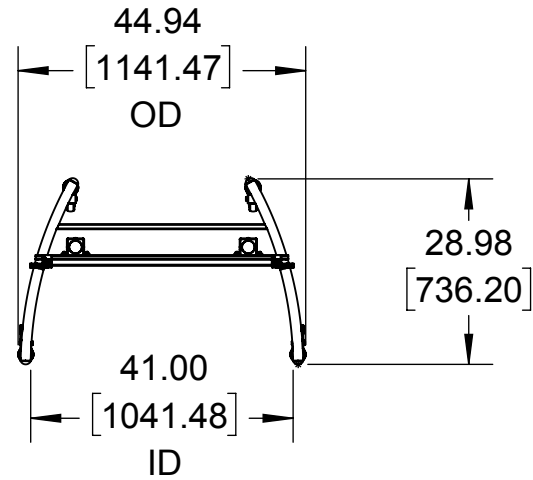
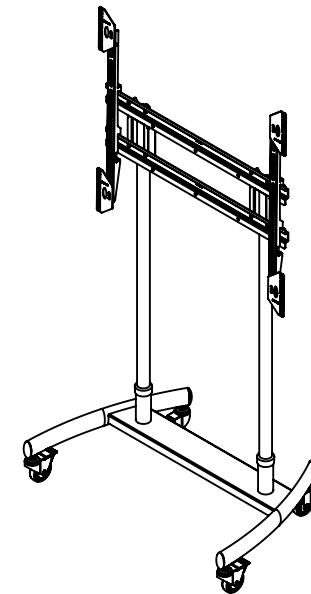
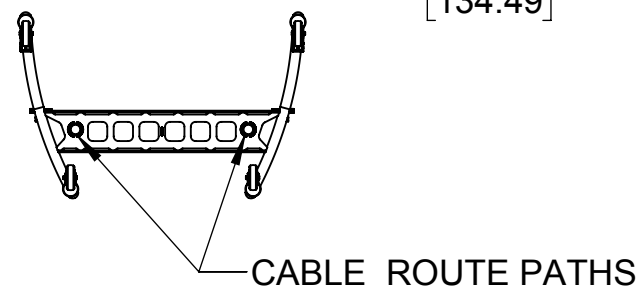
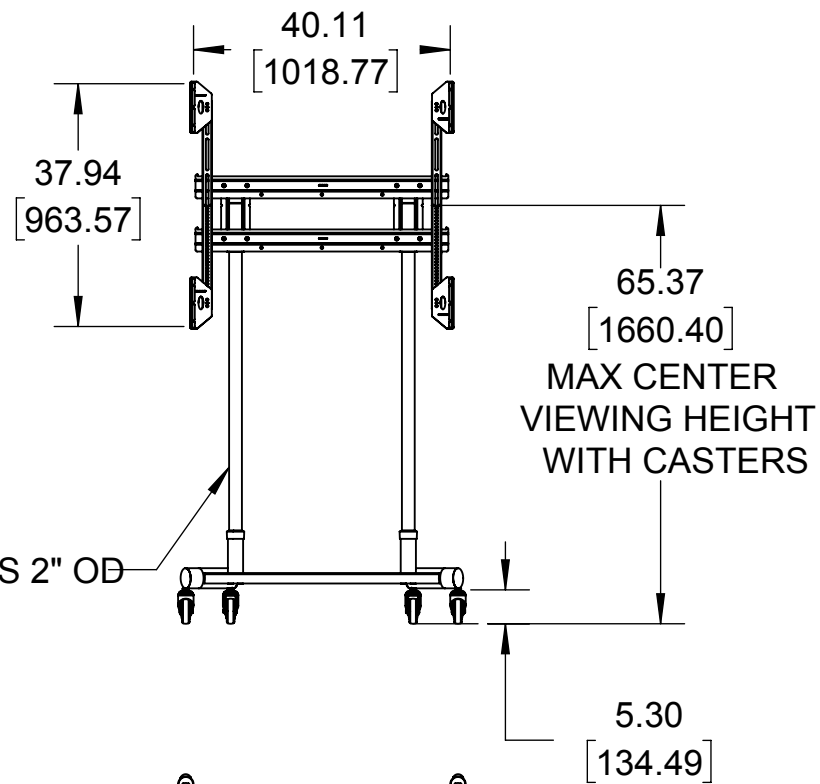


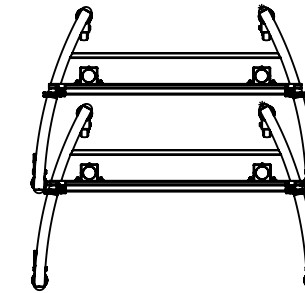
THE INFORMATION CONTAINED IN THIS DRAWING IS THE SOLE PROPERTY OF PREMIER MOUNTS DIVISION OF < PMPI > ANY REPRODUCTION IN PART OR WHOLE WITHOUT THE WRITTEN PERMISSION OF PREMIER MOUNTS IS PROHIBITED.



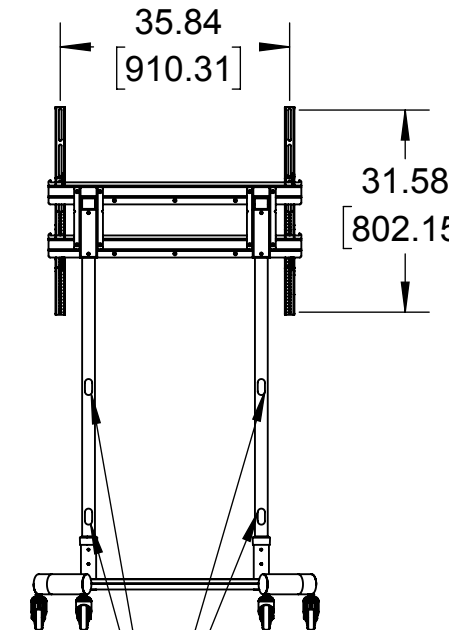
MAXIMUM VESA WITH EXTENSION ADAPTERS



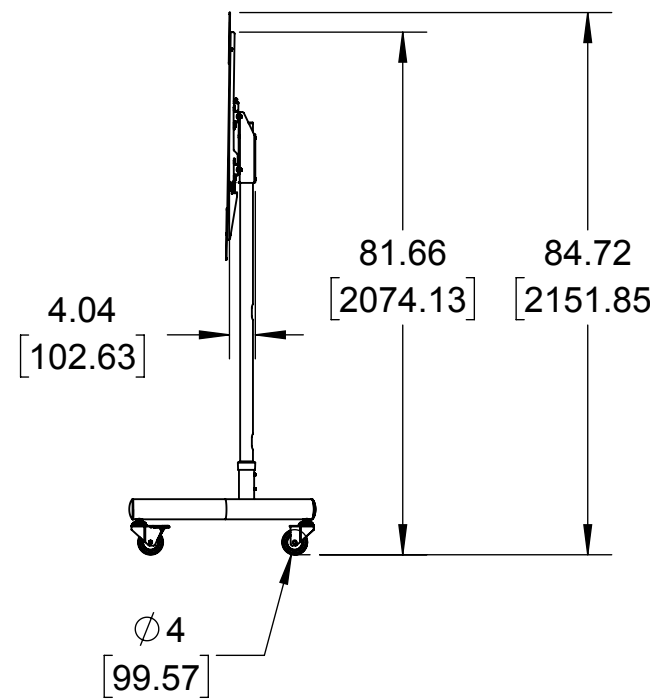
(NESTING CAPABILITY)



MAXIMUM VESA WITHOUT EXTENSION ADAPTERS



CABLE ROUTE PATHS



PREMIER MOUNTS
500 W Central Ave, Suite A
Brea, CA 92821

ITEM DESCRIPTION:

LARGE FORMAT MOBILE CART

SIZE B DWG. NO. **LFC-L / LFC-LB**

SCALE: 1:30

SHEET 1 OF 1