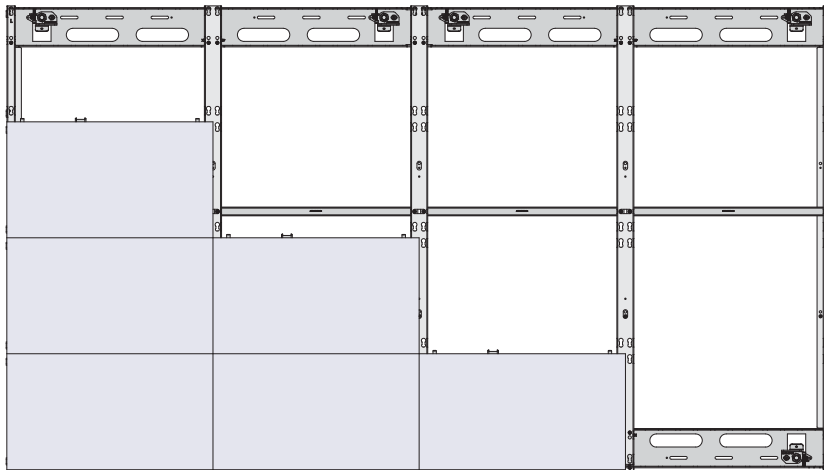
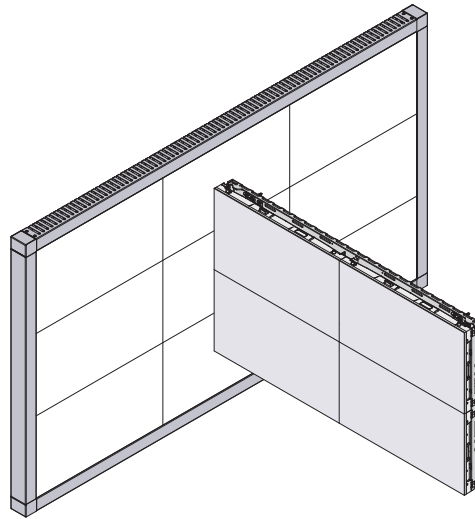


# SERIES: LG-LSA INSTALLATION GUIDE

## Convergent Series Video Wall Mount For LG LSA LED Cabinets



[premiermounts.com](http://premiermounts.com) | p. 800.368.9700 | e. [orders@premiermounts.com](mailto:orders@premiermounts.com)  
500 W Central Ave, Suite A, Brea, CA 92821 USA

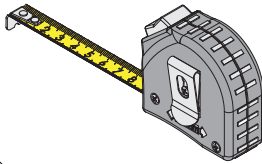
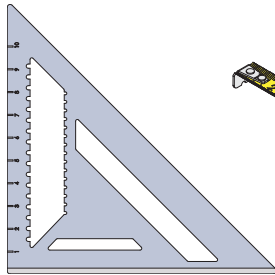
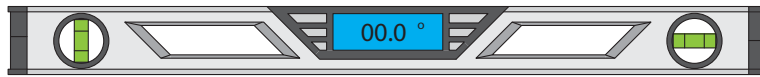
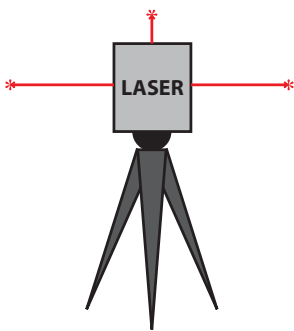
9500403 v1.0  
publ. 10/19/20

# LG LSA

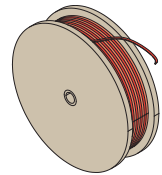
## CAUTION STATEMENTS

1. READ ALL STEPS WITHIN THIS MANUAL BEFORE INSTALLING THE MOUNT. **LG LSA LED SERIES INSTALLATION GUIDE** MUST BE READ IN CONJUNCTION FOR SUCCESSFUL INSTALLATION. ANY QUESTIONS? CALL PREMIER MOUNTS.
2. INSTALLATION MUST MEETS THE REQUIREMENTS APPROVED BY THE STRUCTURAL ENGINEER.
3. FRAME MUST BE PLUMBED, SQUARED, LEVELED, X, Y, AND Z ALIGNED PRIOR TO INSTALLATION OF ANY DISPLAYS.
4. ALL LED CABINETS MUST BE **POWER ON TESTED** PRIOR TO ANY INSTALLATION.
5. PREMIER MOUNTS RECOMMENDS THE HANDLING LED CABINETS BY AN INDUSTRY QUALIFIED PROFESSIONAL.
6. PREMIER MOUNTS IS NOT RESPONSIBLE FOR DEFECTS, MISUSE, OR IMPROPER HANDLING OF THE LED CABINETS.

Tools for Installation:



Anti-Static  
Gloves



Spool of  
colored strings

## WALL REQUIREMENTS:

Solid or continuous plywood backing with a **min of 3/4" thickness**, sound and secured to handle the total combined weight of the mount and LED cabinets.

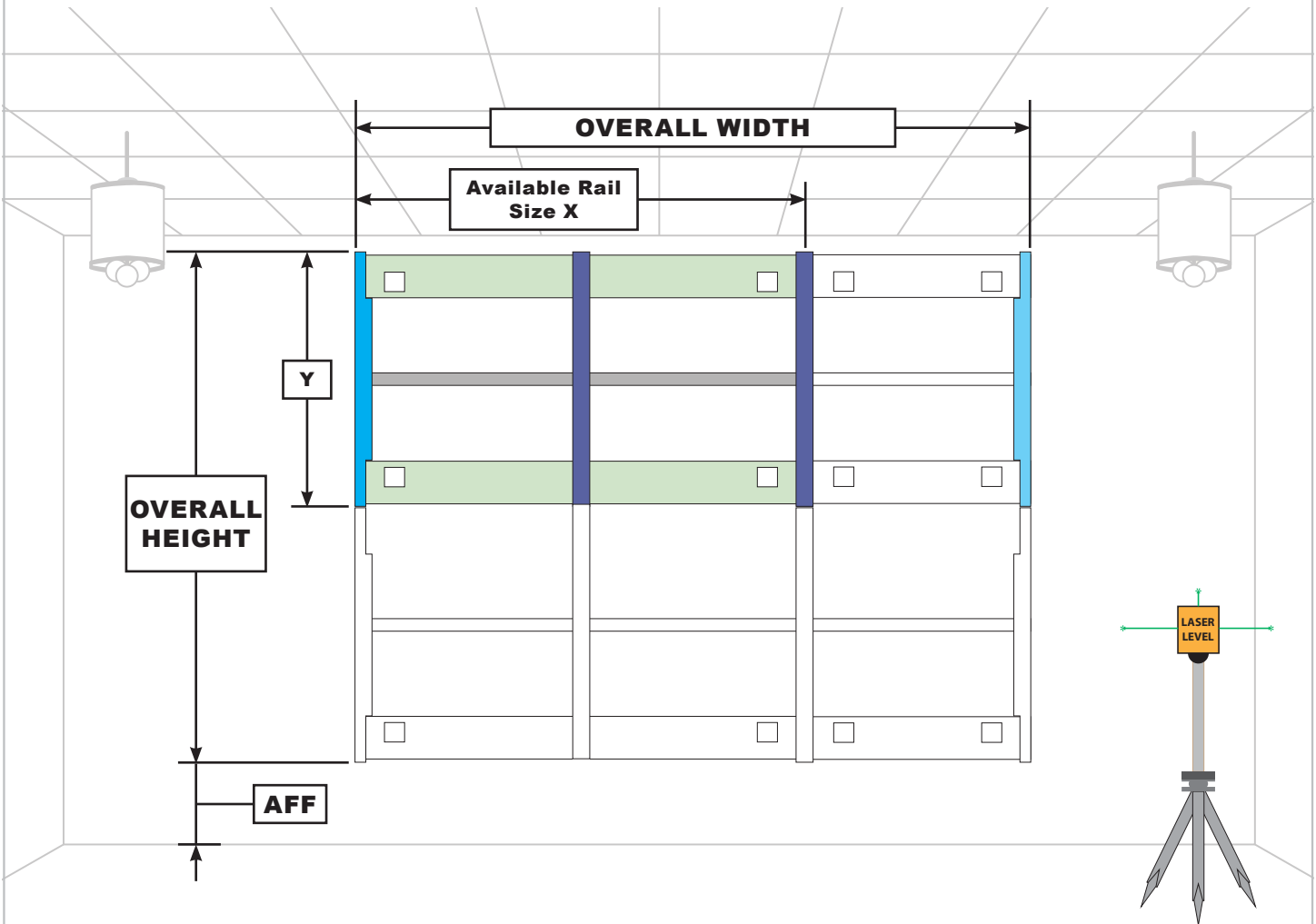
## MAX FLATNESS ADJUSTMENT

±1/2" or 1" max adjustment range for flatness of wall, over the entire wall surface



# LG LSA

## VIDEO WALL DIMENSIONS AND MOUNTING LOCATIONS



	Available Size	Imperial (Inches)	Metric (Millimeters)
X	1 Wide	23.6	599
	2 Wide	47.22	1199
	3 Wide	70.85	1799
Y	1 High	13.27	337
	2 High	26.55	674
	3 High	39.84	1012
	4 High	53.13	1349

The overall dimensions of any video wall array can be calculated by using the table within this page.

The desired array size is a combination of available sizes. Add the available sizes together to find the overall width or height of a given array.

For modular configuration, any combination of the rails does not affect the overall dimension of the mount.

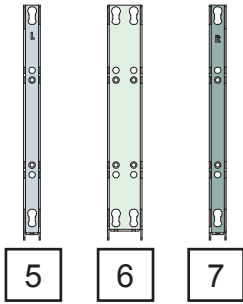
Example: an 2X4 is 47.22" x 53.13", and 4X8 is 94.44" x 106.26"



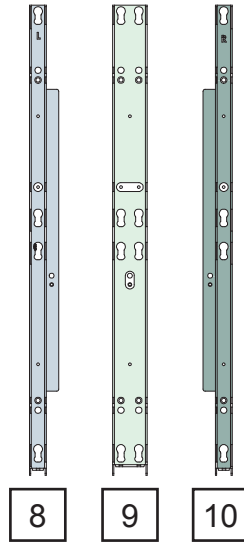
# LG LSA

ITEM #.	PART NO.	DESCRIPTION
1	4000-107-076-LX	Horizontal Support Bar
2	4000-107-001-LX	Horizontal Rail 1H
3	4000-107-002-LX	Horizontal Rail 2H
4	4000-107-003-LX	Horizontal Rail 3H
5	4000-107-011-LX	Left Vertical Rail 1V
6	4000-107-012-LX	Center Vertical Rail 1V
7	4000-107-013-LX	Right Vertical Rail 1V
8	4000-107-021-LX	Left Vertical Rail 2V
9	4000-107-022-LX	Center Vertical Rail 2V
10	4000-107-023-LX	Right Vertical Rail 2V
11	4000-107-031-LX	Left Vertical Rail 3V
12	4000-107-032-LX	Center Vertical Rail 3V
13	4000-107-033-LX	Right Vertical Rail 3V
14	4000-107-041-LX	Left Vertical Rail 4V
15	4000-107-042-LX	Center Vertical Rail 4V
16	4000-107-043-LX	Right Vertical Rail 4V

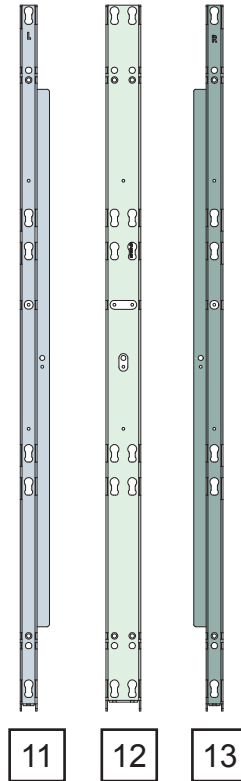
## 1 HIGH



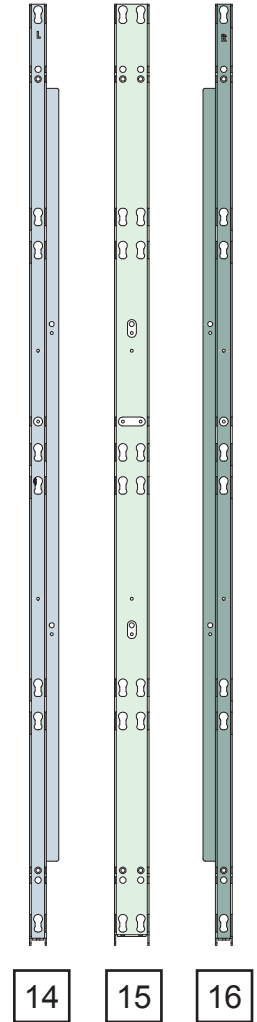
## 2 HIGH



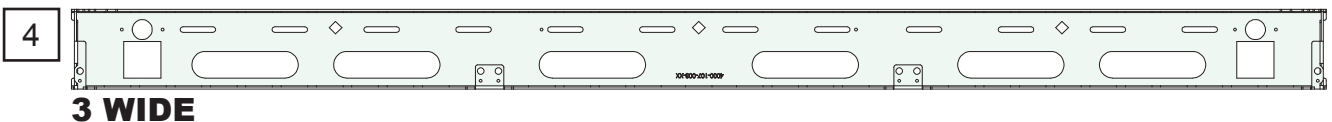
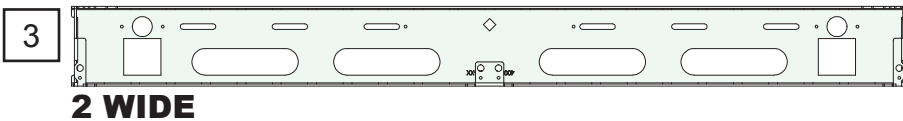
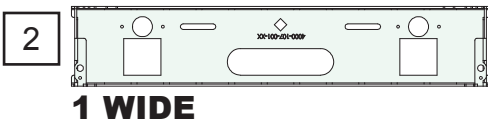
## 3 HIGH



## 4 HIGH



**AVAILABLE SIZES**

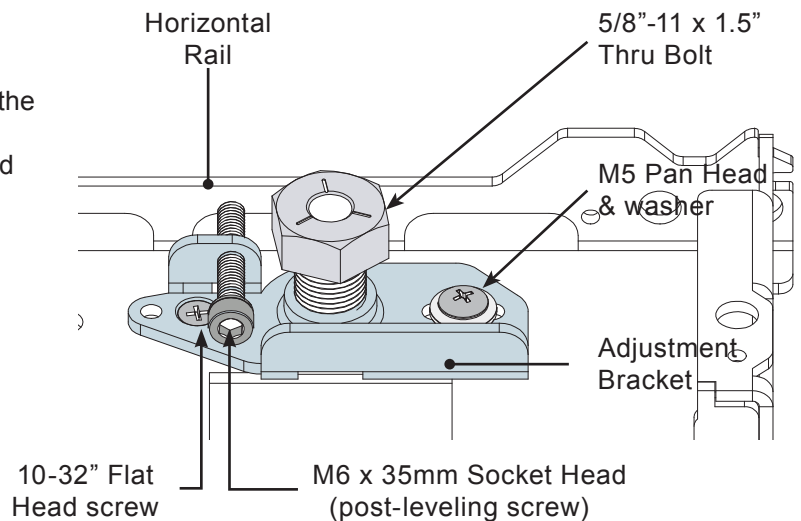


# LG LSA

## PRE-INSTALLATION

### STANDARD MOUNTING PROCEDURE

1. Attach the Adjustment Bracket to every mounting location (Horizontal Rail) prior to the installation of the mount, as shown.
2. Loosely fasten the M6 x 35mm Socket Head to the bracket. The tip of the screw should NOT touch the surface of the horizontal bracket to allow adjustments at post installation.



### SPECIAL MOUNTING PROCEDURE

1. If any pre-drilled hole or off-center hole were created before or during installation, remove/loosen the screws shown in figure 1 to expose the mounting point.
2. Re-position the bracket to the respective hole and anchor using the 5/16" Hex Lag screw (shown in sequential step). The socket head screw must be twist in to stabilize the Horizontal Rail if the flat head screw is not used.

**Note:**

Use the Thru Bolt bushing when using a drill to create a pilot hole for concrete applications.

Reinforce the mounting location by using a self-tapping screw as an alternative for the flat head screw after anchoring the bracket (optional).

Figure 1

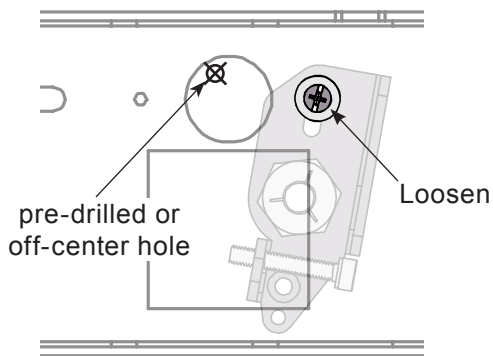
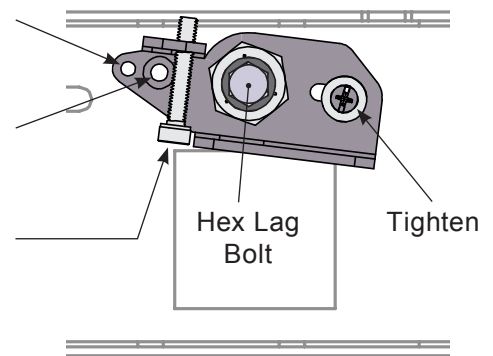


Figure 2

0.19" diameter for #8 or M5 self tapping screw (optional).

Secure using the flat head screw if possible.

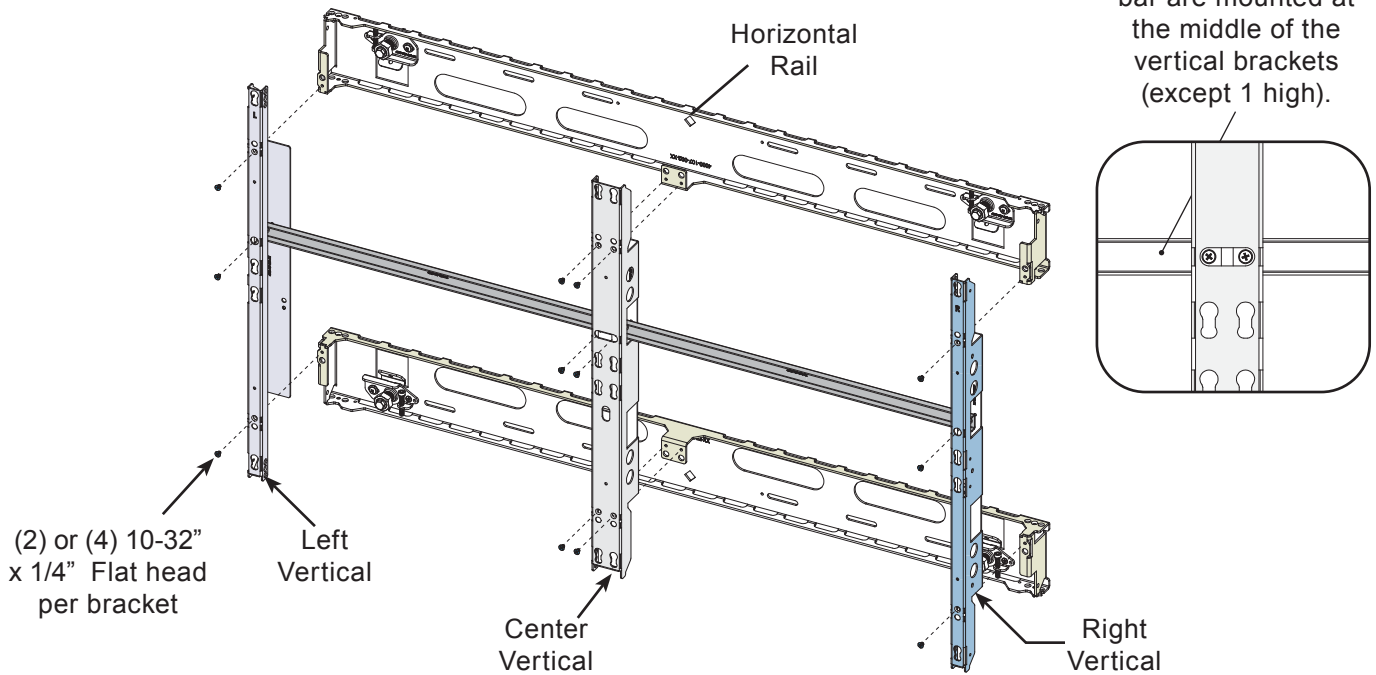
Twist in to stabilize the horizontal rail



# LG LSA

## ASSEMBLE THE FRAME

1



Shown as a single unit configuration (bracket size and array size are the same). **If** the array size is greater than the bracket size, multiple rail brackets are used to extend to the desired array size (see page 8-9 for detail).

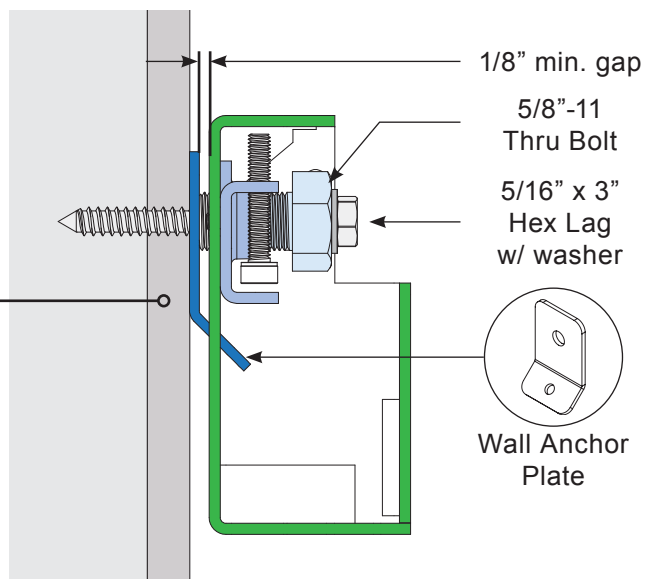
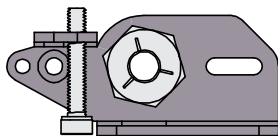
## MOUNTING SURFACE INFORMATION

2



### WALL REQUIREMENT:

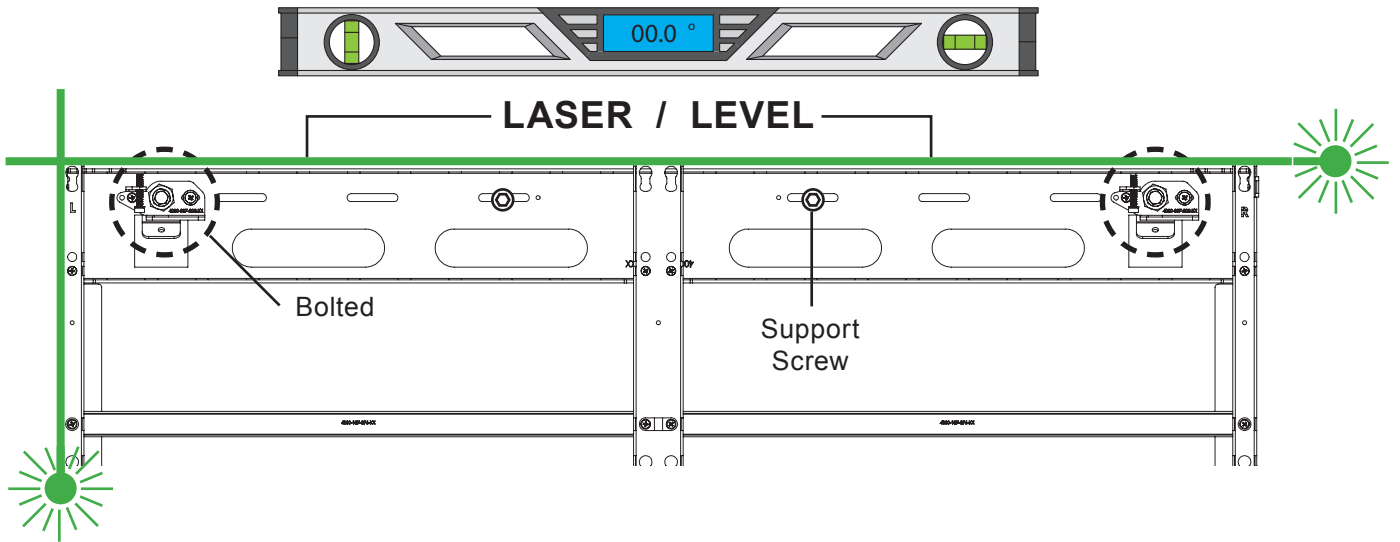
A solid or continuous plywood backing wall with min. of 3/4" thickness.



# LG LSA

3

1. Install a few support screws to hold the mount roughly near the desired location.
2. Place a level on top of the mount and readjust the support screws if necessary.
3. Secure the first mounting location by sliding a Wall Anchor Plate behind the mount and fasten using 5/16" x 3" Hex Lag and 5/16" Washer.
4. Maintain a 1/8" minimum gap from the anchor plate and rail bracket when anchoring.
5. Install the remaining upper mounting locations while keeping the mount leveled.

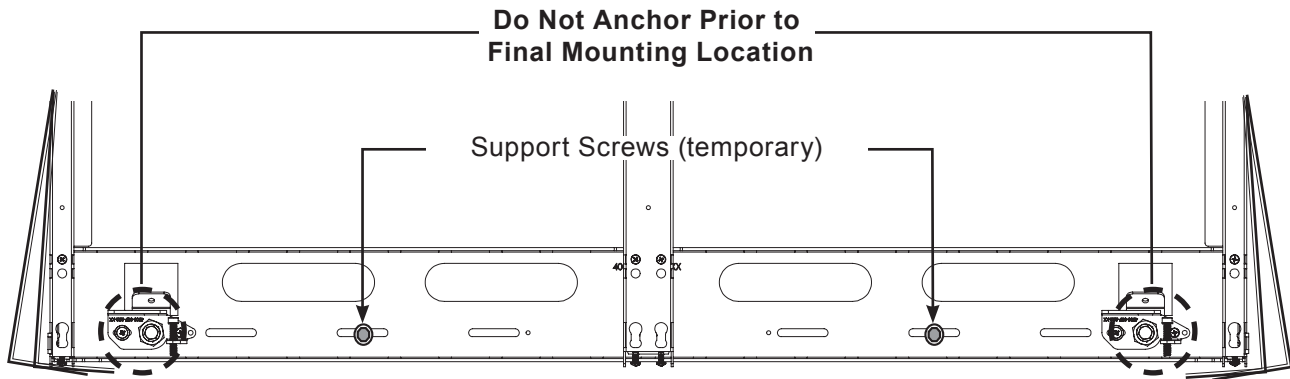


4

Install a few support screws (commercially available hardware) to **temporary** hold the lower portion of the mount. Do not bolt the frame at circled mounting point location. Adjust or nudge the frame left or right until the mount is squared.



**Installation is not finished within this step. The frame must be fully squared and leveled prior to final mounting location. See step 9-10 for additional detail.**

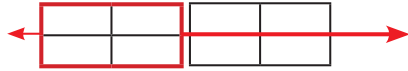


## Multiple Unit Configuration

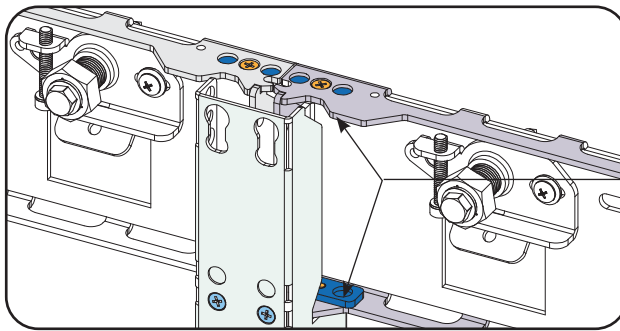
5

### Extend Horizontally

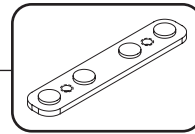
To extend the width of the unit, follow the steps below.



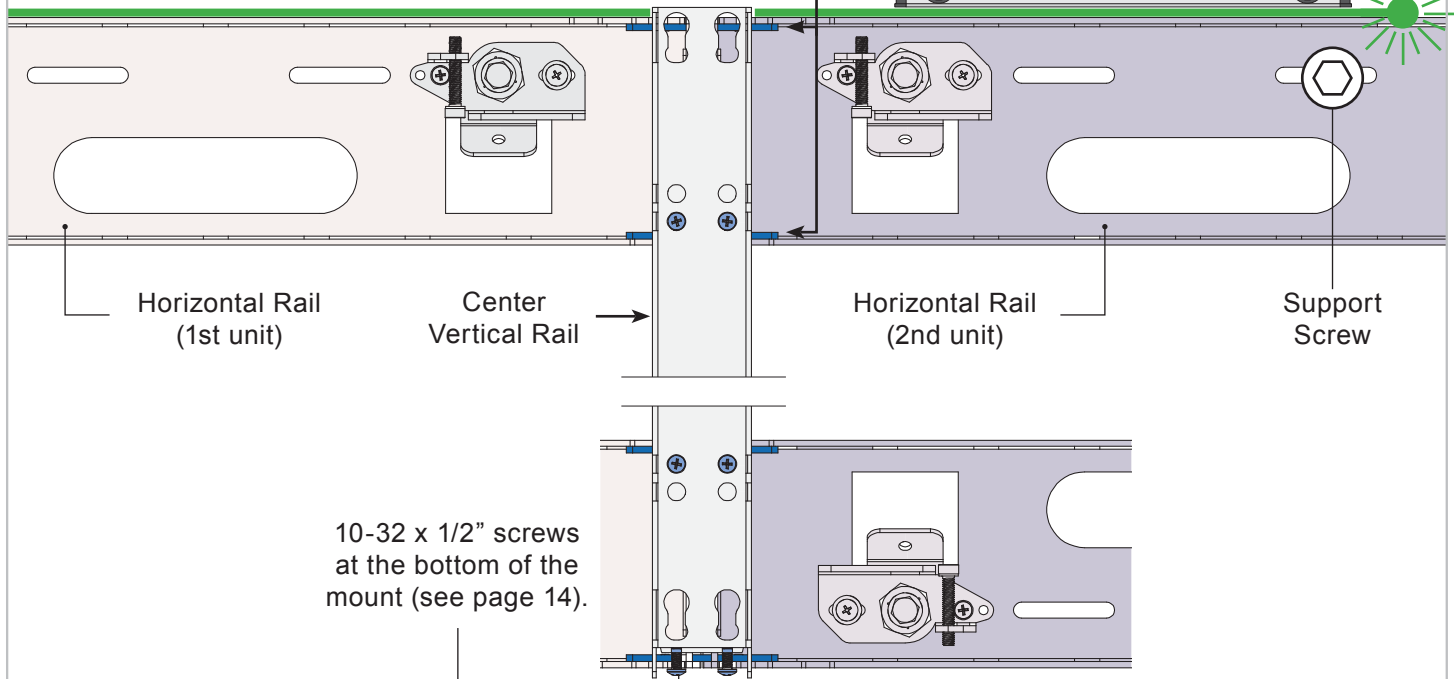
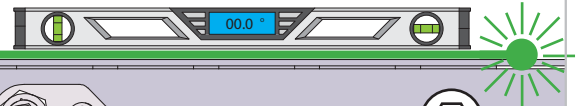
1. Hang and position the second Horizontal Rail side by side.
2. Place a support screw while maintaining a leveled horizontal rail to temporary hold in place.
3. Connect each Horizontal rail brackets together using (2) Attachment Plate and (4) 10-32" x 1/4" Flat Head Screw as shown below.
4. Center Vertical Rail Brackets are installed at the inner mounting location, while the Left and Right Vertical are always mounted at far most side of the mount.



Attachment Plate w/  
10-32" FH screws



LASER / LEVEL



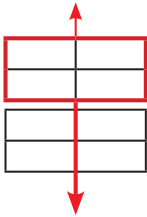


## Multiple Unit Configuration

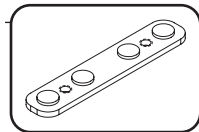
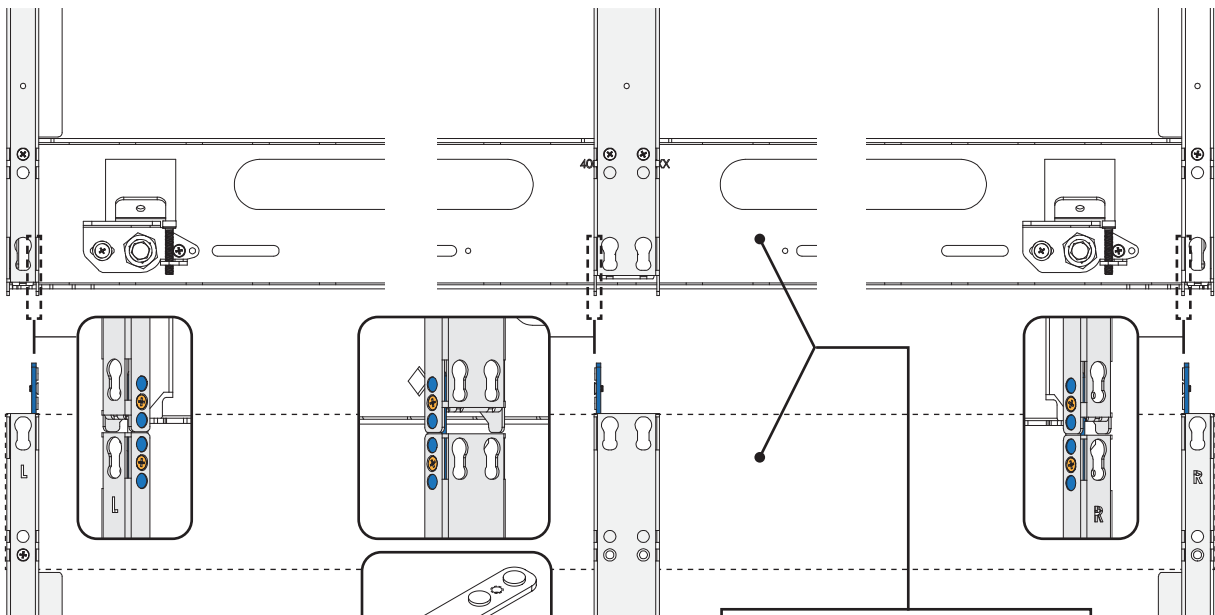
6

### Extend Vertically

To extend the height of the unit, follow the steps below.



1. Use multiple Attachment Plate and fasten using (2) 10-32" x 1/4" Flat Head Screw per rail bracket.
2. When attaching the another section vertically, only one row of horizontals are required, on either side.



Attachment  
bracket

**One** row of horizontal rail brackets between each vertical, either side, for standard (non-mosaic) application.



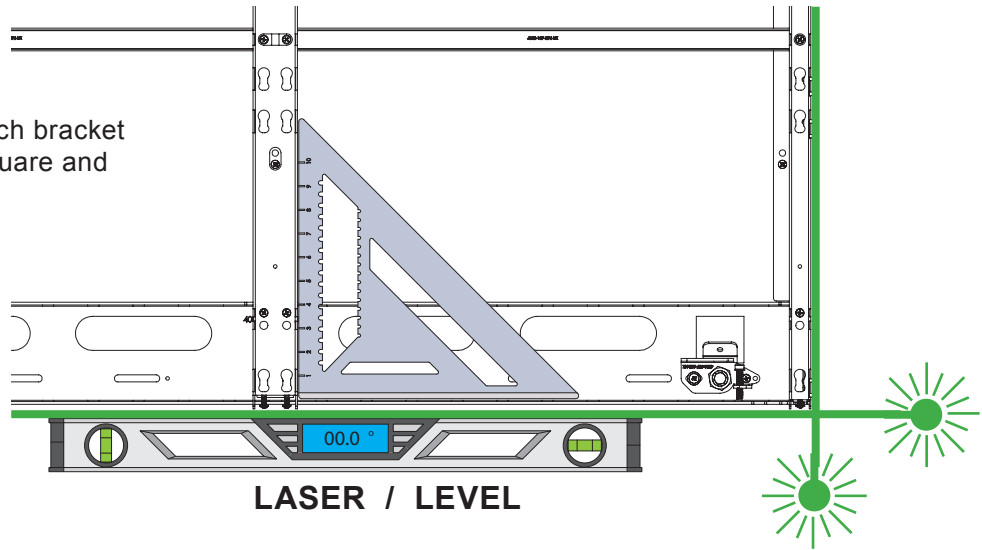
# LG LSA

## SQUARE AND LEVEL

7



Inspect each bracket using a Square and Level tool.

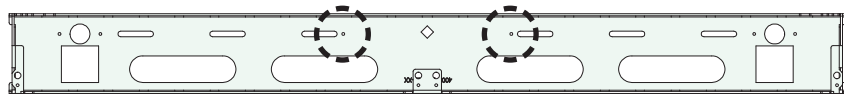


LASER / LEVEL

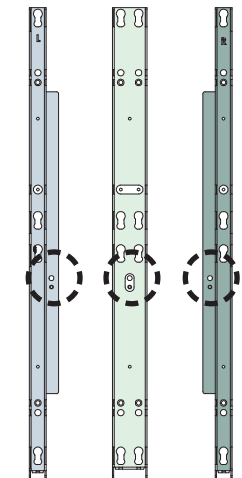
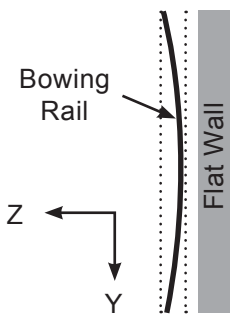
## FINETUNE THE RAIL FOR FLATNESS

8

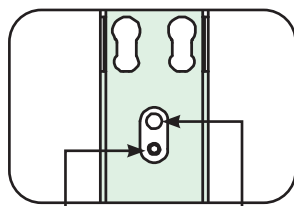
1. Install wherever possible.
2. Use drywall or wood screws to pull the brackets towards the wall.
3. Use supplied #10-32 x 1-1/2" Pan screw to push the brackets against the wall.



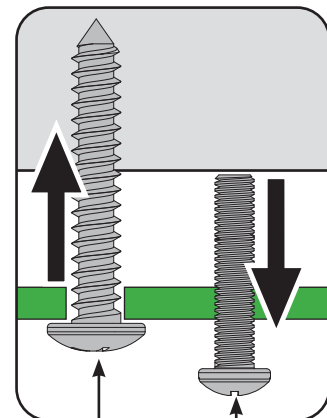
Finetuning holes for reference



Shown using 2 High Vertical Rail



#10-32 thread  
Ø0.28" thru hole



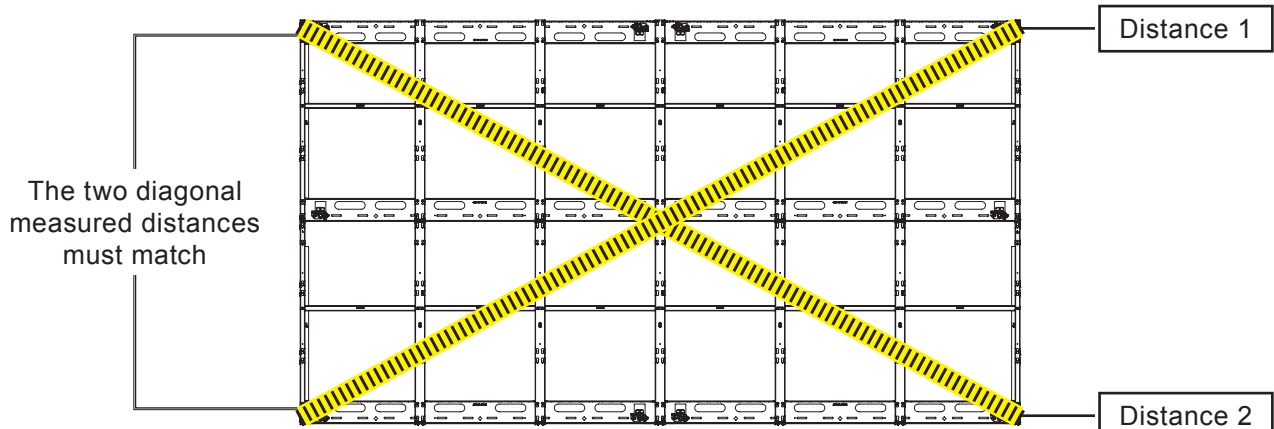
Towards the wall

Against the wall



9

## VERY IMPORTANT! VERIFYING THE DIAGONAL MEASUREMENTS FOR SQUARENESS

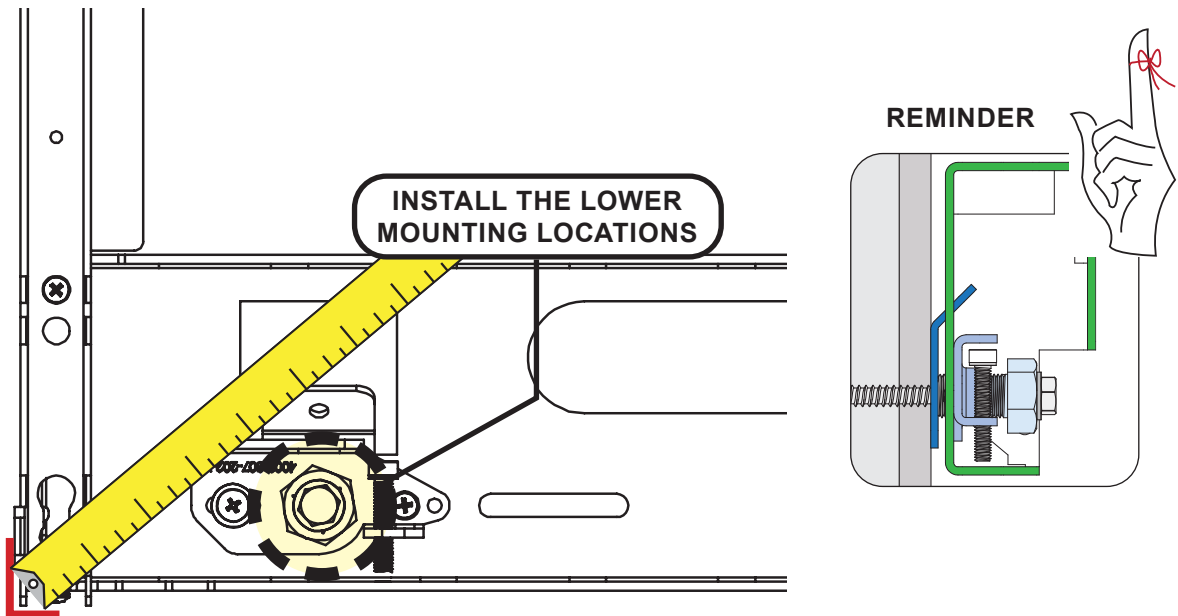


1. Measure the distance from corner to corner with a measuring tape.
2. Measure diagonally opposite and verify the diagonal measurements.
3. Proceed only if the two measurements are equivalent.

10

## BOLT THE LOWER MOUNTING POINT

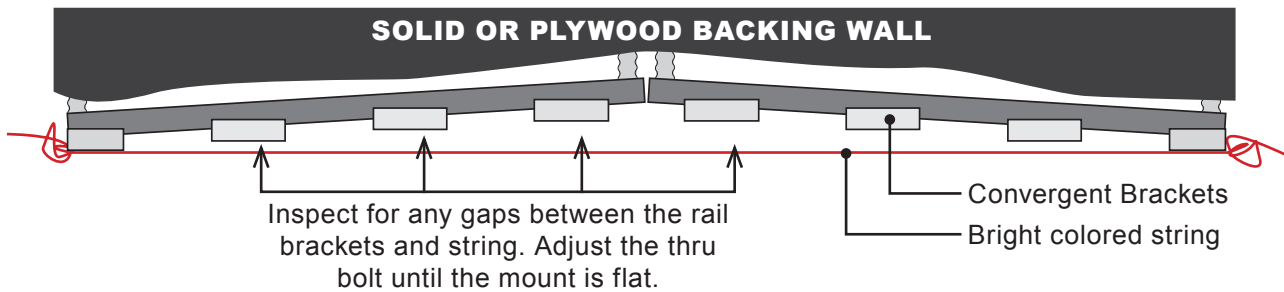
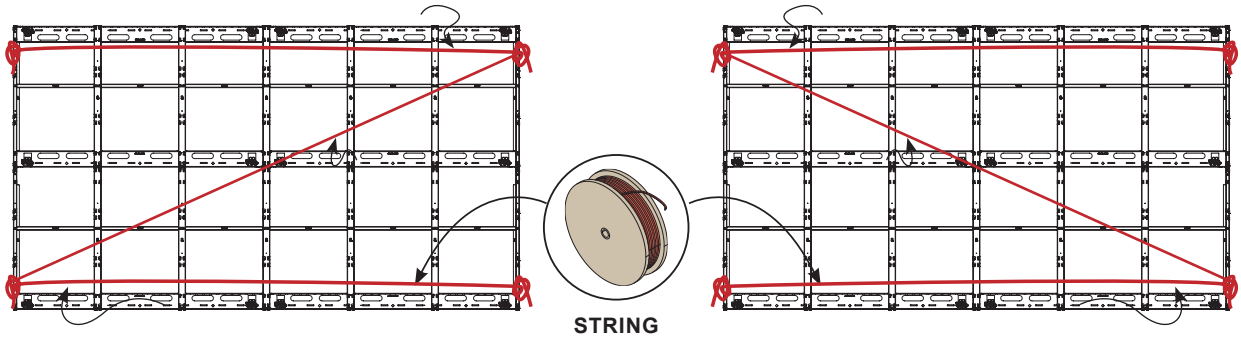
Secure the lower mounting location by sliding a Wall Anchor Plate behind the mount and bolt using 5/16" x 3" Hex Lag with 5/16" Washer.



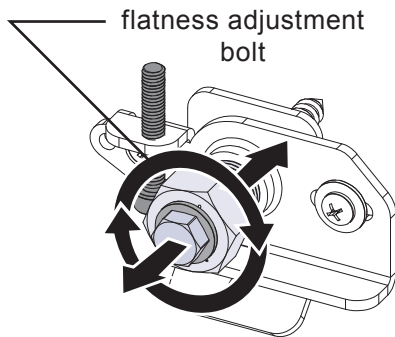
## VERIFYING THE MOUNT FOR FLATNESS

11

1. Tie a string from one end to the other end of the entire array.
2. Tie horizontally and crisscross, especially for large video wall array.
3. Inspect for any gaps between the brackets and the string.
4. Adjust any necessary mounting location.

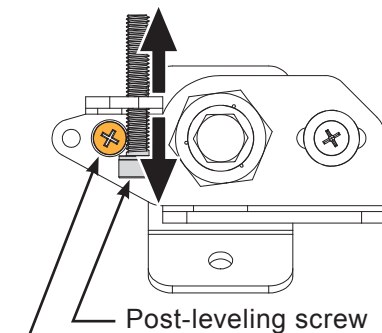


### FLATNESS ADJUSTMENT



±1/2" or 1" max adjustment range for **flatness**.

### POST-LEVEL ADJUSTMENT



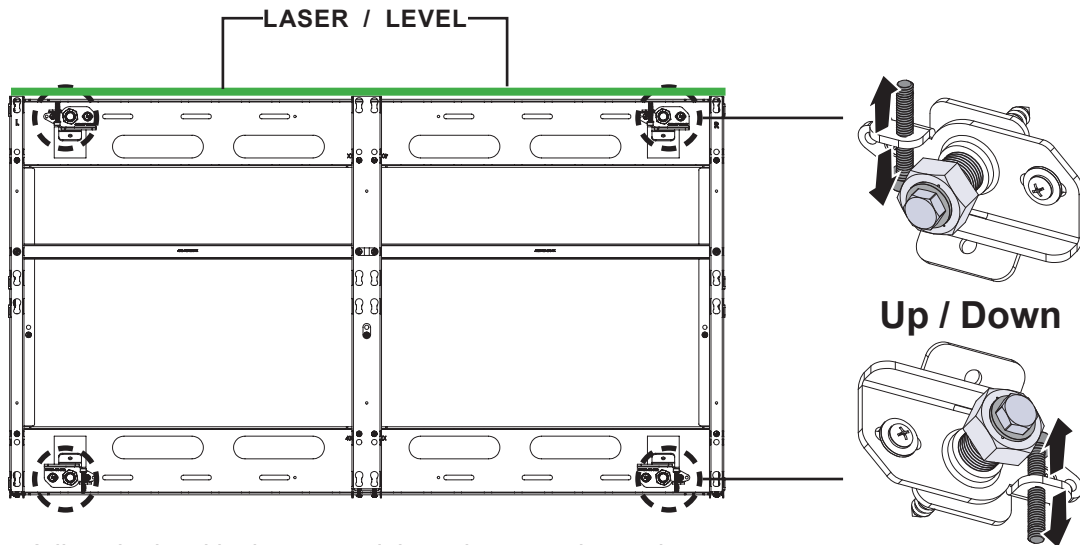
**Remove** the flat head screw before post-leveling can be adjusted.



# LG LSA

## POST-LEVEL ADJUSTMENT

12



Adjust the level by loosen or tighten the screw located on either the top **OR** bottom corner location of the mount.

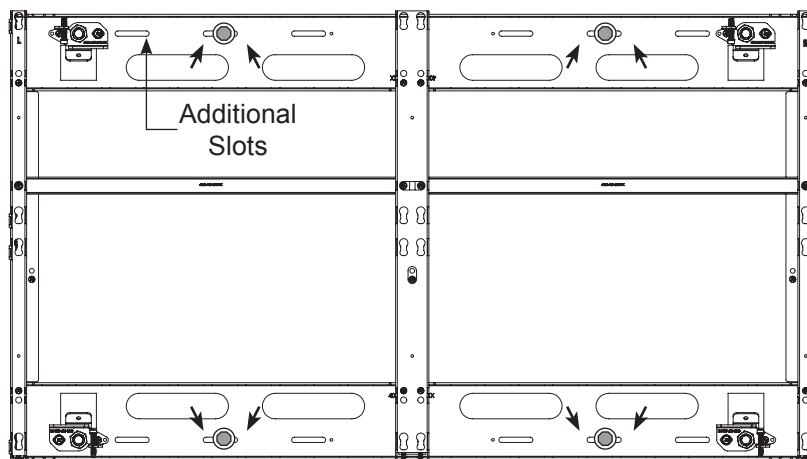


**Remove** flat head screw before adjusting

13

NOTES: If using the additional slots for mounting points, make sure that the floating frame is fully level to the wall vertically and horizontally. Must use shims (commercially available) on every slots being used to fill the void between the wall and the frame. Avoid over tightening the screws as this would make the floating frame uneven.

**FILL VOIDS WITH SHIMS**

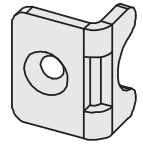


# LG LSA

14

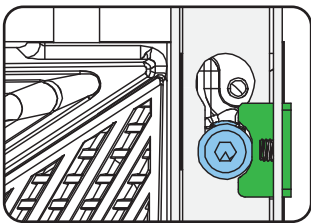
**LG LSA LED DISPLAY INSTALLATION MANUAL** must be read in conjunction with the recommended steps below. LED Cabinets to be handled by industry qualified professional. Improper installation may cause damage to the LEDs.

1. Mount the LED Cabinets via keyhole mounting starting from bottom row, left to right, then the remaining upper rows.
2. Proceed after all cabinets are fully seated.
3. Use a 10-32" x 1/2" Pan Head (located at the bottom of the verticals) to push the cabinets closer together and install the Locking Clip on the left and right side of the entire video wall array to lock the cabinets firmly in place.

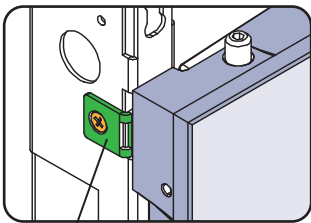


Locking Clip

Rear View



Side View

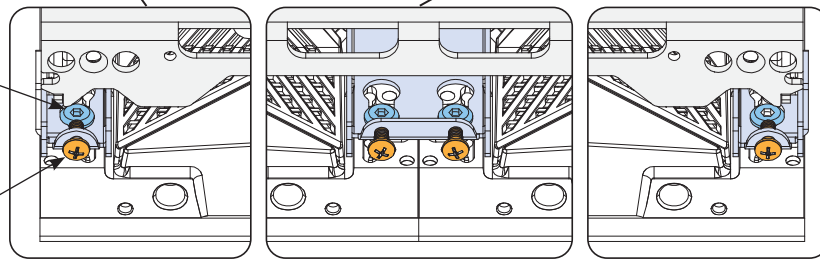


Use the Locking Clip w/ 10-32" x 1/4" FH screw to lock the cabinets firmly in place along the left and right side brackets.



Keyhole button (by others)

Use 10-32" x 1/2" Pan Head screws to push cabinets closer together.



Left

Middle

Right

*Single unit configuration, 3 Wide by 3 High Video Wall, shown for clarity.*

