



# UNIVERSAL PROJECTOR MOUNT W/ INTEGRATED COUPLER

Models: **MAG-PRO,**  
**MAG-PRO-W**

WEIGHT CAPACITY: 10 LB / 4.5 KG.

## FEATURES

- 1** Patented MagnaGuide™ reduces installation time and aids in projector alignment (U.S. Patent No. 7,758,001 B2)
- 2** Integrated coupler attaches to standard 1.5 in. NPT and features cable routing port
- 3** Radial Glide™ provides smooth roll, pitch, and yaw
  - Lock-It™ security hardware and leveling barrel provide strong protection
  - OSHPD approved and UL listed
  - Easy-to-install two-piece design
  - Available in Black (MAG-PRO) and White (MAG-PRO-W)

The MAG-PRO universal projector mount fits most projectors that weight up to 10 lb. /4.5 kg. The integrated coupler attaches to a standard 1.5 in. NPT and includes a cable routing port, and the patented MagnaGuide™ feature reduces installation time by using powerful magnets to easily glide the integrated pipe coupler to the mount. A safety lever locks the two pieces together easily, and Radial Glide™ allows for up to 6° of smooth tilt adjustment and a simple lock-down screw secures the adjustments.



Integrated coupler attaches to the standard 1.5" NPT and features cable routing



Patented MagnaGuide™ reduces installation time



Radial Glide™ allows up to 6° of smooth tilt

# UNIVERSAL PROJECTOR MOUNT W/ INTEGRATED COUPLER MAG-PRO, MAG-PRO-W



## SPECIFICATIONS

Color	Weight	Weight Capacity / Mount	Roll	Pitch	Yaw
<b>MAG-PRO</b> Black	4.06 lb.   1.8 kg	10 lb.   4.5 kg	+6.00°/-6.00°	+6.00°/-6.00°	360.00°
<b>MAG-PRO-W</b> White					
Height	Mounting Reach	Projector Pitch	Ceiling Pitch	Warranty	
7.28 in.   185 mm	13.79 in.   350 mm	6.00°	60.00°	Lifetime	

## PACKAGING

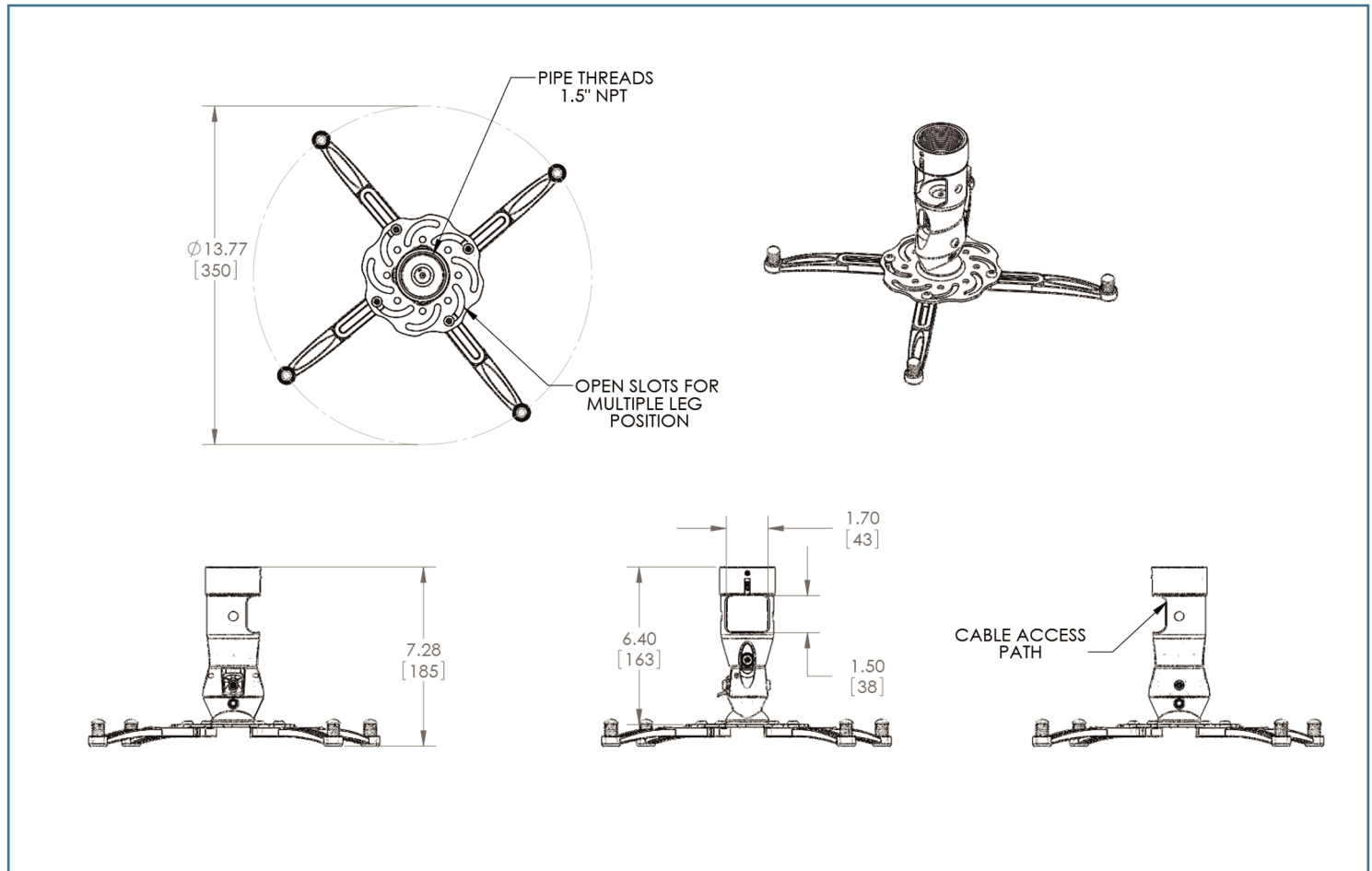
Length x Width x Height
18.5 x 12.6 x 17.36 in.   470 x 320 x 441 mm

Contents
MAG-PRO Mount (x1), Mounting Leg (x4), CLS (x1), Barrel Cap (x4), Star Washers (x2), Lock-It™ Security Hardware Pack (x1)

## ACCESSORIES

	<p>Plenum Rated False Ceiling Equipment Storage w/ Pipe Coupler <b>GB-AVSTOR5</b></p>		<p>False Ceiling Adapter w/ Quick-Lock Cable <b>PP-FCTA-QL</b></p>		<p>Adjustable Height Ceiling Adapter (13 - 21 in.) <b>AST-1321</b></p>
--	---	--	--	--	--

## ARCHITECTURAL DRAWING



Specifications subject to change without notice