

# PBC-UM SERIES

## Installation Guide

Installationsanleitung, Guía de Instalación, Guida de Installazione, Guide d'Installation, Installatie gids



**PBC-UMW (White)**



**PBC-UMS (Black)**



[premiermounts.com](http://premiermounts.com) | p. 800.368.9700 | e. [orders@premiermounts.com](mailto:orders@premiermounts.com)  
500 W Central Ave, Suite A, Brea, CA 92821 USA



## Weight Limit

Maximum Weight: **60 lbs.**

## Warning Statements



THE CEILING STRUCTURE MUST BE CAPABLE OF SUPPORTING 60 LBS. IF NOT, THE CEILING MUST BE REINFORCED. PROPER INSTALLATION PROCEDURE IS A QUALIFIED SERVICE TECHNICIAN. AS OUTLINED IN THE INSTALLATION INSTRUCTIONS, MUST BE ADHERED TO. FAILURE TO DO SO COULD RESULT IN SERIOUS PERSONAL INJURY, OR EVEN DEATH.



SAFETY MEASURES MUST BE PRACTICED AT ALL TIMES DURING THE INSTALLATION OF THIS PRODUCT. USE PROPER SAFETY GEAR AND TOOLS FOR THE INSTALLATION PROCEDURE TO PREVENT PERSONAL INJURY.



PRIOR TO THE INSTALLATION OF THIS PRODUCT, THE INSTALLATION INSTRUCTIONS SHOULD BE READ AND COMPLETELY UNDERSTOOD. THE INSTALLATION INSTRUCTIONS MUST BE READ TO PREVENT PERSONAL INJURY AND PROPERTY DAMAGE. KEEP THESE INSTALLATION INSTRUCTIONS IN AN EASILY ACCESSIBLE LOCATION FOR FUTURE REFERENCE.



Indicates that the power plug is to be disconnected from the power outlet



Safety Precautions must be taken at all times



Warning and Caution statements.



A secure structure must support the weight, or load, of the projector. When mounting to a ceiling that contains wooden studs, dead center of the wooden stud must be confirmed prior to installation.



Do not install on a structure that is prone to vibration, movement or chance of impact. Failure to do so could result in damage to the projector and/or damage to the mounting surface.



Do not install near heater, fireplace, direct sunlight, air conditioning or any other source of direct heat energy. Failure to do so may result in damage to the projector and could increase the risk of fire.



At least two qualified people should perform the installation procedure. Injury and/or damage can result from dropping or mishandling the projector.



Recommended mounting surfaces: wooden studs and solid-flat concrete. If the mount is to be installed on any surface other than wooden studs, use suitable hardware (which is commercially available).

## AVERTISSEMENT



LA STRUCTURE DE PLAFOND DOIT ÊTRE CAPABLE DE SOUTENIR 40 LIVRES. SINON, LE PLAFOND DOIT ÊTRE RENFORCÉ. LA PROCÉDURE D'INSTALLATION APPROPRIÉE PAR UN TECHNICIEN DE SERVICE QUALIFIÉ, COMME INDIQUÉ DANS LES INSTRUCTIONS D'INSTALLATION, DOIT ÊTRE RESPECTÉE. LE NON-RESPECT DE CETTE CONSIGNE PEUT ENTRAÎNER DES BLESSURES GRAVES OU MÊME LA MORT.



DES MESURES DE SÉCURITÉ DOIVENT ÊTRE PRATIQUÉES À TOUT MOMENT PENDANT L'INSTALLATION DE CE PRODUIT. UTILISER DES ÉQUIPEMENTS DE PROTECTION ET DES OUTILS APPROPRIÉS POUR QUE LA PROCÉDURE D'INSTALLATION ÉVITE LES BLESSURES CORPORELS.



AVANT L'INSTALLATION DE CE PRODUIT, LES INSTRUCTIONS D'INSTALLATION DEVRAIENT ÊTRE LUES ET COMPRIS COMPLÈTEMENT. LES INSTRUCTIONS D'INSTALLATION DOIVENT ÊTRE LUES POUR EMPÊCHER LE DOMMAGE CORPOREL ET LES DÉGATS MATÉRIELS. MAINTENIR CES INSTRUCTIONS D'INSTALLATION DANS UN ENDROIT FACILEMENT ACCESSIBLE POUR RÉFÉRENCE ULTÉRIEURE.



Indique que la prise de courant doit être débranchée de la sortie de puissance.



Les mesures de sécurité doivent être prises à tout moment.



Messages d'avertissement et de mise en garde.



Une structure sécurisée doit soutenir le poids, ou la charge, du projecteur. En montant à un plafond qui contient les goujons en bois, le centre mort du goujon en bois doit être confirmé avant l'installation.



Ne pas installer sur une structure qui est sujet aux vibrations, à la circulation ou la chance de l'impact. Tout manquement à ce règlement pourrait avoir comme conséquence des dommages au projecteur et/ou des dommages à la surface de montage.



Éviter d'installer dans la proximité des appareils de chauffage, cheminées, rayonnement solaire direct, conditionnement d'air ou d'autres sources d'énergie thermique directe. Le défaut de le faire pourrait endommager l'écran et pourrait augmenter le risque d'incendie.



Au moins deux personnes qualifiées devraient exécuter la procédure d'installation. Les dommages et/ou les dommages peuvent résulter de laisser tomber ou de traiter mal le projecteur.



Surfaces de montage recommandées : goujons en bois et béton plein-plat. Si le bâti doit être installé sur n'importe quelle surface autre que les goujons en bois, utiliser le matériel approprié (qui est disponible commercialement).

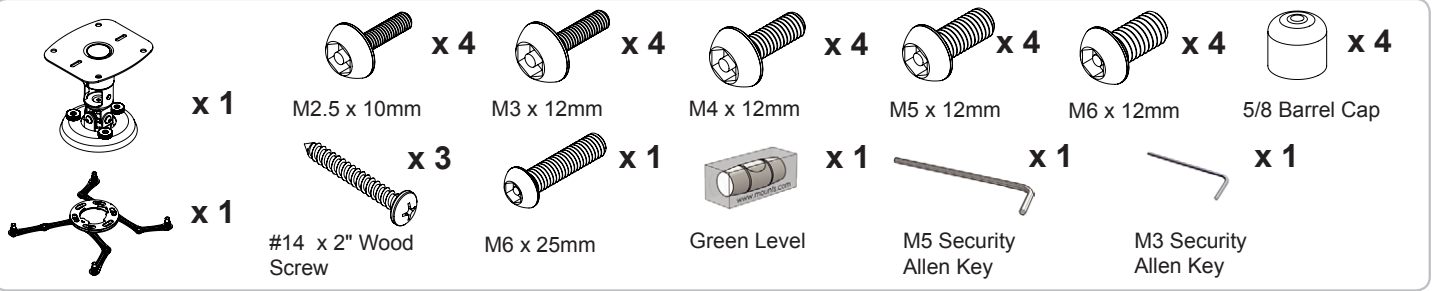


# PBC-UM SERIES

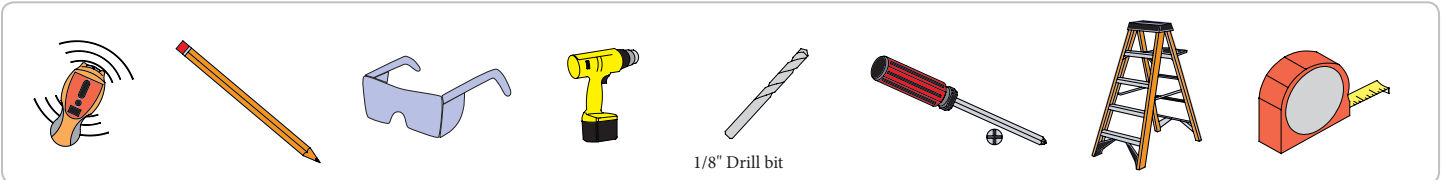
## Installation Guide

Installationsanleitung, Guía de Instalación, Guida de Installazione, Guide d'Installation, Installatie gids

### Included components



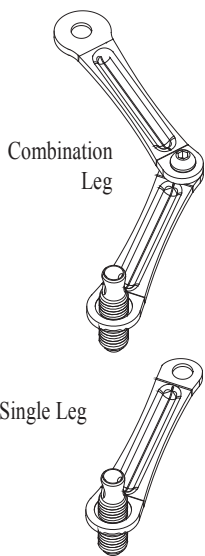
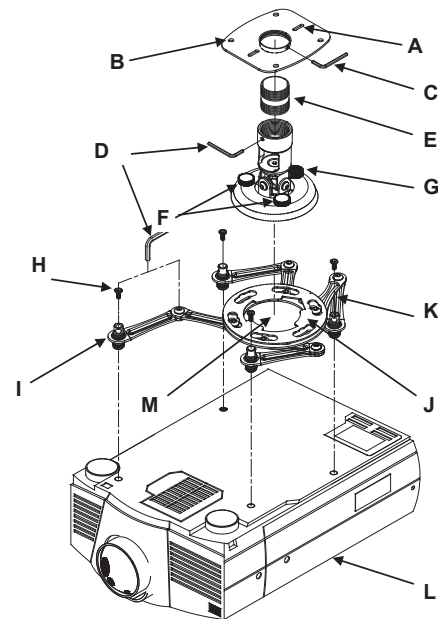
### Required for installation



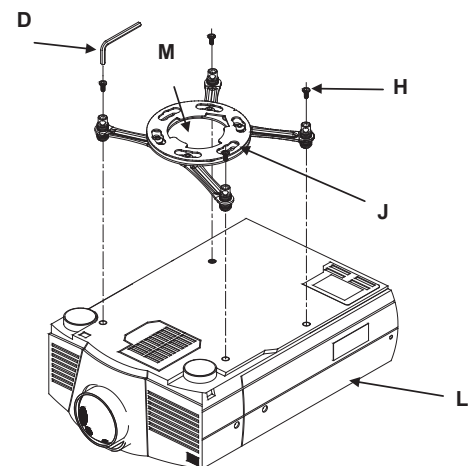
A	Single Wooden Stud Mounts
B	Solid Structure Mounting Points
C	M3 Security Allen Wrench
D	Security Allen Wrench
E	1.5" nipple (NTP)
F	Tension Knobs
G	Safety Knob
H	Security Screws
I	Leveling Screws
J	Universal Mounting bracket
K	Leg Assembly
L	Projector (not included)
M	Tri-Lock Opening

#### Option 1

**Note:** The four (two piece) leg assemblies can be used as single leg or any combination of single and dual legs together as show in Options 1 and 2. The number of legs may vary depending on the number of mounting points found on the bottom of the projector.



#### Option 2









# PBC-UM SERIES

## Installation Guide

Installationsanleitung, Guía de Instalación, Guida de Installazione, Guide d'Installation, Installatie gids

### Projector Preparation

-  Proper installation procedure by qualified personnel as outlined in the installation instructions must be adhered to. Failure to do so could result in serious personal injury and possible damage to the projector.
-  La procédure d'installation appropriée par un personnel qualifié comme indiqué dans les instructions d'installation doit être respectée. Ne pas le faire pourrait avoir comme conséquence des dommages corporels sérieux et peut éventuellement endommager le projecteur.
-  THE PROJECTOR IS FRAGILE. HANDLE WITH CARE AT ALL TIMES.
-  LE PROJECTEUR EST FRAGILE. MANIPULER AVEC SOIN À TOUT MOMENT.
-  Review the projector's manufacturer's operation manual and refer to the ceiling mounting section of the operator's manual. Here you will normally find important reference information regarding installation dimensions such as distance from the screen to the lens of the projector, top of the lens placement to the top screen etc. Adherence to those recommendations during your installation will enhance the quality of your final image on the screen.
-  Passer en revue le manuel d'exploitation de la fabrication de projecteurs et se référer à la section de support de plafond dans le manuel de l'opérateur. Ici, vous trouverez normalement des informations de référence importantes concernant des dimensions d'installation telles que la distance de l'écran à la lentille du projecteur, la hauteur du positionnement de la lentille de l'écran du haut, etc. Le respect de ces recommandations au cours de votre installation vous permettront d'améliorer la qualité de votre image finale sur l'écran.

Step 1. Carefully invert the projector and place it on a smooth, flat surface.

Step 2. Identify the number of mounting points and screw thread size. Most projectors have either three or four mounting points and are M4, M5, or M6 in thread size (Figure 1).

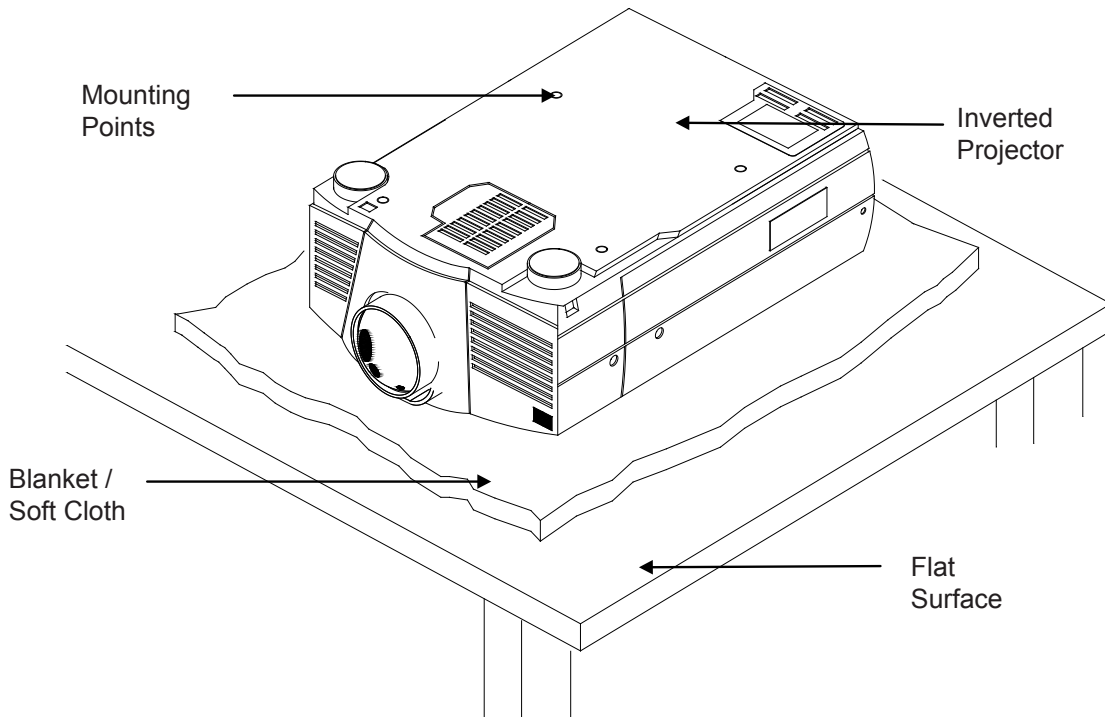


Figure 1. Projector Preparation



# PBC-UM SERIES

## Installation Guide

Installationsanleitung, Guía de Instalación, Guida de Installazione, Guide d'Installation, Installatie gids

- Step 3. Separate the upper assembly from the projector mounting bracket by slightly loosening the two tension knurl knobs to create free play between the bracket tri-lock assembly and the upper section tri-lock assembly points (Figure 2A and 2B).
- Step 4. Loosen the security screw knurl knob far enough to allow the two parts to be rotated 180° apart and separate (Figure 2C).

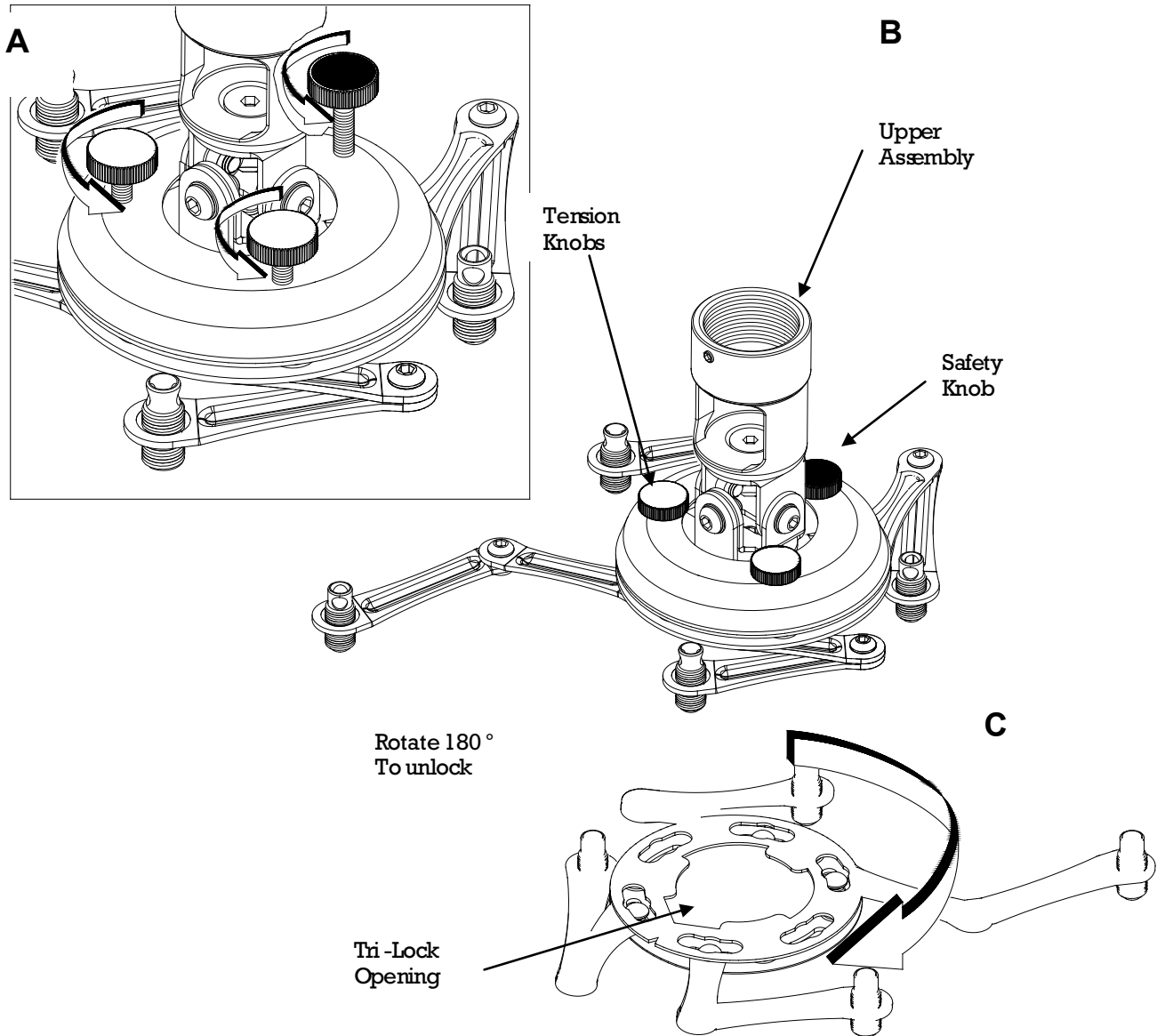


Figure 2. Mount Preparation



# PBC-UM SERIES

## Installation Guide

Installationsanleitung, Guía de Instalación, Guida de Installazione, Guide d'Installation, Installatie gids

### Bracket Installation



Only attach to the projector manufacturer's specified mounting points on the projector chassis with a minimum of three mounting legs. Please follow all safety instructions specified by the projector manufacturer as well as the safety instructions outlined in this manual.



Attachez uniquement aux points de montage spécifiques du fabricant de projecteur sur le châssis du projecteur avec un minimum de trois pattes de fixation. Veuillez suivre toutes les instructions de sécurité spécifiés par le fabricant de projecteur aussi bien que les instructions de sécurité décrites dans ce manuel.



The two-piece mounting legs are designed to allow for the positioning of each leg around projector air vents located on the base of the projector. Where applicable, each leg mount may be shortened by removing the locking screw. This will allow for a better bracket fit, overall.



Les pattes de support en deux pièces sont conçues pour tenir compte du positionnement de chaque patte autour des événements de projecteur localisés sur la base du projecteur. Là où applicable, chaque bâti de patte peut se raccourcir en enlevant la vis de verrouillage. Cela permettra un meilleur ajustement de support, dans l'ensemble.



For easier installation, the mounting legs should be first mounted to the projector. Each leg should then be adjusted so that they can mount to the Universal Mount (Figure 3).



Pour une installation plus facile, les pattes de support devraient être montés au projecteur. Chaque patte devrait alors être ajustée de sorte qu'elles puisse monter au Montage universel (le schéma 3).

Step 1. Locate the mounting points on the bottom of the projector and use the appropriate number of mounting legs.

Step 2. Select the mounting hardware that the projector requires and loosely install the universal mount on the projector.

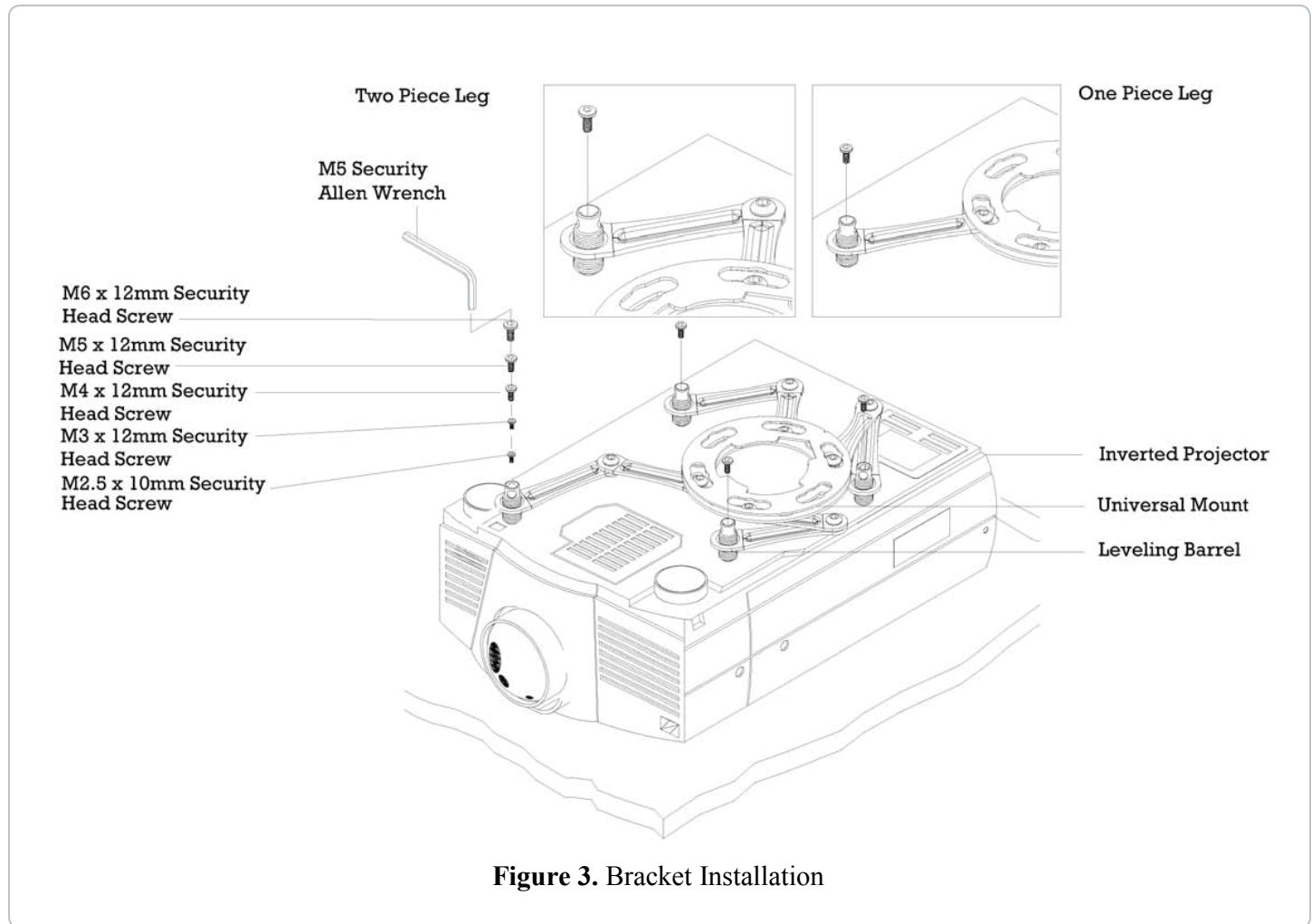


Figure 3. Bracket Installation



# PBC-UM SERIES

## Installation Guide

Installationsanleitung, Guía de Instalación, Guida de Installazione, Guide d'Installation, Installatie gids

### Leveling the Mounting Bracket

 Secure but do not over tighten the mounting hardware. Failure to do so will result in damaging the threads in the projector.

 Sécurisé, mais ne pas trop serrer le matériel de fixation. Dans le cas contraire, vous risquez d'endommager les filetages dans le projecteur.

Step 1. Rotate the leveling barrels to level the mounting bracket.

Step 2. Position the mounting bracket so that it avoids most, if not all, ventilation points (including lamp and filter access doors).

Step 3. When the desired position is achieved, tighten the mounting screws to the projector and then tighten the security hex head screw with the M5 Security Allen Wrench (Figure 4).

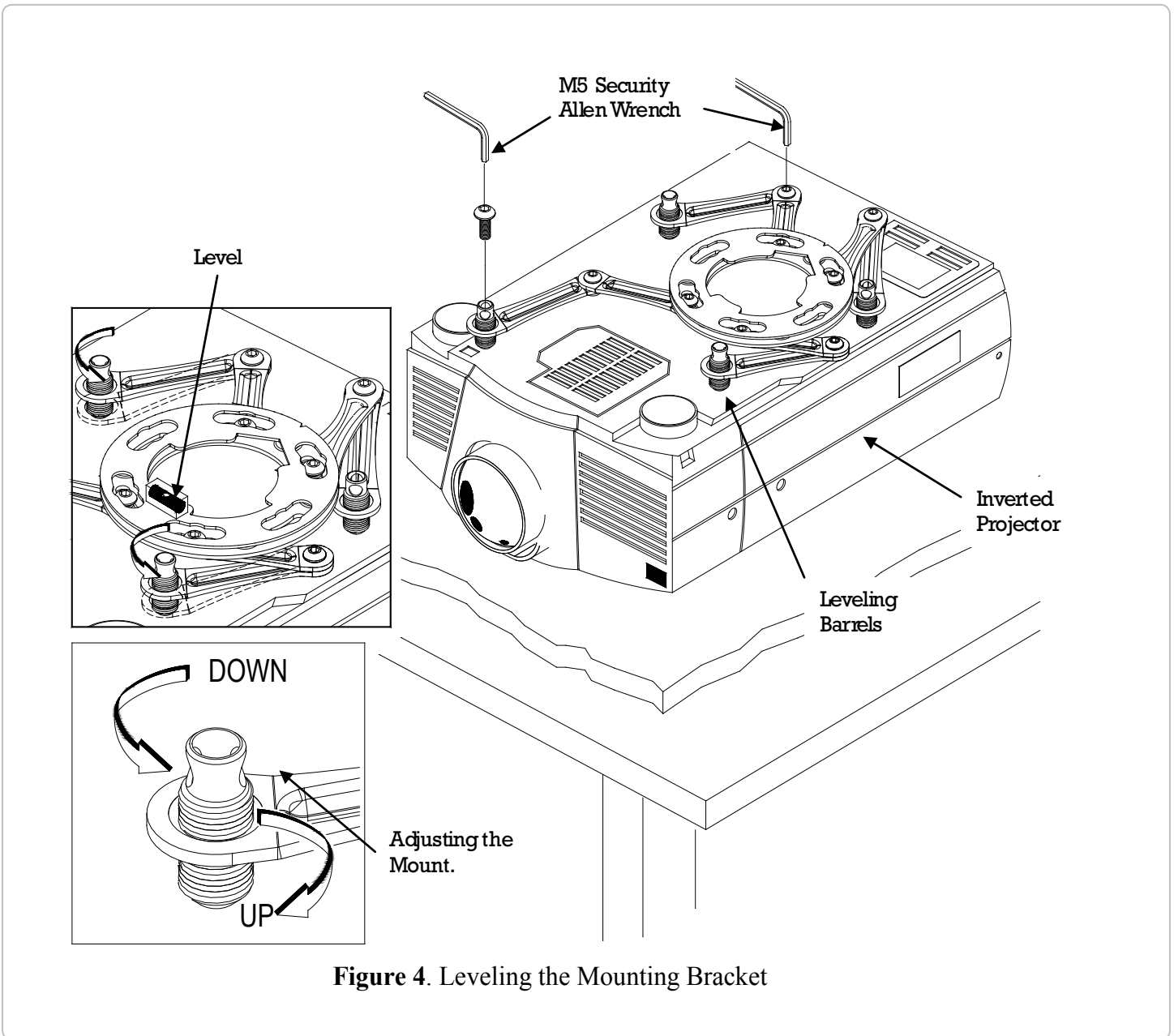


Figure 4. Leveling the Mounting Bracket

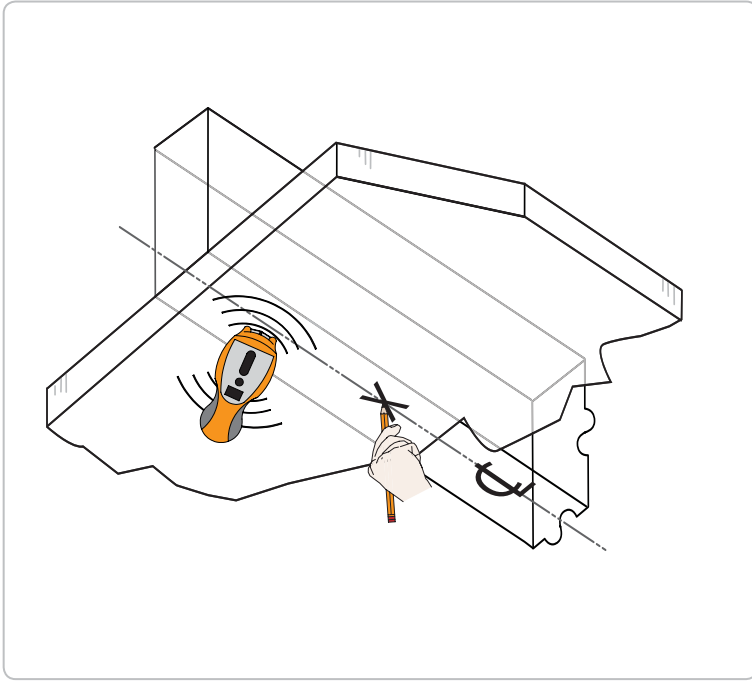


# PBC-UM SERIES

## Installation Guide

Installationsanleitung, Guía de Instalación, Guida de Installazione, Guide d'Installation, Installatie gids

### Securing the Upper Assembly Ceiling Plate



#### Step 1

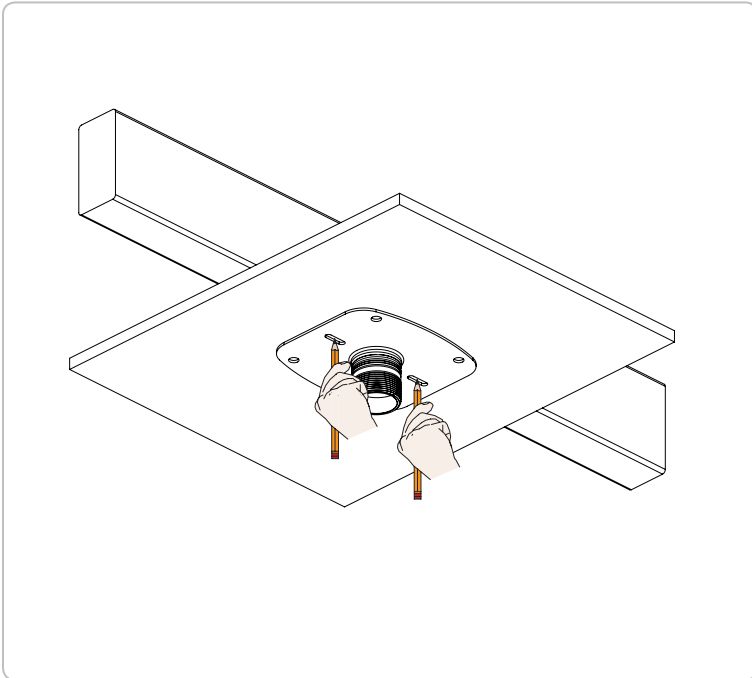


Minimum of 2 X 4 wood stud to be used



Minimum de 2 X 4 bois goujon pour être utilisé

- ■ Use a stud finder to locate a ceiling stud closest to your desired installation location.
- ■ Identify the center of the ceiling stud.
- ■ Use a pencil to mark the location of the ceiling stud center.



#### Step 2

- ■ Use a pencil and mark 2 mounting hole locations through the slots.

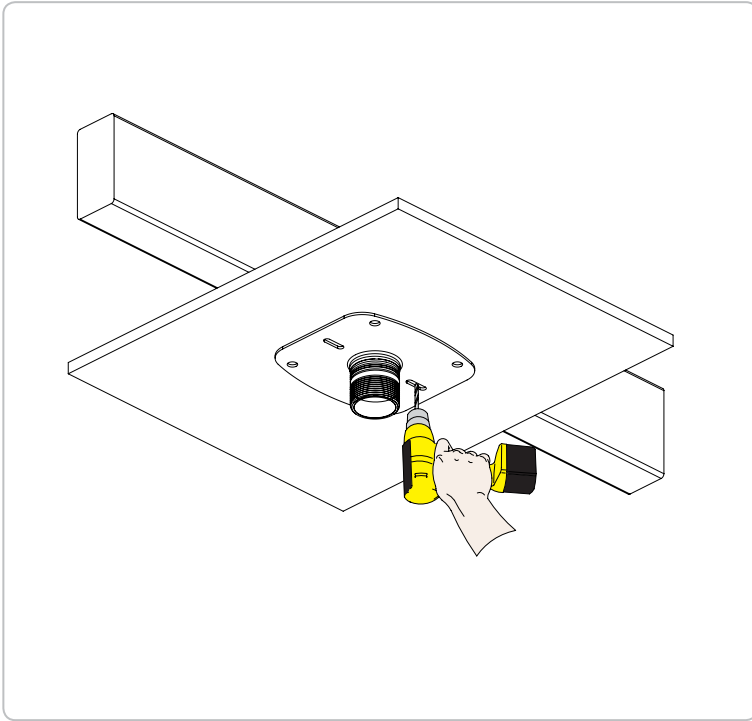




# PBC-UM SERIES

## Installation Guide

Installationsanleitung, Guía de Instalación, Guida de Installazione, Guide d'Installation, Installatie gids



### Step 3

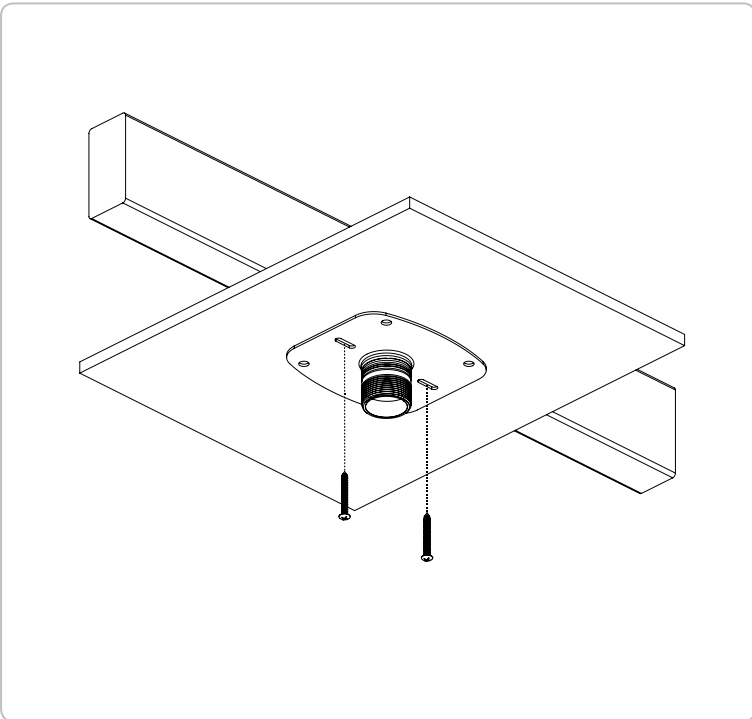
Drill a "pilot hole" in the center using a 1/8" drill bit and power drill.



Only use a 1/8" drill bit when drilling the pilot holes.



N'utiliser qu'un foret de 1/8" lors du forage de guidage.



### Step 4

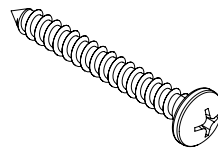
■ Tighten each screw until the ceiling plate is secure against the ceiling.



Do not overtighten the mounting screws.



Éviter de trop serrer les vis de montage.



x 2

#14 x 2" Wood Screw



# PBC-UM SERIES

## Installation Guide

Installationsanleitung, Guía de Instalación, Guida de Installazione, Guide d'Installation, Installatie gids

### Securing the Projector to the Upper Assembly

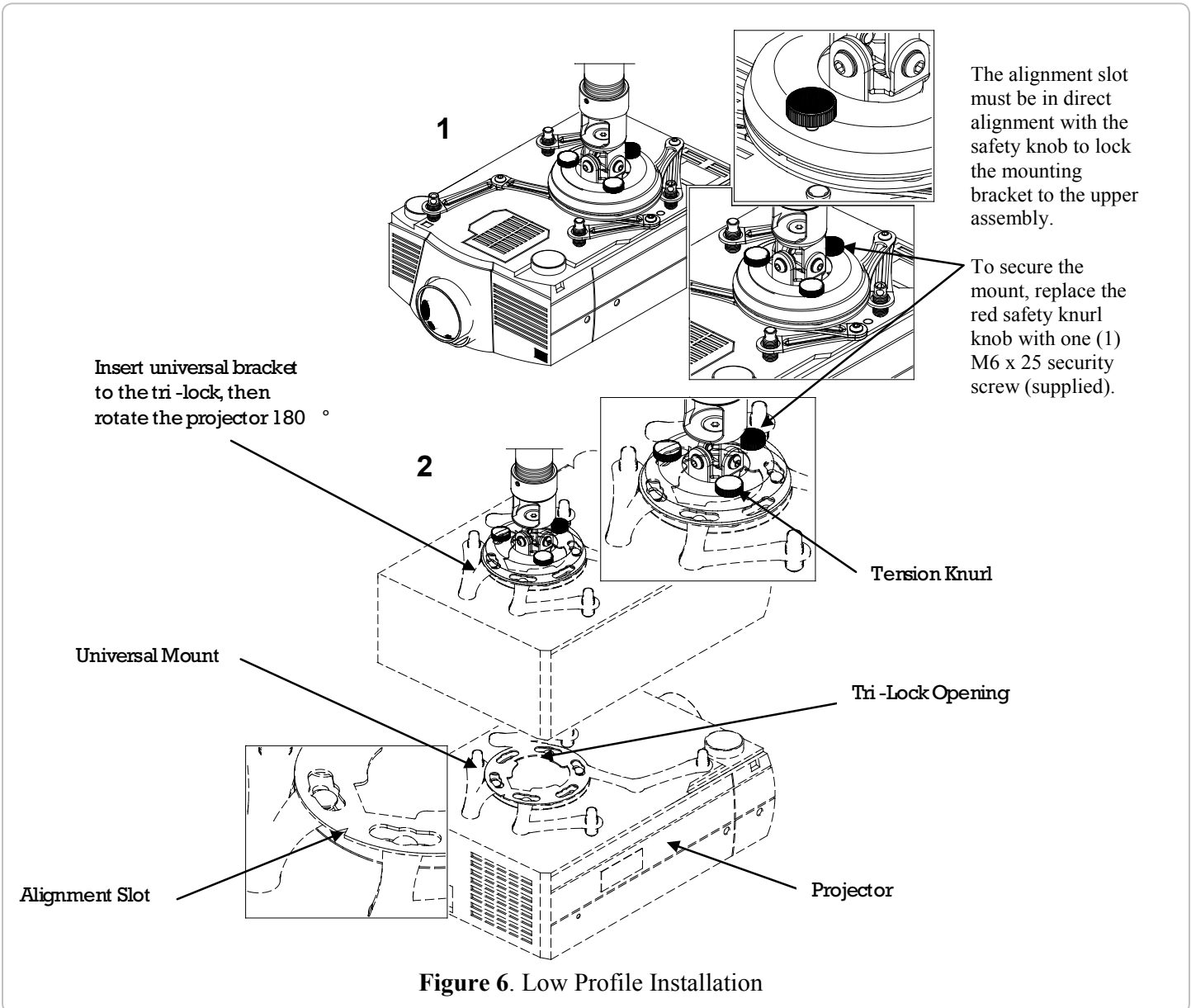
- Step 1. Make sure the three-knurl knobs are loosened to fully expose to the "tri-lock" mounting plate in the base of the upper assembly.
- Step 2. Carefully lift the projector and insert the mounting bracket mating special tri-lock cutout into the mating portion of the upper assembly.
- Step 3. Once inserted, rotate the projector and mounting bracket 180° and secure the rear safety knob first to prevent further rotation of the bracket in the upper assembly
- Step 4. Tighten the remaining two tension knurl knobs until the mount becomes rigid. The safety knob should line up with the alignment slot on the mounting bracket



Follow the numbering sequence prior to securing the projector to the upper assembly.



Suivez la séquence de numérotation avant de le fixer le projecteur à l'assemblage supérieur



# PBC-UM SERIES

## Installation Guide

Installationsanleitung, Guía de Instalación, Guida de Installazione, Guide d'Installation, Installatie gids

### Final Adjustments

Step 1. With the projector secured in the mount and power on and signal supplied to the projector you can now proceed with the final height, tilt, roll and yaw to optimize the projected image.

#### A

The height can be adjusted by rotating the PBC clockwise (higher) / counterclockwise (lower). Once the height is achieved, tighten the locking set screw using the supplied Security Allen Wrench.

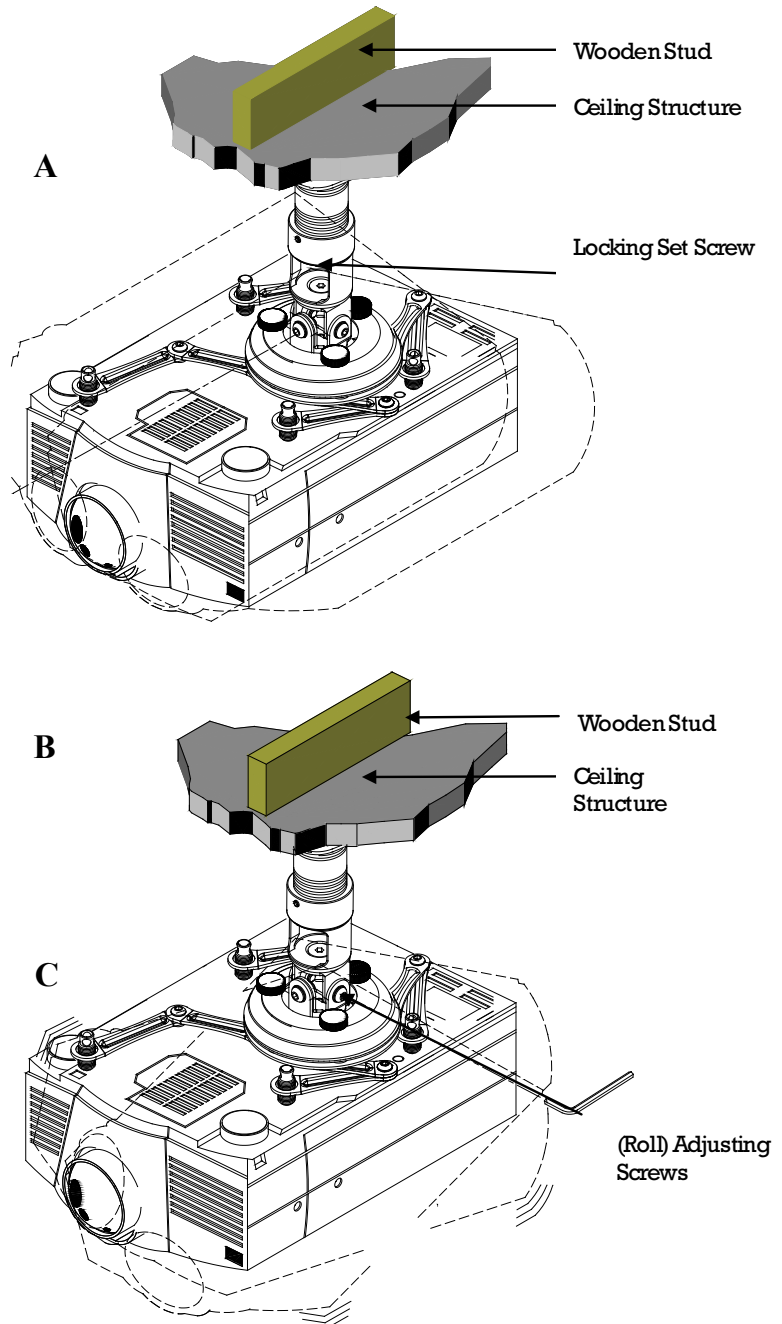
**NOTE: A minimum of 4 full rotation.**

#### B

To adjust the tilt angle of the projector, slightly loosen the side M8 screws and tilt to the desired angle and firmly tighten the two M8 adjustments screws.

#### C

If roll adjustment is needed to square the images on the screen, slightly loosen the front and rear M8 screws and adjust to the desired angle. The firmly tighten the two M8 adjustment screws.



Re-check the hardware for tightness and security

Figure 7. Final Adjustments



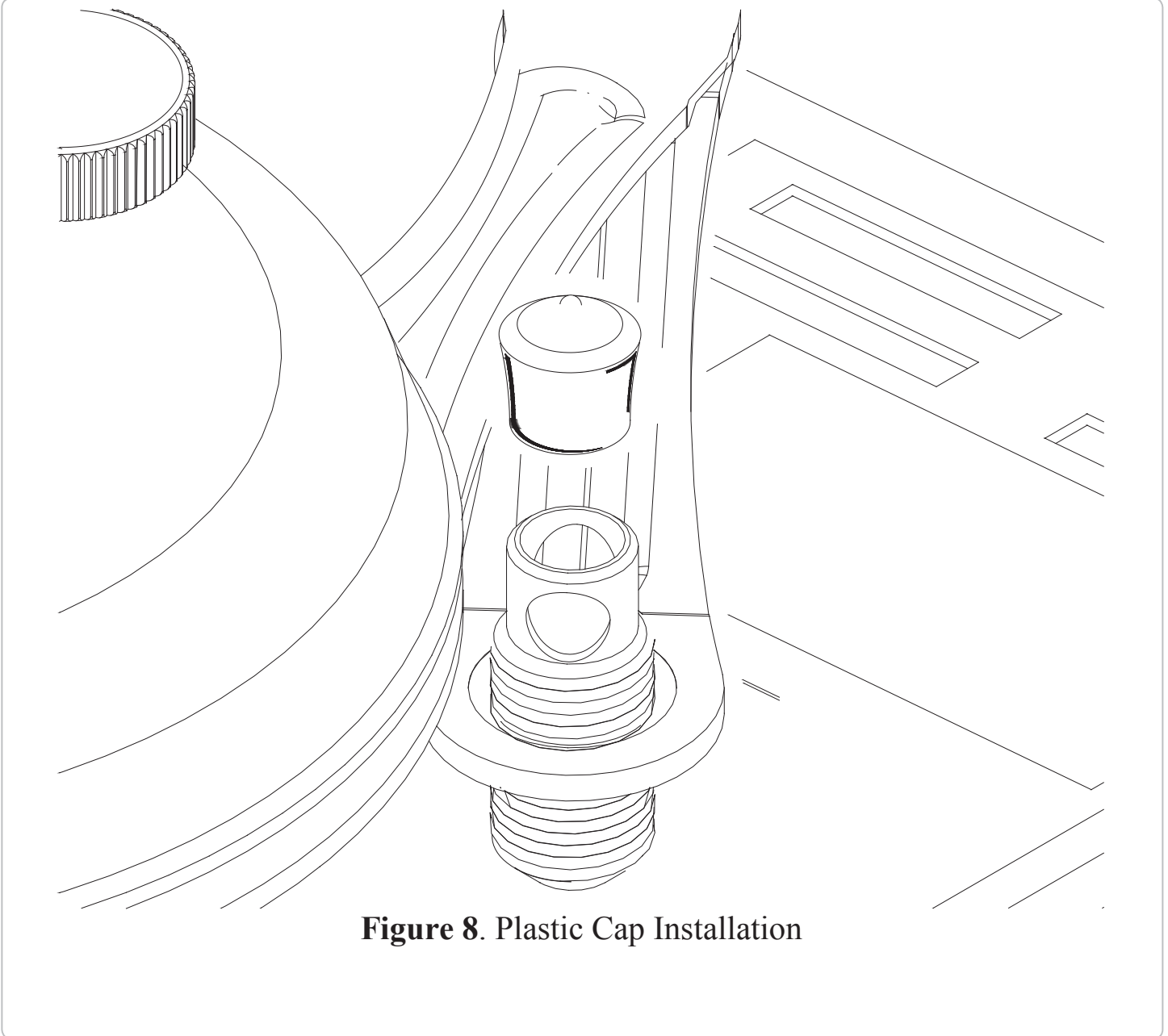
# PBC-UM SERIES

## Installation Guide

Installationsanleitung, Guía de Instalacion, Guida de Installazione, Guide d'Installation, Installatie gids

### Plastic Cap Installation

Step 1. Once all the final adjustments have been finished, install the plastic caps on the leveling barrels (Figure 8).



**Figure 8.** Plastic Cap Installation



# PBC-UM SERIES

## Installation Guide

Installationsanleitung, Guía de Instalación, Guida de Installazione, Guide d'Installation, Installatie gids

### Technical Specifications

All measurements are in inches (mm).

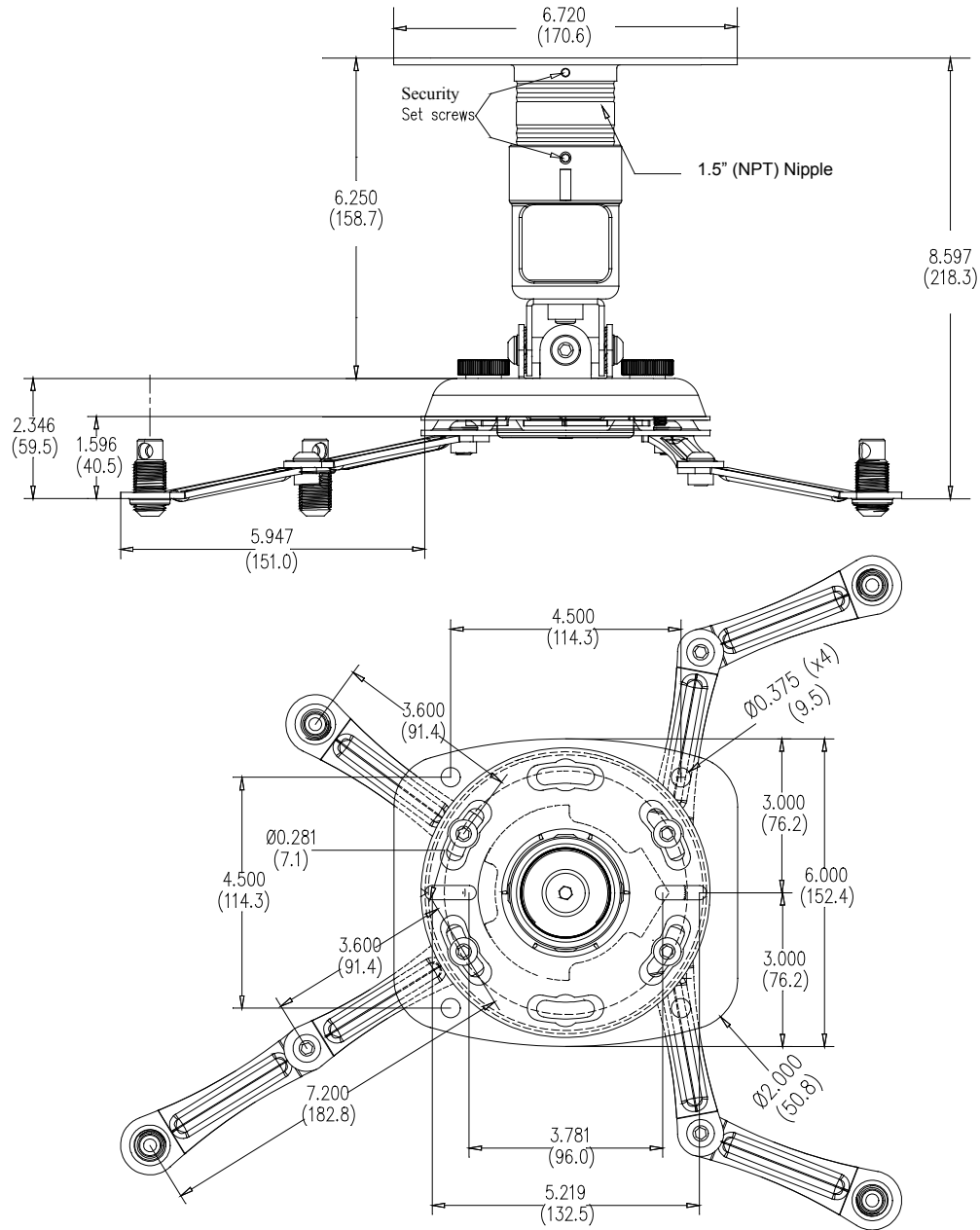


Figure 9. Technical Dimensions



## PREMIER MOUNTS LIMITED LIFETIME WARRANTY

### What and Who is Covered by this Limited Lifetime Warranty

Premier Mounts warrants all mounting products to be free from defects in material and workmanship for the lifetime of the original installation of the product.

### What Premier Mounts Will Do

At the sole option of Premier Mounts, Premier Mounts will repair or replace any product or product part that is defective. If Premier Mounts chooses to replace a defective product or part, a replacement product or part will be shipped to you at no charge, but you must pay any related labor costs.

### What is Not Covered: Limitations

Premier Mounts disclaims any liability for damage to mounts, adapters, displays, projectors, other property, or personal injury resulting, in whole or in part, from improper installation, modification, use or misuse of its products.

NOTWITHSTANDING ANYTHING TO THE CONTRARY IN THIS WARRANTY, THIS WARRANTY IS LIMITED TO FIVE YEARS FROM THE DATE OF PURCHASE IN THE EVENT THAT THE WARRANTED PRODUCT IS COMMERCIALY RENTED OUT.

Electrical products and components, such as amplifiers, speakers, motors, switches remote controls and related electrical items, are backed by a 3-year warranty.

Premier Mounts disclaims all other warranties, express or implied, including warranties of merchantability and fitness for a particular purpose. Premier Mounts is not responsible for incidental or consequential damages, including but not limited to, inability to use its products or labor costs for removing and replacing defective products or parts. Some states do not allow the exclusion or limitation of incidental or consequential damages, so the above limitation or exclusion may not apply to you.

### What Customers Must Do for Warranty Service

If you discover a problem that you think may be covered by the warranty, you must report it in writing to the address below within thirty (30) days. Proof of purchase (an original sales receipt) from the original consumer purchaser must accompany all warranty claims. Warranty claims must also include a description of the problem, the purchaser's name, address, and telephone number. General inquiries can be addressed to Premier Mounts Customer Service at 1-800-368-9700. Warranty claims will not be accepted over the phone or by fax.

### PREMIER MOUNTS

#### ATTN: Warranty Claims

500 W Central Ave, Suite A  
Brea, CA 92821

### How State Law Applies

This warranty gives you specific legal rights, and you may also have other rights which vary from state to state.

Premier Mounts intends to make this manual accurate and complete. However, Premier Mounts makes no claim that the information contained herein covers all details, conditions or variations, nor does it provide for every possible contingency in connection with the installation or use of this product. The information contained in this document is subject to change without notice or obligation of any kind. Premier Mounts makes no representation of warranty, expressed or implied, regarding the information contained herein. Premier Mounts assumes no responsibility for accuracy, completeness or sufficiency of the information contained in this document.

### ©PREMIER MOUNTS

500 W Central Ave, Suite A  
Brea, CA 92821

### USA & CANADA

Phone: 800-368-9700

Fax: 800-832-4888

e. [orders@premiermounts.com](mailto:orders@premiermounts.com)

