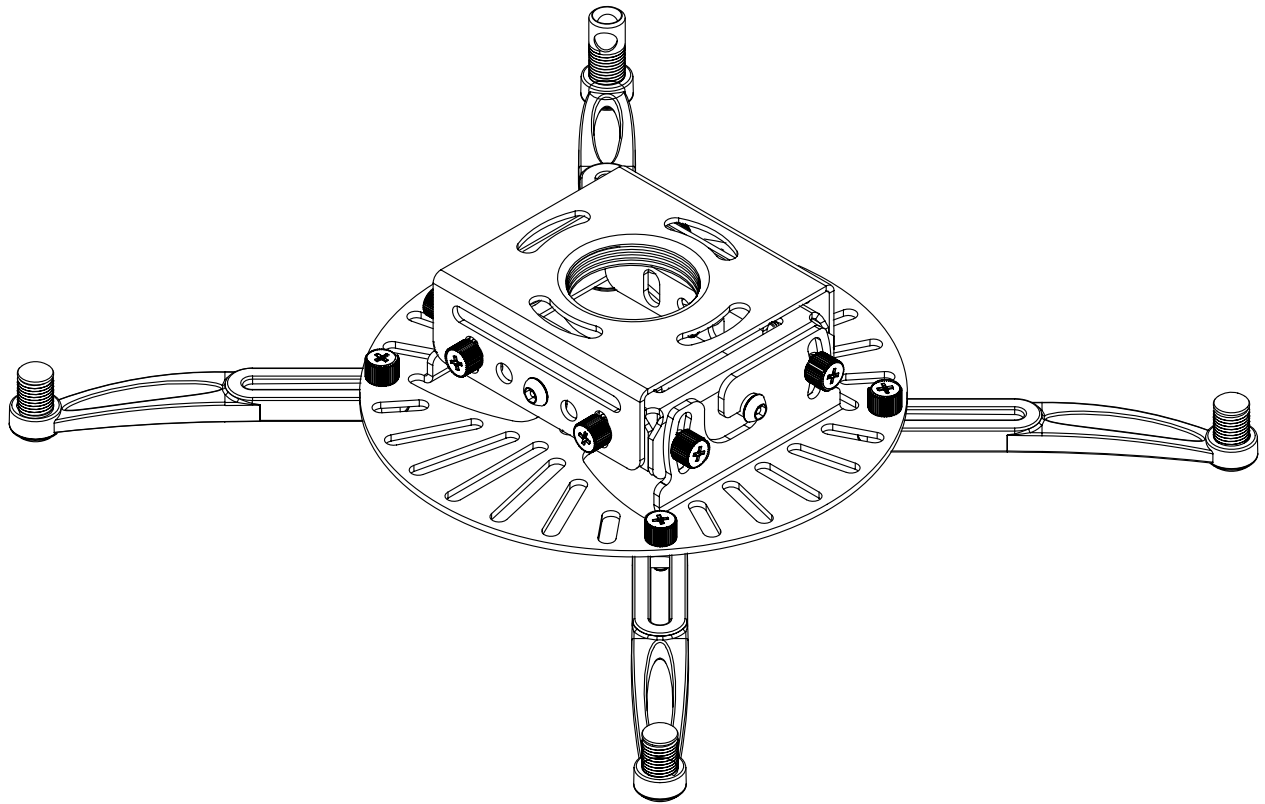


# PDS-PLUS / PDS-PLUS W Installation Guide



[premiermounts.com](http://premiermounts.com) | p. 800.368.9700 | e. [orders@premiermounts.com](mailto:orders@premiermounts.com)  
500 W Central Ave, Suite A, Brea, CA 92821 USA



## Weight Limit

Maximum Projector Weight: **75 lbs.**

THE CEILING STRUCTURE MUST BE CAPABLE OF SUPPORTING AT LEAST FOUR TIMES THE WEIGHT OF THE PROJECTOR. IF NOT, THE CEILING STRUCTURE MUST BE REINFORCED.

## Warning Statements



PRIOR TO THE INSTALLATION OF THIS PRODUCT, THE INSTALLATION INSTRUCTIONS MUST BE READ AND COMPLETELY UNDERSTOOD. KEEP THESE INSTALLATION INSTRUCTIONS IN AN EASILY ACCESSIBLE LOCATION FOR FUTURE REFERENCE.



PROPER INSTALLATION PROCEDURE BY A QUALIFIED SERVICE TECHNICIAN MUST BE FOLLOWED, AS OUTLINED IN THESE INSTALLATION INSTRUCTIONS. FAILURE TO DO SO COULD RESULT IN PROPERTY DAMAGE, SERIOUS PERSONAL INJURY, OR EVEN DEATH.



SAFETY MEASURES MUST BE PRACTICED AT ALL TIMES DURING THE ASSEMBLY OF THIS PRODUCT. USE PROPER SAFETY EQUIPMENT AND TOOLS FOR THE ASSEMBLY PROCEDURE TO PREVENT PERSONAL INJURY.



PREMIER MOUNTS DOES NOT WARRANT AGAINST DAMAGE CAUSED BY THE USE OF ANY PREMIER MOUNTS PRODUCT FOR PURPOSES OTHER THAN THOSE FOR WHICH IT WAS DESIGNED OR DAMAGE CAUSED BY UNAUTHORIZED ATTACHMENTS OR MODIFICATIONS, AND IS NOT RESPONSIBLE FOR ANY DAMAGES, CLAIMS, DEMANDS, SUITS, ACTIONS OR CAUSES OF ACTION OF WHATEVER KIND RESULTING FROM, ARISING OUT OF OR IN ANY MANNER RELATING TO ANY SUCH USE, ATTACHMENTS OR MODIFICATIONS.



At least two qualified people should perform the assembly procedure. Personal injury and/or property damage can result from dropping or mishandling the projector.



If mounting to wall studs or ceiling studs, make sure that the mounting screws are anchored into the center of the wall studs or ceiling studs. Use of an edge-to-edge stud finder is recommended.



Be aware of the mounting environment. If drilling and/or cutting into the mounting surface, always make sure that there are no electrical wires in wall. Cutting or drilling into an electrical line may cause serious personal injury.



Make sure there are no water or natural gas lines inside the wall where the mount is to be located. Cutting or drilling into a water or gas line may cause severe property damage or personal injury.



This product is intended for indoor use only. Use of this product outdoors could lead to product failure and/or serious personal injury.



Do not install near sources of high heat. Do not install on a structure that is prone to vibration, movement or chance of impact.

## AVERTISSEMENT



AVANT L'INSTALLATION DE CE PRODUIT, LES CONSIGNES D'INSTALLATION DOIVENT ÊTRE LUES ET PLEINEMENT COMPRISES. CONSERVER CES CONSIGNES D'INSTALLATION DANS UN ENDROIT FACILEMENT ACCESSIBLE POUR RÉFÉRENCE FUTURE.



LA PROCÉDURE D'INSTALLATION CORRECTE PAR UN TECHNICIEN QUALIFIÉ DOIT ÊTRE OBSERVÉE, COMME DÉCRIT DANS CES CONSIGNES D'INSTALLATION. FAUTE DE QUOI DES DOMMAGES MATÉRIELS, BLESSURES GRAVES, VOIRE MÊME LA MORT PEUT SUBVENIR.



DES MESURES DE SÉCURITÉ DOIVENT ÊTRE PRATIQUÉES À TOUT MOMENT DURANT L'ASSEMBLAGE DE CE PRODUIT. UTILISER L'ÉQUIPEMENT ET OUTILS DE SÉCURITÉ APPROPRIÉ POUR LA PROCÉDURE D'ASSEMBLAGE AFIN D'ÉVITER DES BLESSURES.



LES SUPPORTS PREMIER MOUNTS NE GARANTISSENT PAS CONTRE LES DOMMAGES CAUSÉS PAR L'USAGE DU PRODUIT DE MONTAGE PREMIER MOUNTS À D'AUTRES FINS QUE CELLES POUR LESQUELLES IL A ÉTÉ CONÇU OU DES DOMMAGES CAUSÉS PAR DES ACCESSOIRES OU DES MODIFICATIONS NON AUTORISÉS, ET NOUS NE POUVONS PAS ÊTRE TENUS RESPONSABLES DES DOMMAGES, PLAINTES, RÉCLAMATIONS, POURSUITES, ACTIONS OU CAUSES D'ACTION DE N'IMPORTE QUELLE MANIÈRE RÉSULTANT DE, DÉCOULANT DE OU TOUCHANT DE N'IMPORTE QUELLE MANIÈRE UN TEL USAGE, ACCESSOIRE OU MODIFICATION



Au moins deux personnes qualifiées devraient exécuter la procédure d'assemblage. Il pourrait subvenir des blessures et/ou des dommages matériels dû à la chute ou à la manipulation incorrecte de l'écran plat.



Si le montage s'effectue sur des rivets de mur ou des rivets de plafond, assurez-vous que les vis de montage sont ancrées au centre des rivets de mur ou des rivets de plafond. L'usage d'un détecteur de rivet bord-à-bord est recommandé.



Familiarisez-vous avec l'environnement de montage. Si un perçage et/ou une coupe est opéré sur la surface de montage, assurez-vous toujours qu'il n'y a pas de fils électriques dans le mur. Couper/percer dans une installation électrique peut causer des blessures graves.



S'assurer qu'il n'y a pas de canalisation d'eau ou de gaz naturel dans le mur où le montage doit être localisé. Une coupe ou un perçage dans une canalisation d'eau ou de gaz naturel peut causer des dommages matériels ou des blessures graves.



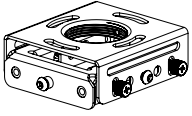






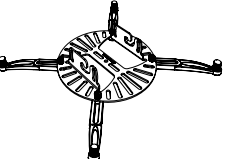






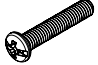



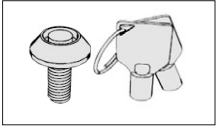
Ce produit n'est destiné qu'à être utilisé à l'intérieur. L'utilisation de ce produit à l'extérieur pourrait entraîner des défauts matériels et/ou des blessures graves.



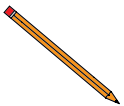





Ne pas installer près de sources de forte chaleur. Ne pas installer sur une structure soumise aux vibrations, aux mouvements ou aux chocs.

# PDS-PLUS / PDS-PLUS-W Installation Guide

## Included components

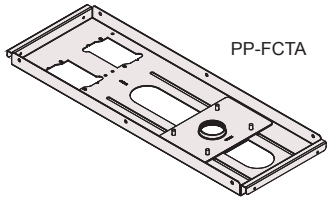
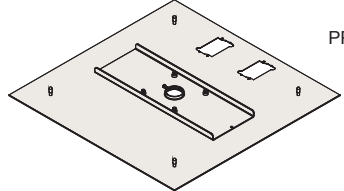
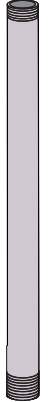
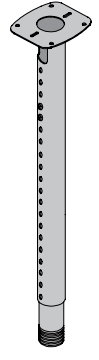

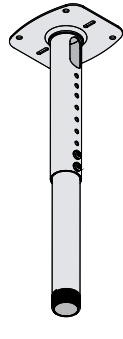
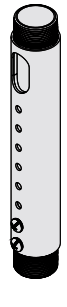
 Base Box (Qty 1)	 Mounting Leg - Short (Qty 2)	 #14 x 2" Wood Screw (Qty 2)	 Barrel Cap (Qty 6)	 External Tooth Washer (Qty 4)	 M6 x 8 Set Screws (Qty 1)	 M6 x 12 Knurl Knob (Qty 4)
 Projector Bracket with pre-installed legs (Qty 1)	 M3 Flat Washer (Qty 10)	 1/4 - 20" x 5/16" Screw (Qty 1)	 M2.5 x 10mm Screw (Qty 4)	 M2.5 x 12mm Screw (Qty 4)	 M3 Security Allen Key (Qty 1)	 M5 Security Allen Key (Qty 1)
	 M3 x 16mm Screw (Qty 4)	 M4 x 12mm Screw (Qty 4)	 M5 x 12mm Screw (Qty 4)	 M6 x 12mm Screw (Qty 4)	<b>Key Lock Set</b> 	

## Required for installation

 Pencil	 Protective Eyewear	 Drill Gun	 1/8" Drill bit	 Phillips Screwdriver	 Ladder
---	---	--	---	---	---

## Optional Mounting Configurations

This section contains different configurations, if applicable, that the PDS-PLUS/PDS-PLUS-W can be used with. The CLS adapter will be used in conjunction with the PP-FCTA and PP-FCMA. Please refer to the installation instructions that come packaged with the following products.

 PP-FCTA			 PP-FCMA		
 Standard 1 1/2" NPT	 AST-2446	 APP-2446	 AST-1321	 APP-1321	



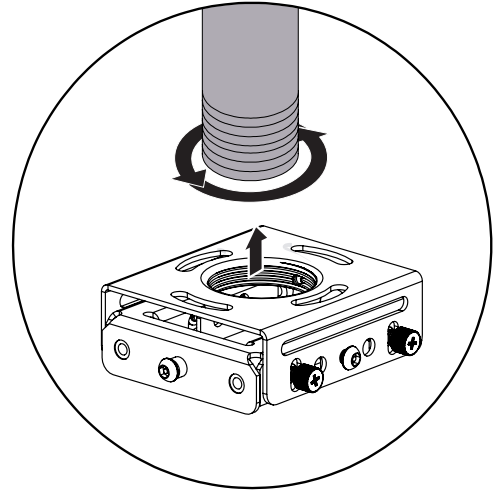
# PDS-PLUS / PDS-PLUS-W

## Installation Guide

1

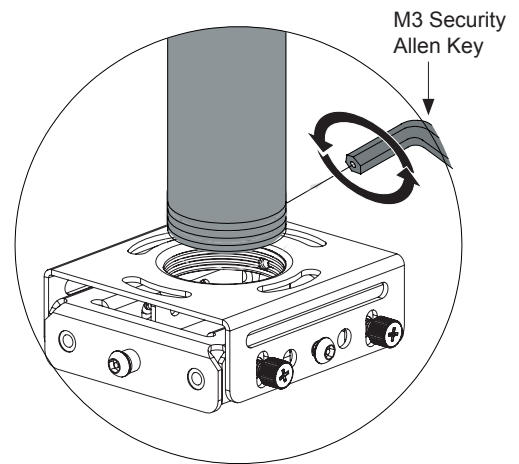
### Ceiling Installation - Pipe

After the pipe has been properly secured to the ceiling structure, thread the base box to the lower portion of the pipe.



2

Secure the base box to the pipe with the M6 x 8 mm set screw and Tighten it down using the M3 Security Allen wrench.



3

### Ceiling Installation - Wood Stud



Minimum of 2 by 4 wood stud to be used



Minimum de 2 par 4 bois goujon pour être utilisé

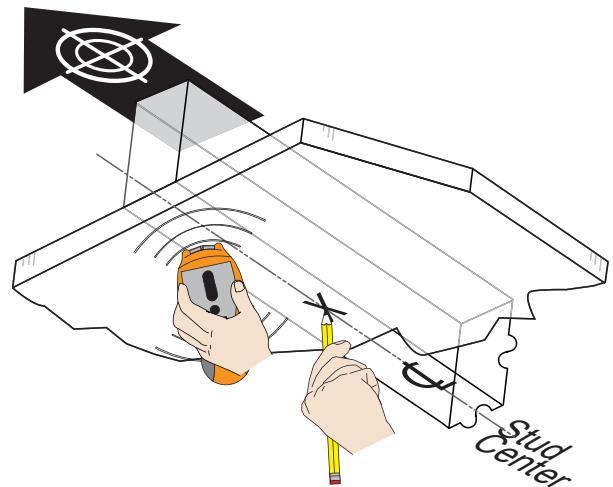
- 1) Use a stud finder to locate a ceiling stud closest to your desired installation location.
- 2) Identify the center of the ceiling stud.
- 3) Use a pencil to mark the location of the ceiling stud center.



The PDS-PLUS/PDS-PLUS-W may be attached to 1-1/2" standard threaded pipe (NPT), to one of Premier Mount's optional ceiling adapters, or to a single wood stud. If using an optional adapter, please refer to the installation instructions that come with adapters.



To prevent the stud from splintering, use a 1/8" wood drill bit to drill pilot holes.

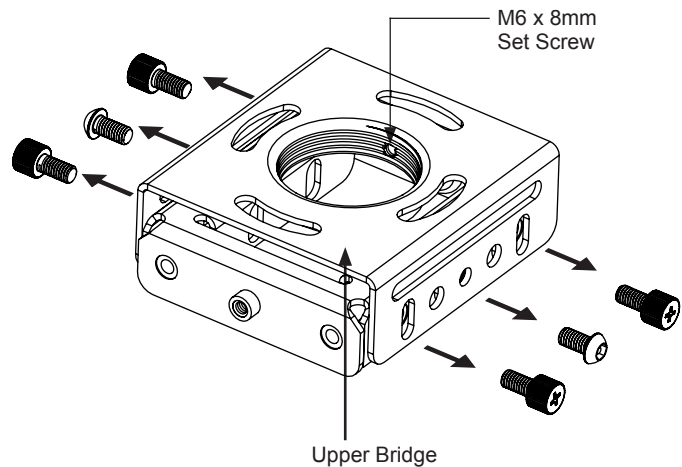


# PDS-PLUS / PDS-PLUS-W

## Installation Guide

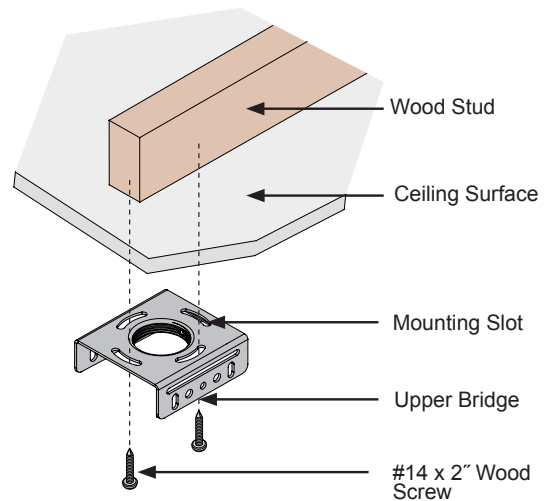
4

Separate the Upper Bridge from the base box by removing the four (4) M6 x 12 mm Knurl Knobs and two (2) security head screws (three total on each side).



5

- 1) Use the appropriate slot openings for single wood stud mounting, depending on your ceiling configuration. The adjustable channel slots on the upper bridge plate will allow you to fine tune the final orientation of the projector.
- 2) Secure the Upper Bridge to the center of the stud on the ceiling structure at this time using two (2) #14 x 2" wood screws.



6

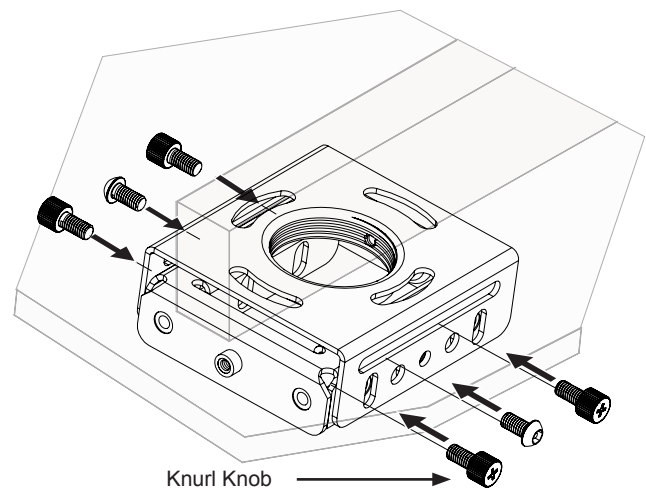
Attach the base box to the upper bridge and secure with the four (4) M6 x 12mm Knurl Knobs and two (2) security head screws (above).



DO NOT OVERTIGHTEN THESE SCREWS AT THIS TIME.



ÉVITER DE TROP SERRER CES VIS À CETTE ÉTAPE.



# PDS-PLUS / PLUS PLUS-W

## Installation Guide

### 7 Ceiling Installation - Solid Surface

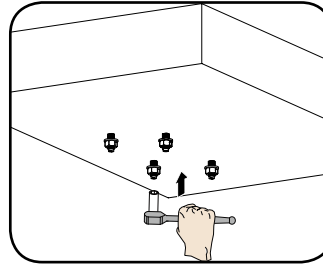
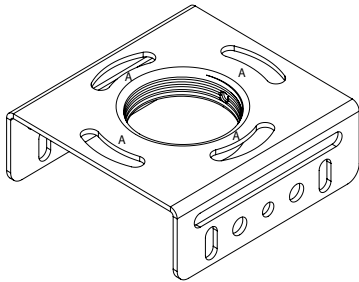
The PDS-PLUS/PDS-PLUS-W can be mounted to a ceiling with a minimum 6" thickness.

Use (4) Premier Mounts (Part # 0186-073-275-61)

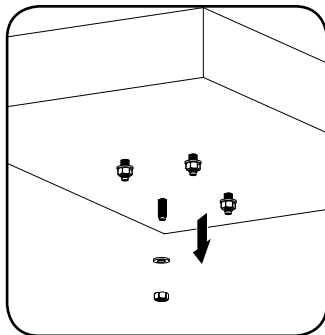
Use a 5/16" masonry bit to pre-drill the mounting holes in the solid surface.



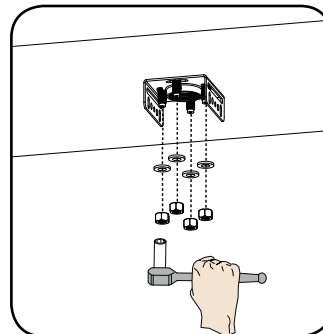
Concrete surface: Where denoted with the letter 'A' mark these locations for concrete installation



(1) Insert the anchor into place and tighten the anchor to expand and secure into place



(2) unistall nuts and washers.



(3) Place the upper assembly and reinstall the nuts and washer.



Do not over tighten



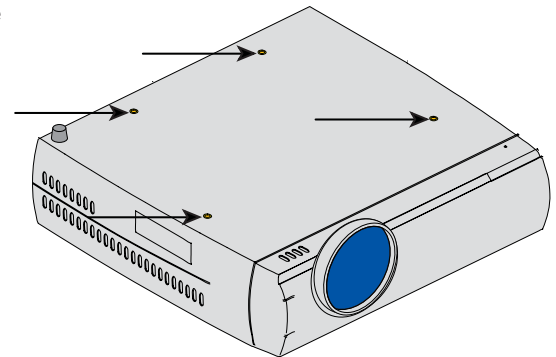
Éviter de trop serrer.

### 8 Attaching the PDS-PLUS / PDS-PLUS-W to the Projector



To truly show the versatility of the PDS-PLUS / PDS-PLUS-W, the following pictures will show a variety of configurations that can be achieved with the PDS-PLUS / PDS-PLUS-W. Your individual application will depend on the purchased projector.


- 1) Locate the mounting points on the bottom of the projector (see arrows above for sample mounting points).




## 9


### Selecting the Mounting Hardware


- 1) Insert a small straw or toothpick into the threaded inserts found on the bottom or top of the projector.
- 2) Use a pencil to mark the depth of the threaded insert on the small straw or toothpick.
- 3) Mark the straw or toothpick 1/8" above the depth of the threaded insert, as shown in Figure 1.
- 4) Insert the small straw or toothpick into the remaining threaded inserts to compare and verify their depth using the straw or toothpick's 1/8" allowance mark.
- 5) Locate the correct diameter screw for the threaded insert.

 If the screw you selected is longer than the 1/8" allowance mark on the small straw or toothpick, as shown in Figure 2 and Figure 3, do not use this screw. The screw length must not bypass the mark.

 Si la vis que vous sélectionnez est plus longue que la marque du jeu maximal de 1/8" sur le pailon ou le cure-dents, comme illustré sur le schéma 2 et le schéma 3, veuillez ne pas utiliser cette vis. La longueur de la vis doit dévier la marque.

- 6) Test each size of the screws provided. The correct screws should thread easily into the mounting point and not pull out when tension is applied.

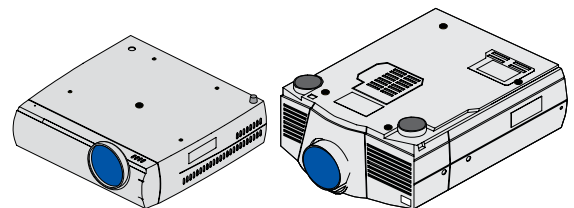
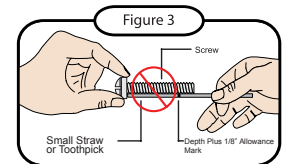
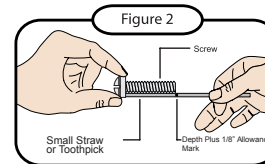
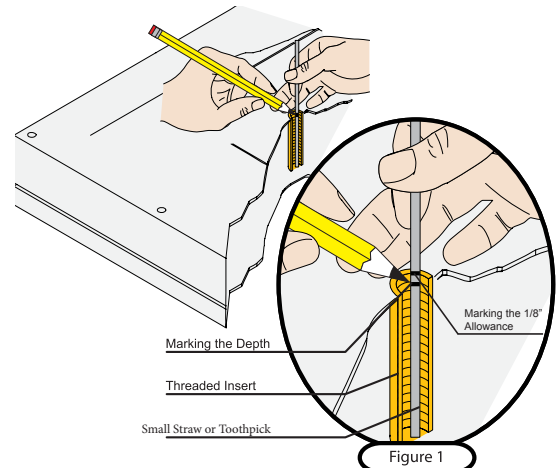
 Does your projector have multiple mounting points or a single mounting point?

 Votre projecteur comporte-t-il des points de montage divers ou un point de montage unique ?

The PDS-PLUS/PDS-PLUS-W comes with the option of using Lock-It™ Security Screws. To use the security screws, simply replace the M6 x 12mm Phillips Pan head screws with the M6 x 12mm security screws. Once the hardware has been changed, adjust the PDS-PLUS/PDS-PLUS-W and tighten down the M6 x 12mm security screws using the M5 Security Allen wrench (supplied).

If your projector has multiple mounting points, proceed to the **"Multiple Mounting Point Installation"** section.

If your projector has a single mount point, remove the pre-installed mounting legs on the universal projector plate and skip to the **"Single Mount Point Installation"** section.



## 10

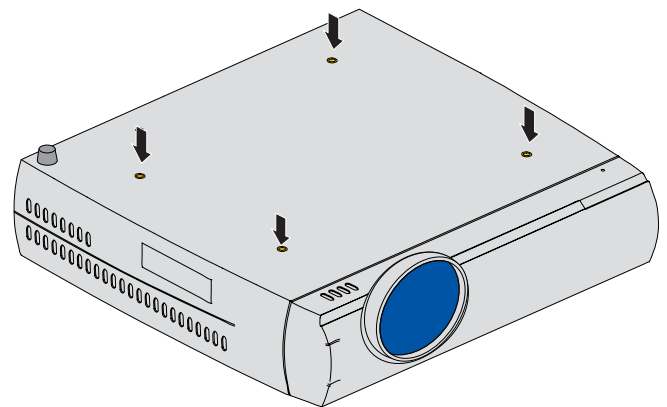
### Multiple Mounting Point Installation

- 1) Locate the projector's mounting points.
- 2) Position an appropriate number of mounting legs on the projector.

The four long mounting legs come pre-installed, but you can use three (3) or four (4) long mounting legs and/or short mounting legs, depending on what the projector requires.




The number and placement of mounting points on projectors varies between projector manufacturers. Refer to your projector's technical specifications for the number and location of the mounting points on your specific projector.





# PDS-PLUS / PDS-PLUS-W

## Installation Guide


11


 Only attach to the projector manufacturer's specified mounting points on the projector chassis with a minimum three mounting legs. Please follow all safety instructions specified by the projector manufacturer as well as the safety instructions outlined in this manual.

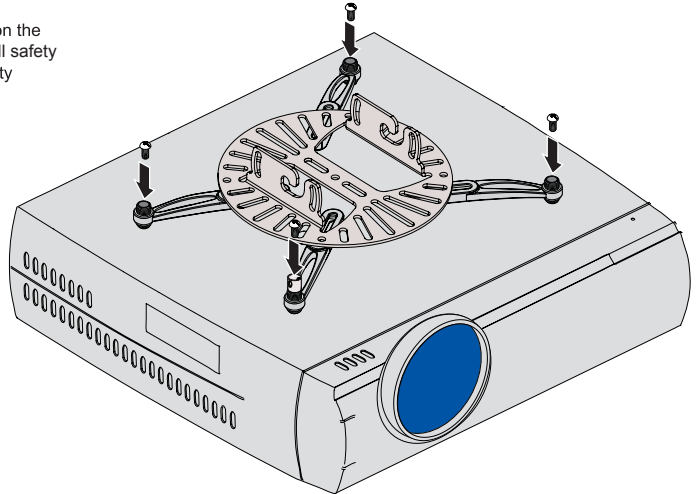
 Ne fixer qu'aux points de montage indiqués par le fabricant du projecteur sur le châssis du projecteur avec un minimum de trois supports de montage. Veuillez suivre toutes les consignes de sécurité spécifiées par le fabricant du projecteur ainsi que les consignes de sécurité décrites dans ce manuel.

 Depending on your application, the long mounting legs and the short mounting legs may be used together. There are multiple configurations that may be used combining the long mounting legs with the short mounting legs.

- 1) Attach the appropriate number of mounting legs to the projector using the corresponding mounting hardware.


 Do not tighten the mounting hardware at this time.

 Éviter de serrer le dispositif de montage à cette étape.



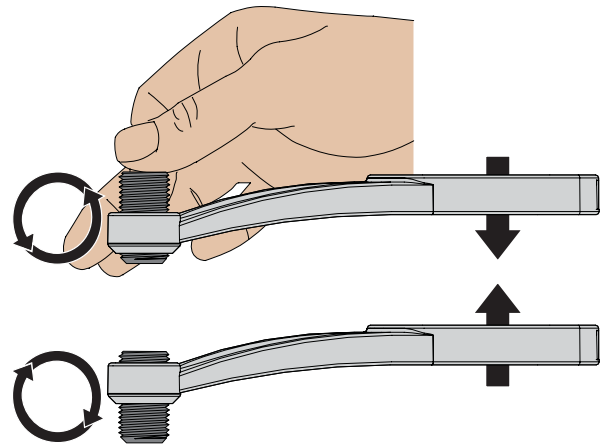
12

- 1) If the mounting legs need to be leveled, rotate the leveling barrels to level the mounting bracket.
- 2) To raise the mounting legs, rotate the leveling barrel clock-wise. To lower the mounting leg, rotate the leveling barrel counter clock-wise.

 Raise or lower each of the mounting legs, by rotating the leveling barrels, until all of the mounting legs are at an equal height.

- Lower the mounting leg by rotating the leveling barrel counter-clockwise.
- Raise the mounting legs by rotating the leveling barrel clockwise.

- 3) When the desired position is achieved, tighten the mounting screws to the projector and then tighten the hex head leg screws with the M5 Allen wrench.



### Pro Tip



#### Mounting Hardware Too Long?

The depth of some projector mount points may prevent you from tightening the M2.5 and M3 mounting hardware.

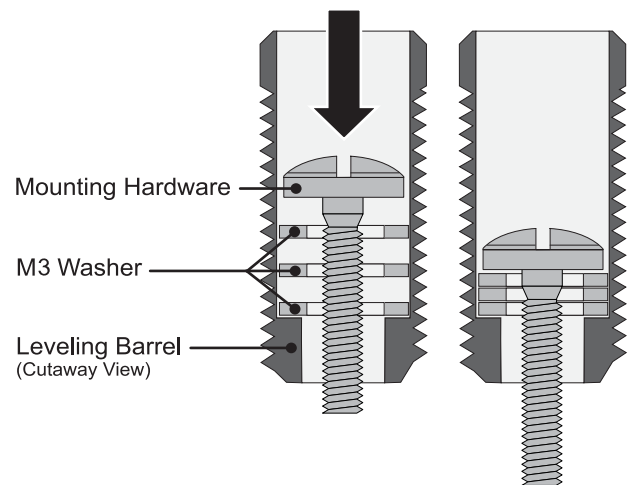
You can reduce the length of the M2.5 and M3 mounting hardware by stacking up to a maximum of five (5) M3 flat washers inside the leveling barrel.



Avoid stacking too many M3 washers; the mounting hardware must thread into the projector mount point at least four (4) complete turns.



Éviter l'empilement de trop de rondelles M3 ; le matériel de montage doit embrocher le point de fixation du projecteur en quatre (4) tours complets, à tout le moins.

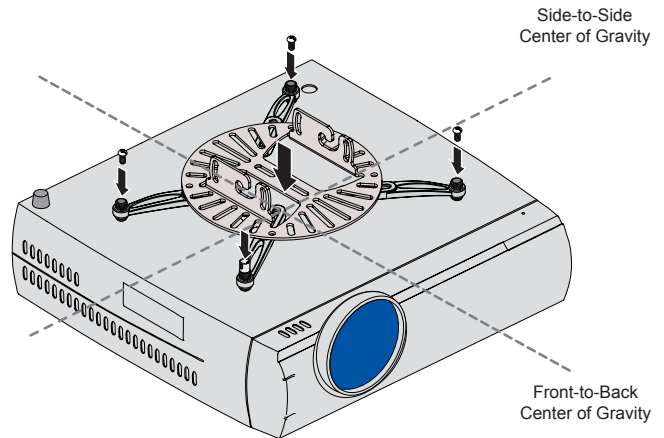




# PDS-PLUS / PDS-PLUS-W Installation Guide

13

- 1) Identify the projector's approximate front-to-back center of gravity. Place your hands on each side of the projector and gently lift it an inch from the surface on which it is resting. Carefully adjust your grip on the projector until it seems balanced from front-to-back. Mentally note the apparent center of gravity.
- 2) Identify the projector's approximate side-to-side center of gravity. Place your hands on the front and back of the projector and gently lift it an inch from the surface on which it is resting. Carefully adjust your grip on the projector until it seems balanced from side-to-side. Mentally note the apparent center of gravity.
- 3) Place the PDS-PLUS/PDS-PLUS-W Projector Plate (if not already attached) on top of the mounting legs with the center of the plate as close as possible to the projector's center of gravity.

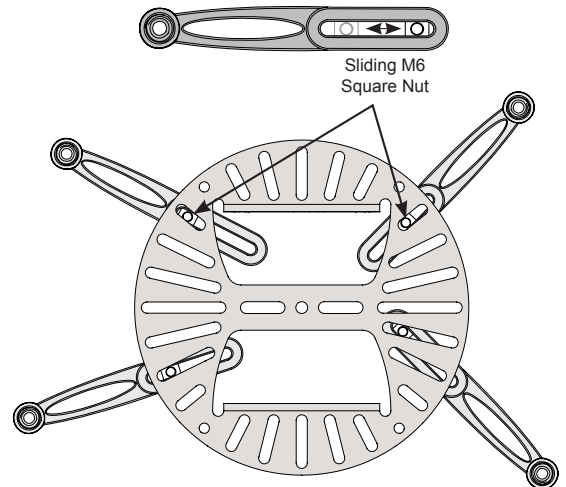


14

- 1) Position the legs accordingly for best configuration. You may raise or lower each leg independently by turning the leveling barrels.
- 2) Secure the legs to the projector plate by screwing Knurl knobs into the M6 square nut (do not overtighten) on the mounting legs.
- 3) Verify the position of the integrated sliding M6 square nut in the mounting leg relative to a nearby slot on the PDS-PLUS/PDS-PLUS-W Projector Plate.



If the M6 square nut is not aligned with any slot, you can use any thin implement, such as a toothpick, to nudge it into alignment.



15

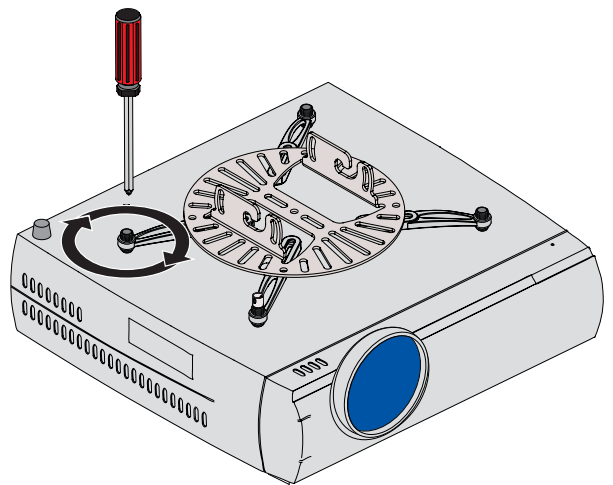
- 1) Tighten the mounting screws which secure the mounting legs to the projector.



Do not overtighten the mounting screws.



Éviter de trop serrer les vis de montage.



# PDS-PLUS / PLUS PLUS-W

## Installation Guide

16

- 1) Attach the Projector Plate (if not already attached) to each of the mounting legs by inserting and tightening one (1) Knurl knob through the Projector Plate into the M6 square nut on each of the mounting legs.

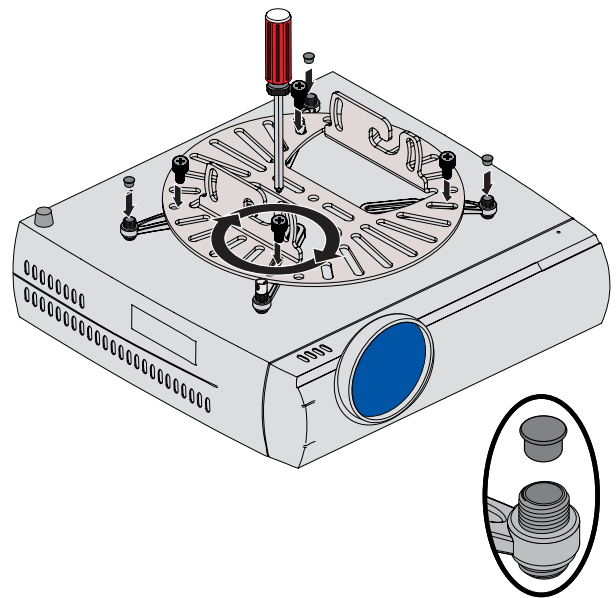


Do not overtighten the Knurl knobs.



Éviter de trop serrer les fixe-boutons.

Insert one (1) Barrel Cap into the end of each leveling barrel (except the security leveling barrel).



17

### Single Mount Point Installation

If your projector has only one mounting point, a 1/4-20 x 5/16" screw must be used to attach the mount to the projector. Please refer to the following three steps:

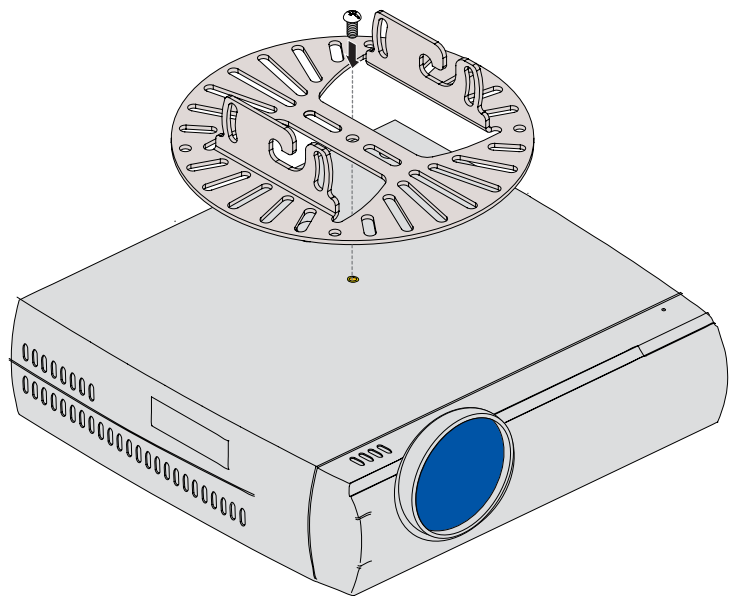
- 1) Determine where the mounting point is located.
- 2) Place the projector plate over the mounting point.
- 3) Insert the 1/4-20 x 5/16" security screw.



Do not overtighten the 1/4-20 x 5/16" screw.

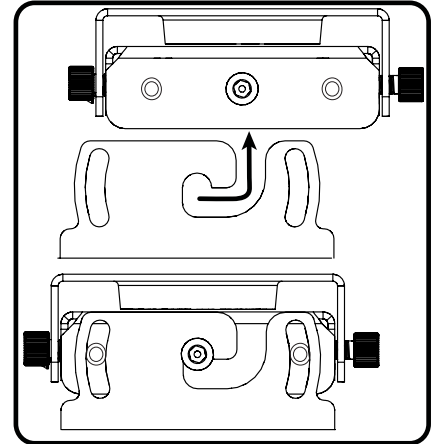


Éviter de trop serrer la vis de 1/4-20 x 5/16".



18

- 1) Raise the projector (with the mounting bracket attached) and hook the projector bracket over the hinge pins.
- 2) Make sure the bracket is resting on the Base Box before letting go of the projector.



19

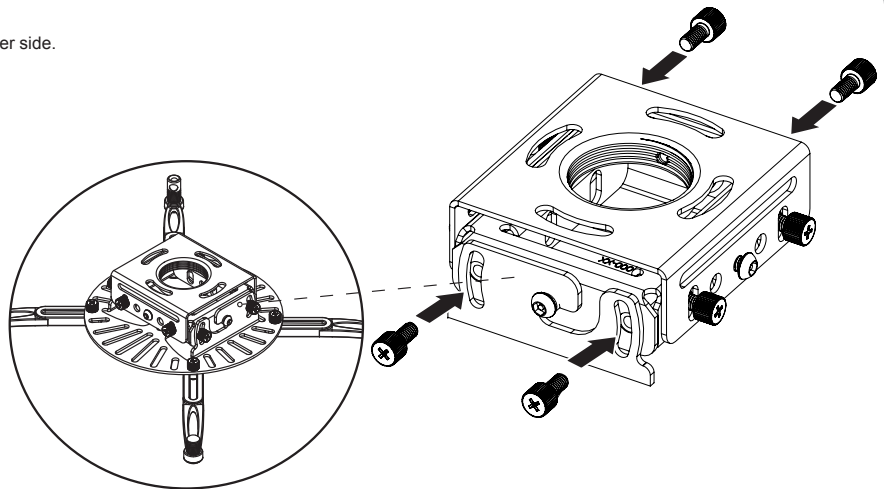
- 1) Insert the four (4) adjustment knurl knobs, two (2) per side.
- 2) Tighten all knurl knobs.



Do not overtighten.



Éviter de trop serrer.



20

### Base Box Adjustment

- 1) You can adjust the roll of the projector by loosening the three (3) front and rear knurl knobs.

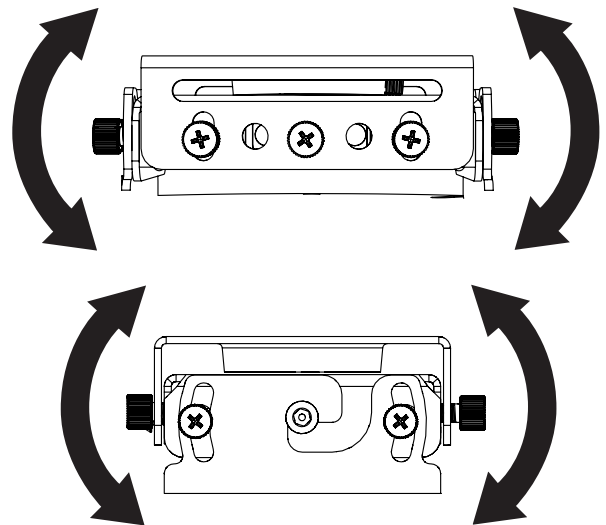


Do not fully loosen the screws, as the mount may drop.



Ne pas complètement desserrer les vis, comme cela risque de faire tomber le support.

- 2) Set the desired roll and then tighten the screws. First tighten the center screws and work your way to the outside screws, making any final adjustments prior to tightening the last two screws.
- 3) You can adjust the tilt of the projector by loosening the two knurl knobs on each side of the Base Box.
- 4) Set the desired tilt and then tighten the screws, making any final adjustments prior to tightening the last two screws.
- 5) Once all adjustments have been made, tighten all hardware.



# PDS-PLUS / PLUS PLUS-W

## Installation Guide

21

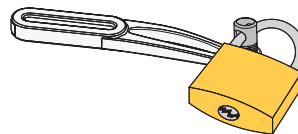
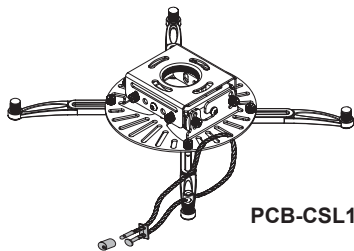
### Securing the PDS-PLUS / PDS-PLUS-W Projector Mount

Your PDS-PLUS/PDS-PLUS-W Projector Mount includes one (1) Security Leveling Barrel which can provide additional theft deterrence for your projector.

Shown below are two examples of how you can use the security leveling barrel to make your projector installation more secure: the PCB-CSL1 Security Cable (sold separately) or padlock (combination or keyed; sold separately). Follow the instructions below to install and secure the security leveling barrel.

If you choose to install the security leveling barrel, please follow the instructions outlined below.

- 1) Determine which leveling barrel will be removed.
- 2) Remove the mounting screw.
- 3) Remove the leveling barrel by turning the leveling barrel counter-clockwise.
- 4) Thread in the security leveling barrel clockwise.
- 5) Insert and tighten the mounting screw.
- 6) Attach theft deterrent device (PCB-CSL1 or padlock) through the hole that is on the security leveling barrel.



**Padlock**  
(Combination or Keyed)

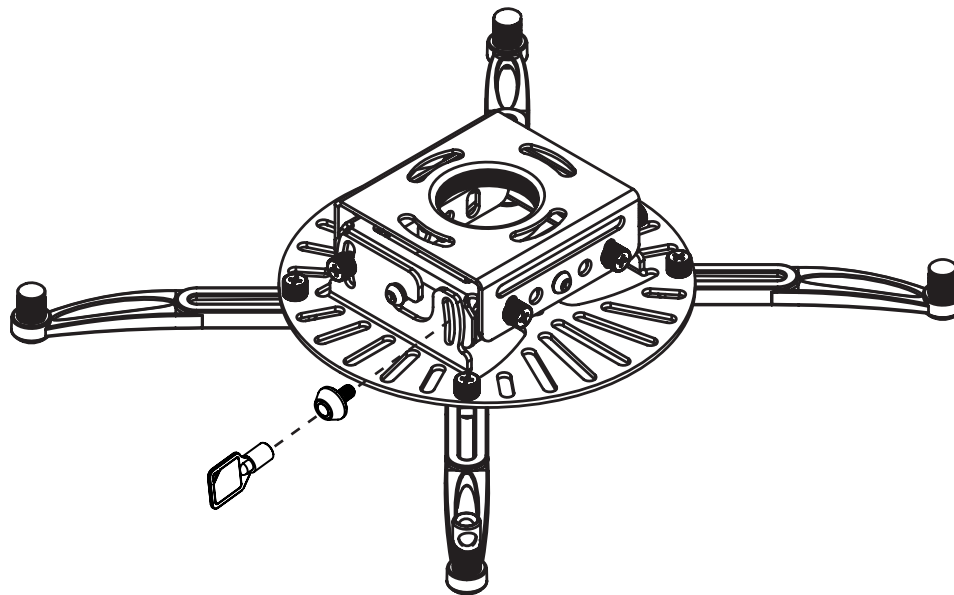
22

### Installation the Keylock Security Screw

The included keylock screw may be used for added security.

If you choose to use the keylock screw, please follow the steps below.

- 1) Choose a screw to be replaced with the keylock screw. The screw attaching the hinge pin should not be removed.
- 2) Install the keylock screw using the included keylock key.



## **PREMIER MOUNTS LIMITED LIFETIME WARRANTY**

### **What and Who is Covered by this Limited Lifetime Warranty**

Premier Mounts warrants all mounting products to be free from defects in material and workmanship for the lifetime of the original installation of the product.

### **What Premier Mounts Will Do**

At the sole option of Premier Mounts, Premier Mounts will repair or replace any product or product part that is defective. If Premier Mounts chooses to replace a defective product or part, a replacement product or part will be shipped to you at no charge, but you must pay any related labor costs.

### **What is Not Covered: Limitations**

Premier Mounts disclaims any liability for damage to mounts, adapters, displays, projectors, other property, or personal injury resulting, in whole or in part, from improper installation, modification, use or misuse of its products.

**NOTWITHSTANDING ANYTHING TO THE CONTRARY IN THIS WARRANTY, THIS WARRANTY IS LIMITED TO FIVE YEARS FROM THE DATE OF PURCHASE IN THE EVENT THAT THE WARRANTED PRODUCT IS COMMERCIALY RENTED OUT.**

Electrical products and components, such as amplifiers, speakers, motors, switches remote controls and related electrical items, are backed by a 3-year warranty.

Premier Mounts disclaims all other warranties, express or implied, including warranties of merchantability and fitness for a particular purpose. Premier Mounts is not responsible for incidental or consequential damages, including but not limited to, inability to use its products or labor costs for removing and replacing defective products or parts. Some states do not allow the exclusion or limitation of incidental or consequential damages, so the above limitation or exclusion may not apply to you.

### **What Customers Must Do for Warranty Service**

If you discover a problem that you think may be covered by the warranty, you must report it in writing to the address below within thirty (30) days. Proof of purchase (an original sales receipt) from the original consumer purchaser must accompany all warranty claims. Warranty claims must also include a description of the problem, the purchaser's name, address, and telephone number. General inquiries can be addressed to Premier Mounts Customer Service at 1-800-368-9700. Warranty claims will not be accepted over the phone or by fax.

### **PREMIER MOUNTS**

#### **ATTN: Warranty Claims**

500 W Central Ave, Suite A  
Brea, CA 92821

### **How State Law Applies**

This warranty gives you specific legal rights, and you may also have other rights which vary from state to state.

Premier Mounts intends to make this manual accurate and complete. However, Premier Mounts makes no claim that the information contained herein covers all details, conditions or variations, nor does it provide for every possible contingency in connection with the installation or use of this product. The information contained in this document is subject to change without notice or obligation of any kind. Premier Mounts makes no representation of warranty, expressed or implied, regarding the information contained herein. Premier Mounts assumes no responsibility for accuracy, completeness or sufficiency of the information contained in this document.

### **©PREMIER MOUNTS**

500 W Central Ave, Suite A  
Brea, CA 92821

### **USA & CANADA**

Phone: 800-368-9700

Fax: 800-832-4888

e. [orders@premiermounts.com](mailto:orders@premiermounts.com)

