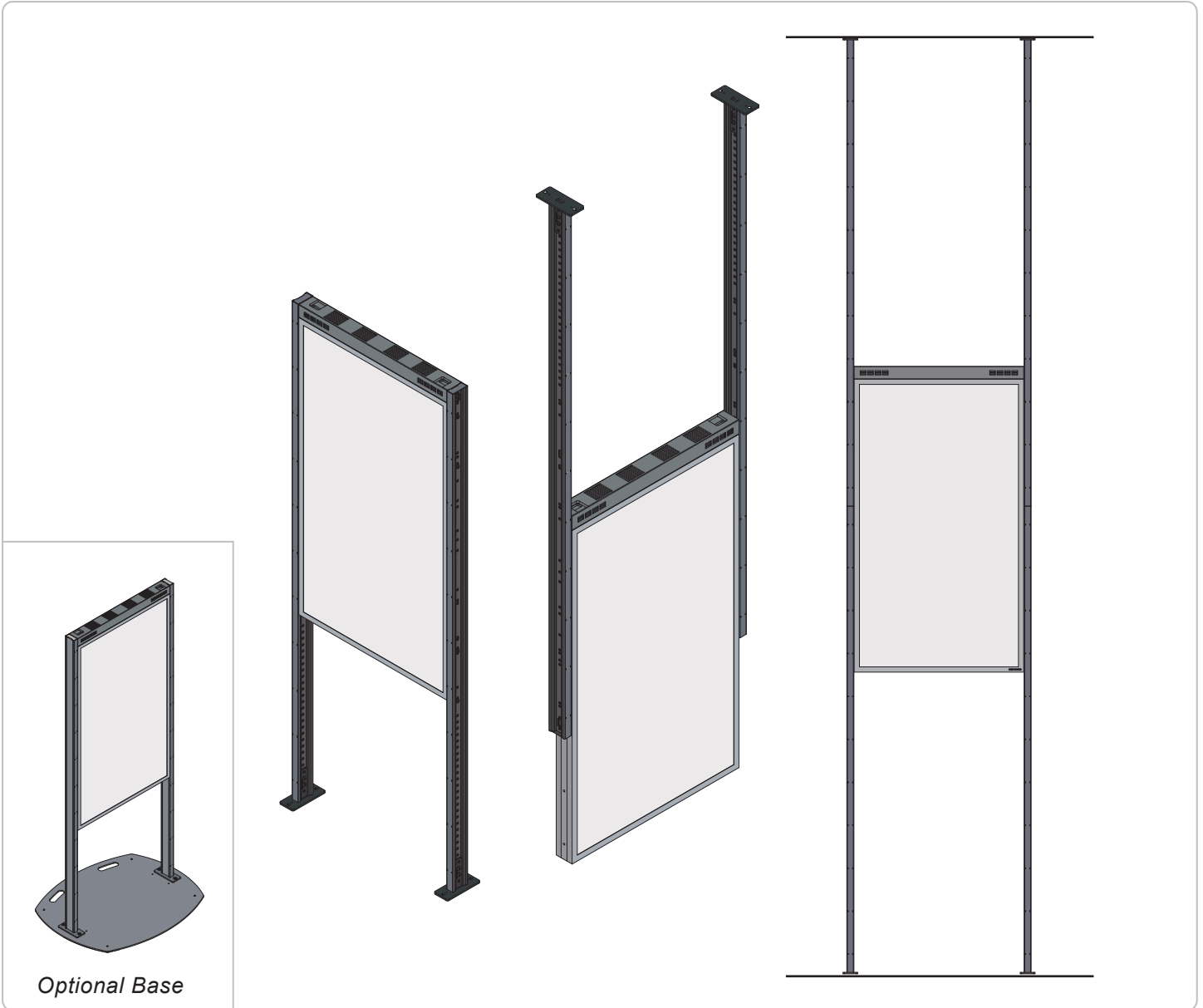


PFC-OMND

INSTALLATION GUIDE

Premier Floor Ceiling Mount
For Samsung OM46N-D and OM55N-D



PFC-OMND

Installation Guide

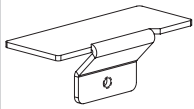
INCLUDED COMPONENTS:



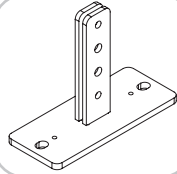
2000mm Long Bar (Qty: 1 Pair)



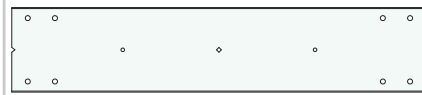
Cable Management Covers (Qty: 2 Pair)



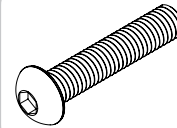
End Cap (Qty: 2)



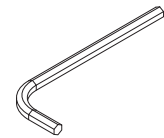
Leg (Qty: 2)



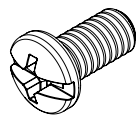
Mounting Template
(Qty: 1)



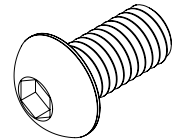
M8 x 35mm Button
Hex (Qty: 8)



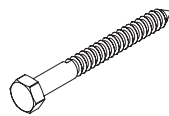
M5 Allen Key
(Qty: 1)



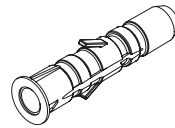
M4 x 10mm Pan
Head (Qty: 2)



M8 x 16mm Button
Hex (Qty: 8)



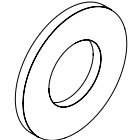
5/16" x 3" Hex
Head Lag (Qty: 4)



Twist Action Finned
Anchor (Qty: 4)



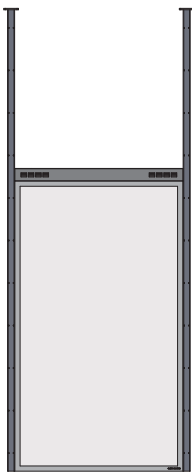
Snap On Dome
Cap (Qty: 4)



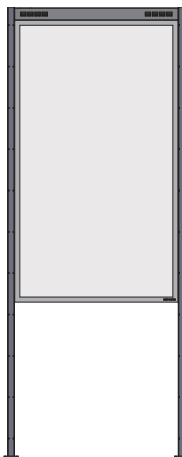
5/16" Flat Washer
(Qty: 4)

SUITABLE APPLICATIONS:

CEILING



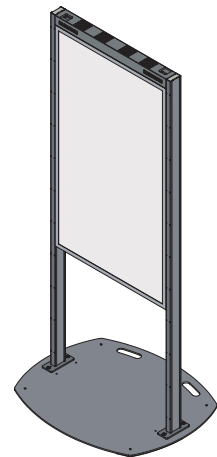
FLOOR



FLOOR TO CEILING



WITH OPTIONAL BASE



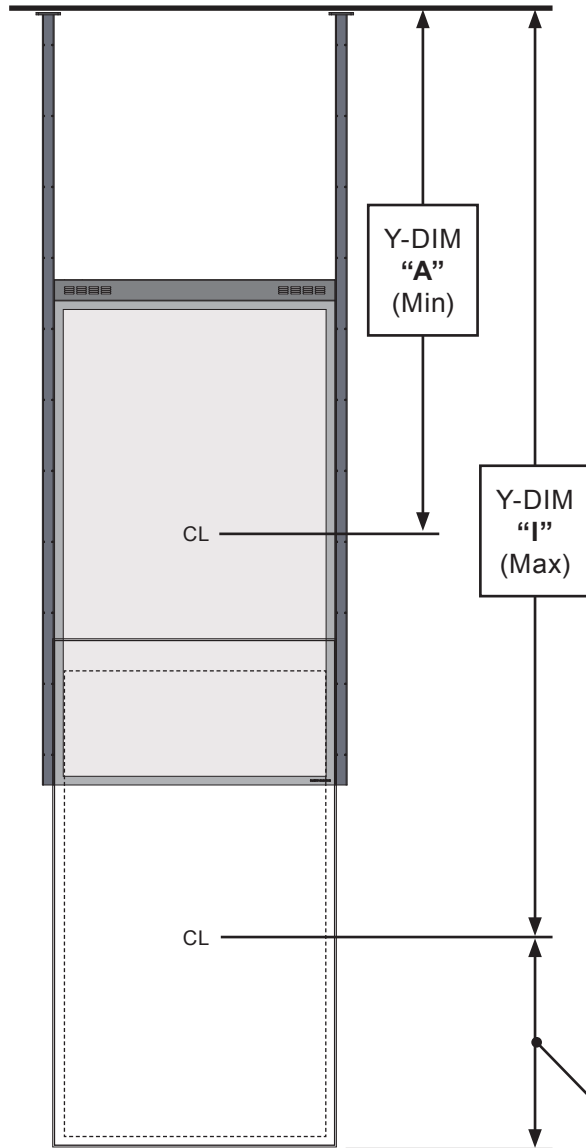
A

DETERMINE THE VIEWING HEIGHT

APPLICATIONS:

- CEILING
- FLOOR TO CEILING

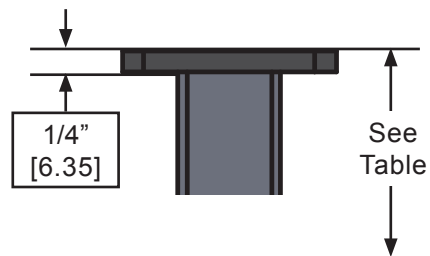
Viewing Height is adjustable by installing at optional fixed mounting location.



OM46N-D	Y-DIM	OM55N-D
59-0" [1498.4]	A	54-1/8" [1376.0]
64-1/8" [1628.8]	B	59-1/2" [1512.5]
65-7/8" [1671.8]	C	60-0" [1524.5]
72-0" [1828.8]	D	61-3/4" [1567.5]
75-1/8" [1908.4]	E	67-7/8" [1724.5]
78-7/8" [2004.2]	F	78-7/8" [2004.2]
85-1/4" [2165.3]	G	82-5/8" [2099.9]
85-3/4" [2177.3]	H	89-0" [2261.0]
87-3/8" [2220.3]	I	91-1/8" [2316.0]

Table shown above measured from bottom of the base.

Subtract 1/4" [6.35] if using the dimension to cut [actual length 78.65" [1997.7]] long bar.



From center to bottom edge
 21" [532.1] for **OM46N-D**
 24-3/4" [627.9] for **OM55N-D**



PFC-OMND

Installation Guide

B

DETERMINE THE VIEWING HEIGHT

APPLICATIONS:

- FLOOR
- FLOOR TO CEILING
- OPTIONAL FLOOR BASE

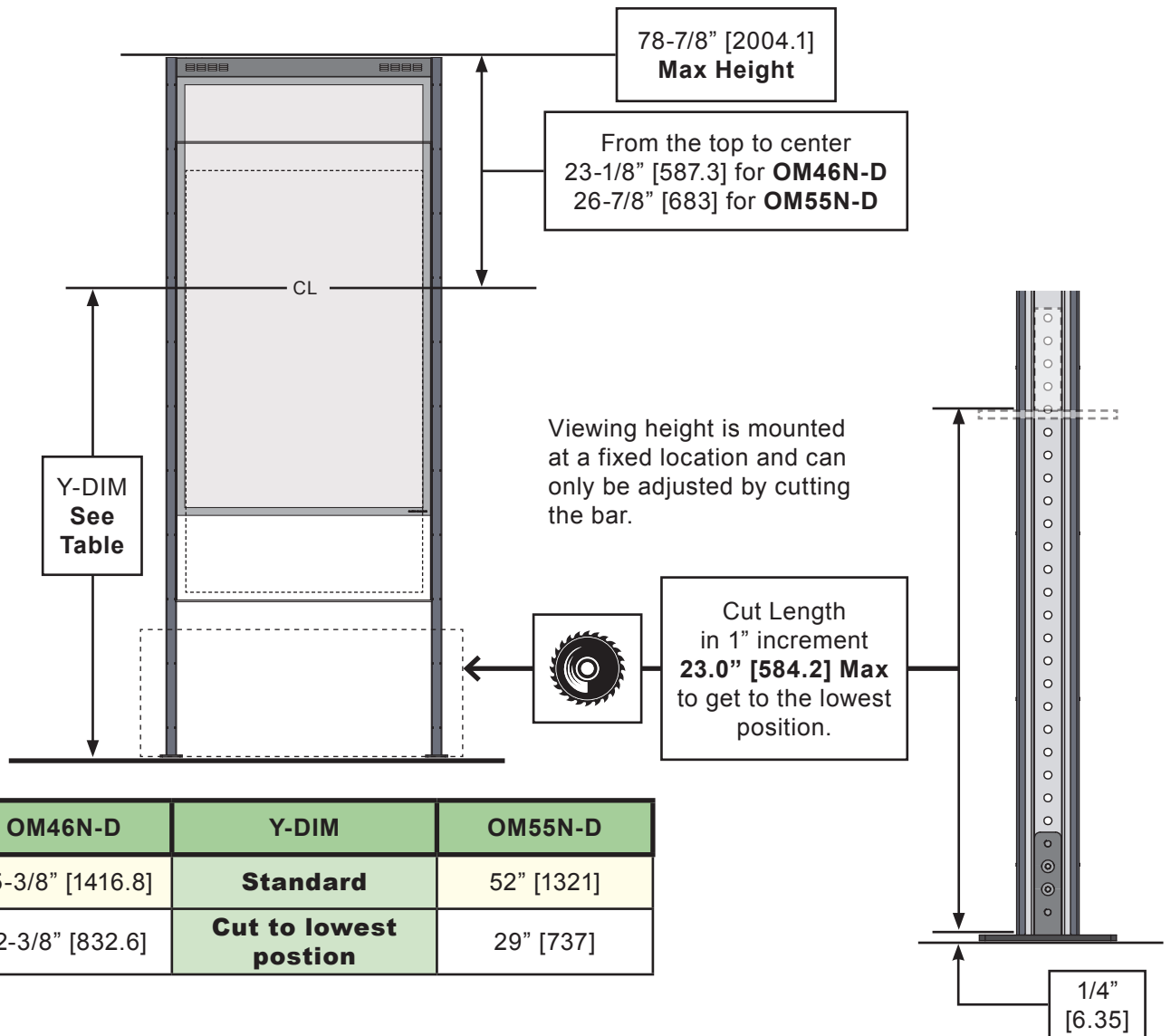


Table shown above measured from bottom of the base.

Subtract 1/4" [6.35] if using the dimension to cut [actual length 78.65" [1997.7]] long bar.



C

DETERMINE THE VIEWING HEIGHT

APPLICATIONS:

- FLOOR TO CEILING (USES X2 PFC-OMND).

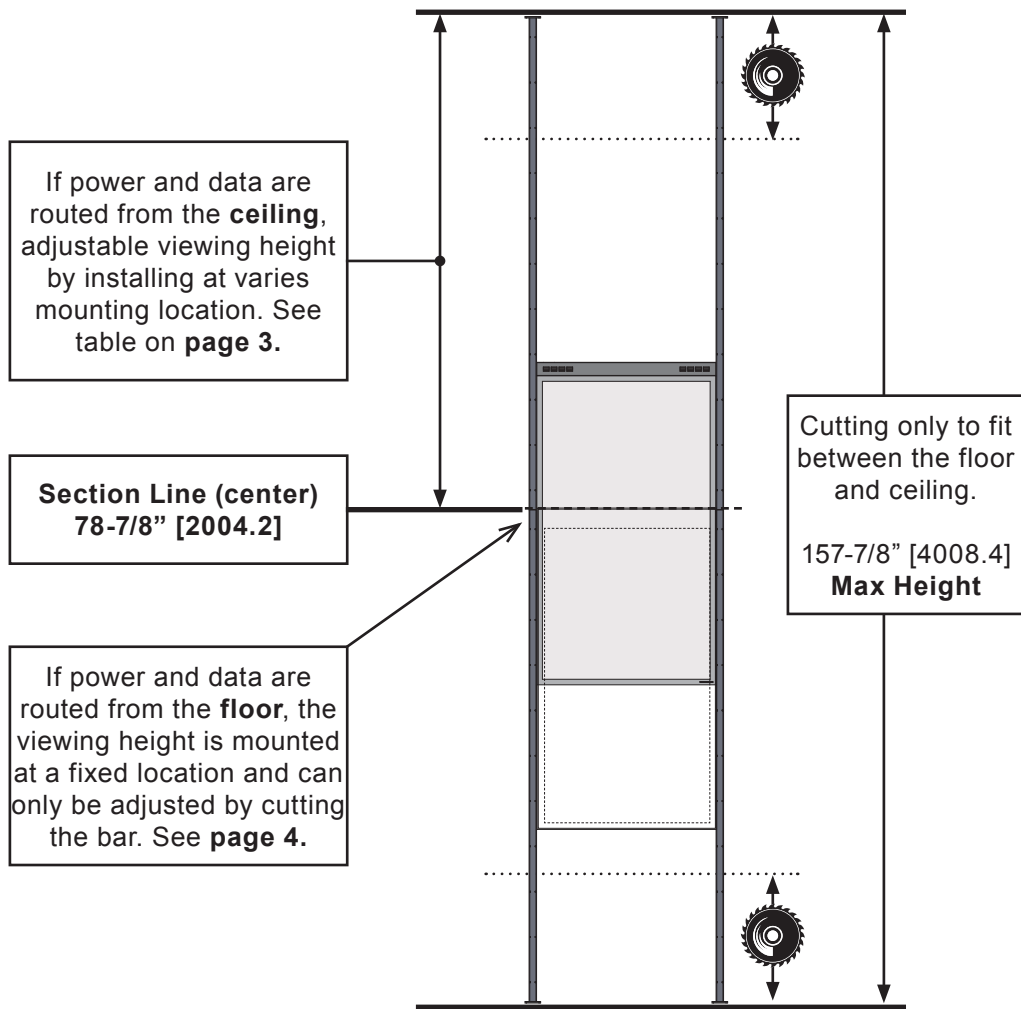
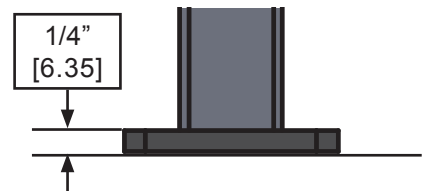


Table shown aboved measured from bottom of the base.

Subtract 1/4" [6.35] if using the dimension to cut [actual length 78.65" [1997.7] long bar.

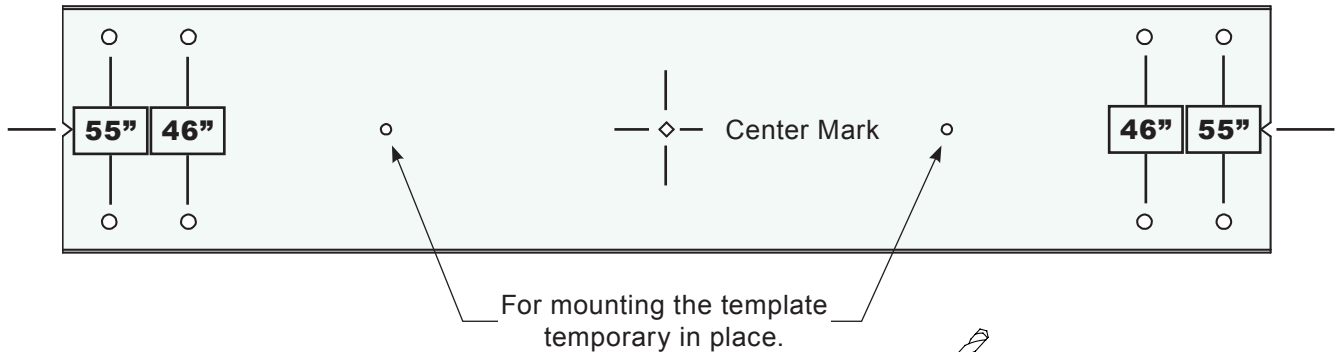


PFC-OMND

Installation Guide

1

USE THE TEMPLATE FOR PRE-INSTALLATION



Position the template to the desired location.

Mark the mounting points based on the flat-panel display sizes, either 46" or 55"

Drill into 4 marked mounting points using specific size bit depending on the application.

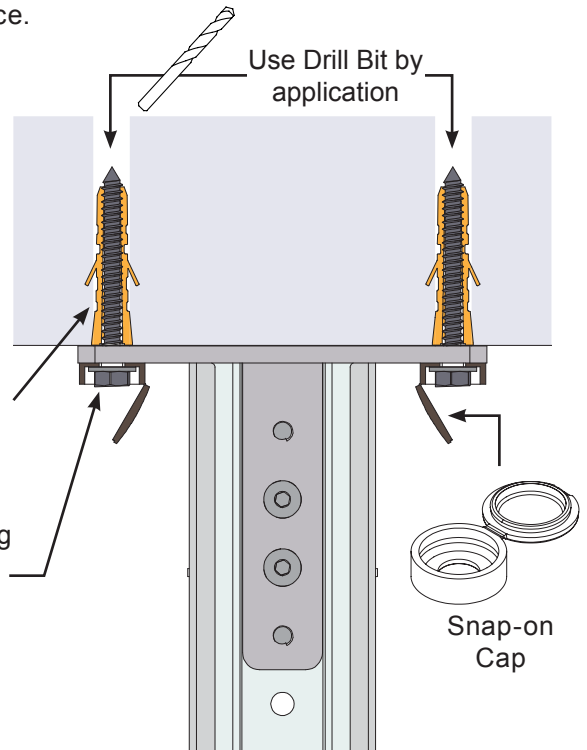
Wood Application:

Use 1/4" drill bit

Concrete Application:

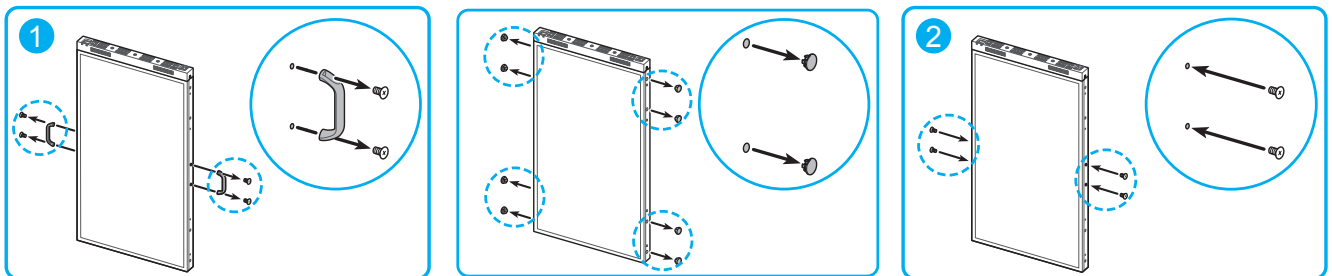
Make a pilot hole with 1/8" or 7/32" drill bit.

Finish with 3/8" drill bit.



2

REMOVE THE HANDLES



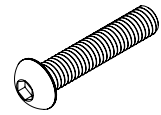
See OMN (Semi-outdoor installation guide) for further details.



3

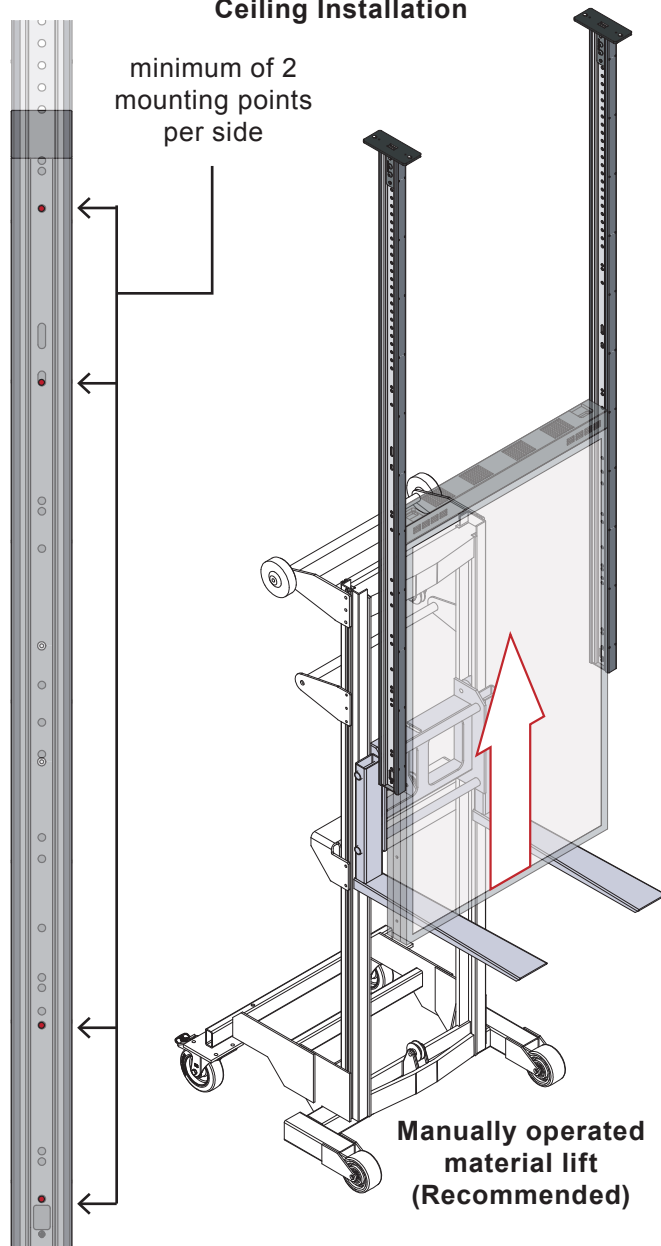
INSTALLING THE OMN-D TO THE MOUNT

1. Remove the handles (if attached on the OMN-D) before proceeding.
2. Carefully transport the flat-panel display to the mount and fasten using M8 x 35mm Button Hex screws where applicable. A minimum of 4 mounting points (2 per side) must be used to safely secure the display.

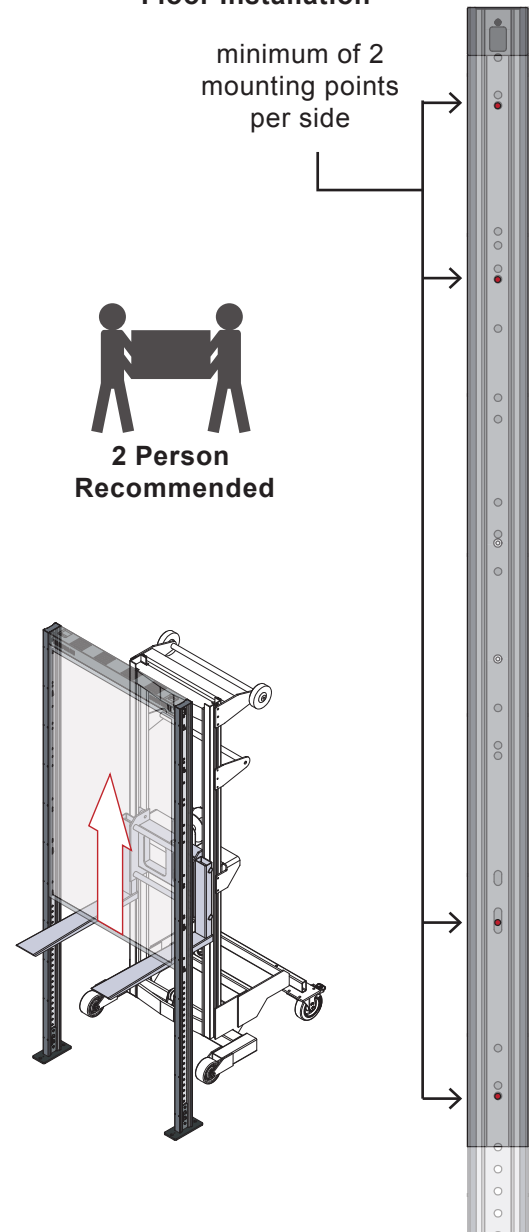


M5 X 35
Button Hex

Ceiling Installation



Floor Installation



Shown using OMN55-D for visual clarity. Mounting location will vary based on the viewing height.



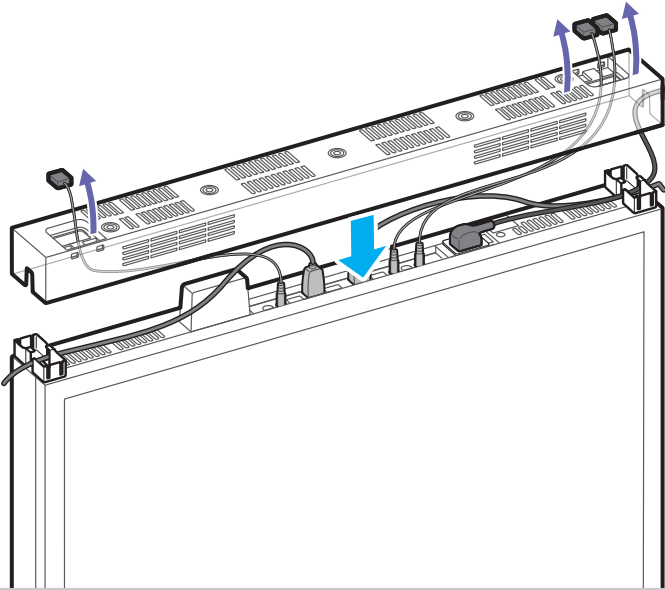
PFC-OMND

Installation Guide

4

ROUTE POWER AND DATA CABLE WITHIN THE CHANNEL OF THE MOUNT.

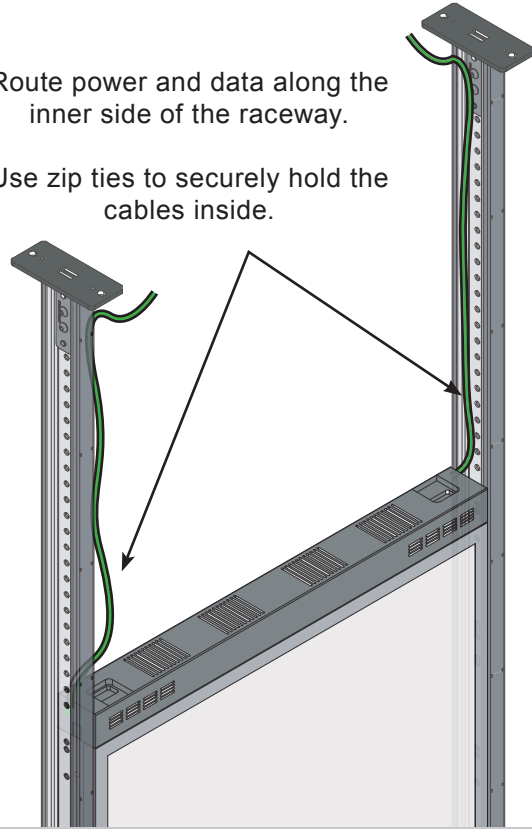
Samsung OMN-D Installation Guide must be read in conjunction of all steps within this guide.



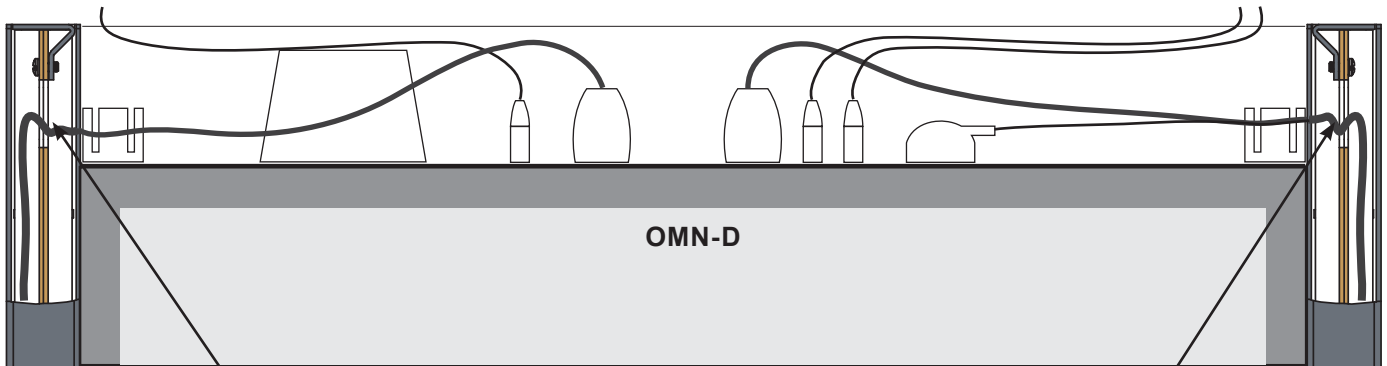
CEILING INSTALLATION

Route power and data along the inner side of the raceway.

Use zip ties to securely hold the cables inside.

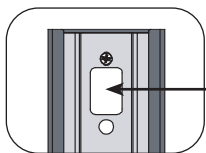


FLOOR INSTALLATION



OMN-D

Route power and data through the cable access slot along the outer side of the bar.



Cable access slot

Front Section View

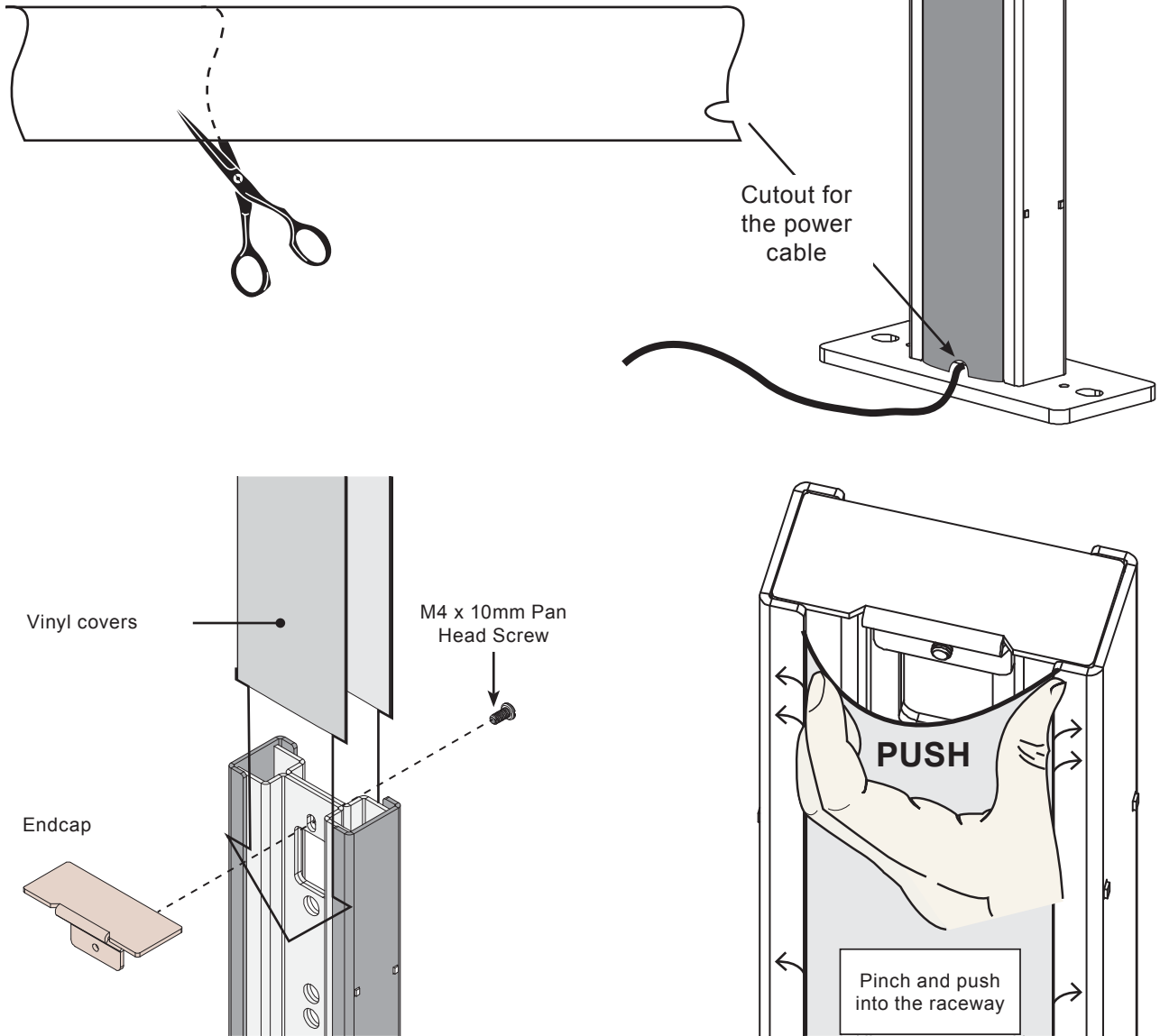
Not to scale



5

INSTALL THE CABLE MANGEMENT COVERS

1. Cut the vinyl covers to size if applicable.
2. Make a cutout for the power cable.
3. The endcaps are removable for ease of installation.
4. Slide in or pinch and push the vinyl covers into the raceway.



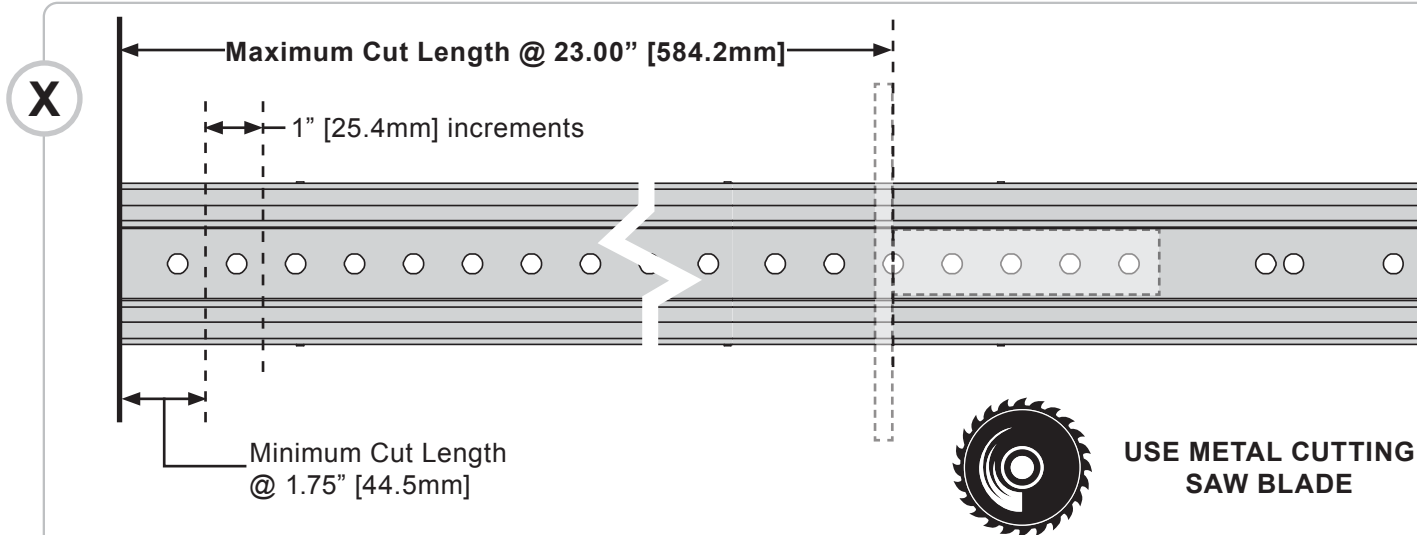
THE MOUNT IS READY.



PFC-OMND

Installation Guide

OPTIONAL: CUT THE BAR WITHIN RANGE



PREMIER MOUNTS LIMITED LIFETIME WARRANTY

What and Who is Covered by this Limited Lifetime Warranty

Premier Mounts warrants all mounting products to be free from defects in material and workmanship for the lifetime of the original installation of the product.

What Premier Mounts Will Do

At the sole option of Premier Mounts, Premier Mounts will repair or replace any product or product part that is defective. If Premier Mounts chooses to replace a defective product or part, a replacement product or part will be shipped to you at no charge, but you must pay any related labor costs.

What is Not Covered: Limitations

Premier Mounts disclaims any liability for damage to mounts, adapters, displays, projectors, other property, or personal injury resulting, in whole or in part, from improper installation, modification, use or misuse of its products.

NOTWITHSTANDING ANYTHING TO THE CONTRARY IN THIS WARRANTY, THIS WARRANTY IS LIMITED TO FIVE YEARS FROM THE DATE OF PURCHASE IN THE EVENT THAT THE WARRANTED PRODUCT IS COMMERCIALY RENTED OUT.

Electrical products and components, such as amplifiers, speakers, motors, switches remote controls and related electrical items, are backed by a 3-year warranty.

Premier Mounts disclaims all other warranties, express or implied, including warranties of merchantability and fitness for a particular purpose. Premier Mounts is not responsible for incidental or consequential damages, including but not limited to, inability to use its products or labor costs for removing and replacing defective products or parts. Some states do not allow the exclusion or limitation of incidental or consequential damages, so the above limitation or exclusion may not apply to you.

What Customers Must Do for Warranty Service

If you discover a problem that you think may be covered by the warranty, you must report it in writing to the address below within thirty (30) days. Proof of purchase (an original sales receipt) from the original consumer purchaser must accompany all warranty claims. Warranty claims must also include a description of the problem, the purchaser's name, address, and telephone number. General inquiries can be addressed to Premier Mounts Customer Service at 1-800-368-9700. Warranty claims will not be accepted over the phone or by fax.

PREMIER MOUNTS

ATTN: Warranty Claims

500 W Central Ave, Suite A
Brea, CA 92821

How State Law Applies

This warranty gives you specific legal rights, and you may also have other rights which vary from state to state.

Premier Mounts intends to make this manual accurate and complete. However, Premier Mounts makes no claim that the information contained herein covers all details, conditions or variations, nor does it provide for every possible contingency in connection with the installation or use of this product. The information contained in this document is subject to change without notice or obligation of any kind. Premier Mounts makes no representation of warranty, expressed or implied, regarding the information contained herein. Premier Mounts assumes no responsibility for accuracy, completeness or sufficiency of the information contained in this document.

©PREMIER MOUNTS

500 W Central Ave, Suite A
Brea, CA 92821

USA & CANADA

Phone: 800-368-9700

Fax: 800-832-4888

e. orders@premiermounts.com

