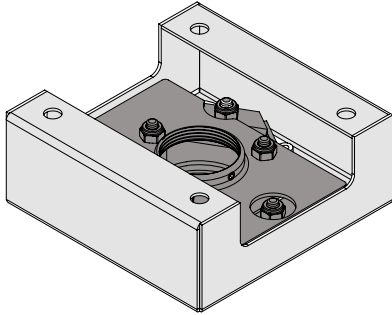


Vibration Reducing Adapter Installation Instructions



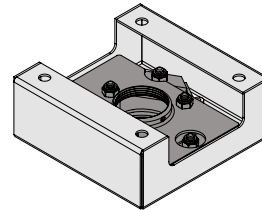
The Vibration Reducing Adapter (PP-VIB) is ideal for education, corporate and any other environment where a stable image is needed. To keep the projector or flat-panel display image steady, the large rubber dampers inside the PP-VIB absorb vibrations near the mount caused by heavy traffic, equipment motors, slamming doors and other activities.

The PP-VIB fits any 1.5" NPT pipe and a ceiling stud, a solid ceiling surface, or Premier Mounts' PP-FCMA ceiling adapter. The maximum weight capacity is 50 lbs.

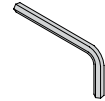


premiermounts.com
 p. 800.368.9700 | e. orders@premiermounts.com
 500 W Central Ave, Suite A, Brea, CA 92821 USA

Parts List



PP-VIB
(Qty 1)



M3 Allen
Wrench (Qty 1)

Installing the PP-VIB

? Are you attaching the PP-VIB to a wood stud, a solid ceiling surface, or Premier Mounts' PP-FCMA ceiling adapter?

If a wood stud, continue to the **"Wood Stud"** section below.

If a solid ceiling surface, go to the **"Solid Ceiling Surface"** section on page 2.

If a PP-FCMA ceiling adapter, go to the **"PP-FCMA Installation"** section on page 2.

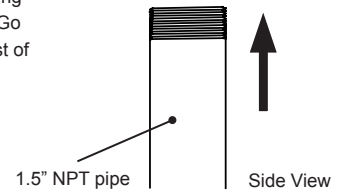
! If you are installing the PP-VIB to an existing installation, you may need to remove the mount and/or 1.5" NPT pipe.

Step 3

Insert either the 1.5" NPT cable access pipe or a 1.5" NPT pipe (not included) into the PP-VIB.



If you are using the cable access pipe, you can also fasten a ceiling or pipe adapter (not included). Go to www.mounts.com to see a list of adapters.

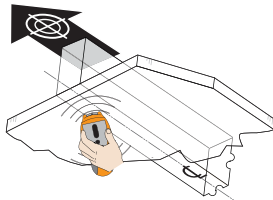


Wood Stud Installation

Step 1

If needed, use an electronic stud finder to locate the center of the desired ceiling wood stud.

! This location is where you will attach the PP-VIB and projector mount.

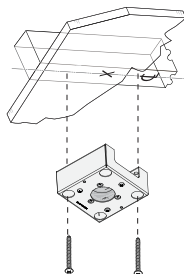


Step 2

Use two (2) 3/8" x 2 1/2" wood screws (not included) to attach the PP-VIB to the wood stud.

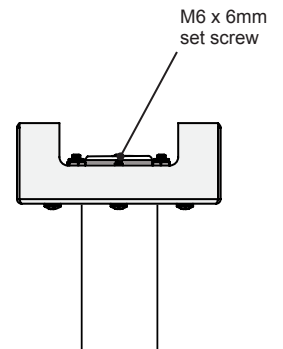
! Angle the PP-VIB so that you can insert two screws through the device and into the wood stud.

! To prevent the stud from splitting, drill pilot holes first using a 1/8" drill bit.



Step 4

Using the M3 Allen wrench, tighten the M6 x 6mm set screw in the PP-VIB to secure the pipe to the device.

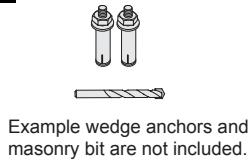


Step 5

Attach the mount to the pipe. Refer to the mount's instructions.

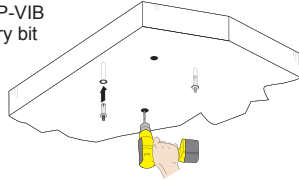
Solid Ceiling Surface Installation

You can mount the PP-VIB to any solid surface ceiling with a minimum 6" thickness. For concrete installation, use concrete wedge anchors (3/8" recommended) to secure the mounting hardware and a masonry drill bit to drill the pilot holes.



Step 1

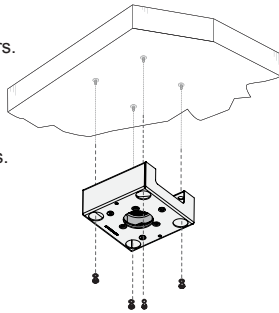
- Drill 4 ceiling mounting holes for the PP-VIB using the appropriate diameter masonry bit for your wedge anchor.
- Remove the nut and washer from the wedge anchors.
- Insert a wedge anchor into each hole.



Drill the holes using the PP-VIB's 4.5" bolt pattern.

Step 2

- Place the PP-VIB over the wedge anchors.
- Thread a wedge anchor nut and washer onto each threaded wedge anchor shaft.

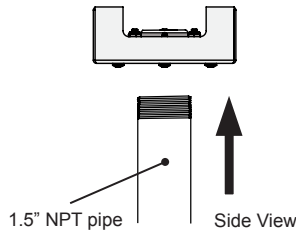


Do not overtighten the wedge anchor nuts.

Step 3

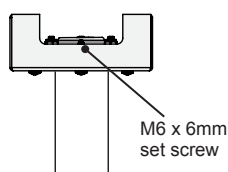
Insert either the 1.5" NPT cable access pipe or a 1.5" NPT pipe (not included) into the PP-VIB.

If you are using the cable access pipe, you can also fasten a ceiling or pipe adapter (not included). Go to www.mounts.com to see a list of adapters.



Step 4

Using the M3 Allen wrench, tighten the M6 x 6mm set screw in the PP-VIB to secure the pipe to the device.



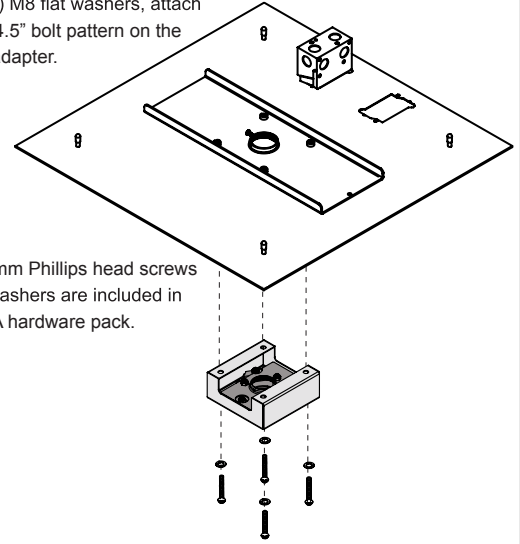
Step 5

Attach the mount to the pipe. Refer to the mount's instructions.

PP-FCMA Installation

Step 1

Using four (4) M8 x 20mm Phillips head screws and four (4) M8 flat washers, attach the PP-VIB to the 4.5" bolt pattern on the PP-FCMA ceiling adapter.

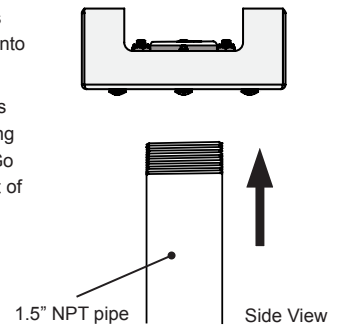


The M8 x 20mm Phillips head screws and M8 flat washers are included in the PP-FCMA hardware pack.

Step 2

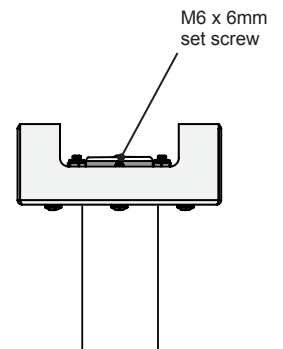
Insert either the 1.5" NPT cable access pipe or a 1.5" NPT pipe (not included) into the PP-VIB.

If you are using the cable access pipe, you can also fasten a ceiling or pipe adapter (not included). Go to www.mounts.com to see a list of adapters.



Step 3

Using the M3 Allen wrench, tighten the M6 x 6mm set screw in the PP-VIB to secure the pipe to the device.



Step 4

Attach the mount to the pipe. Refer to the mount's instructions.