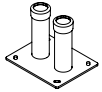




# PSD-DPAB Installation Guide



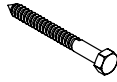
x1

Base



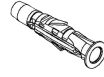
x4

5/16" Washers



x4

5/16" x 3"  
Lag bolts



x4

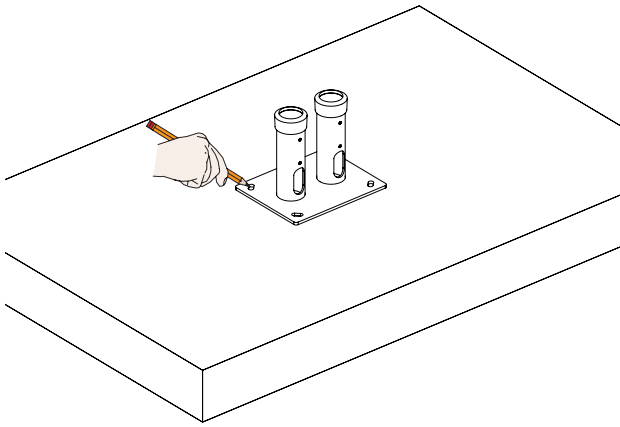
Finned Anchor



x1

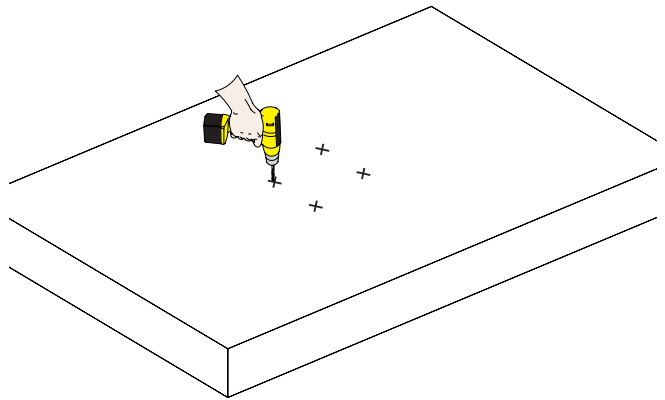
5/32" Allen Key

1



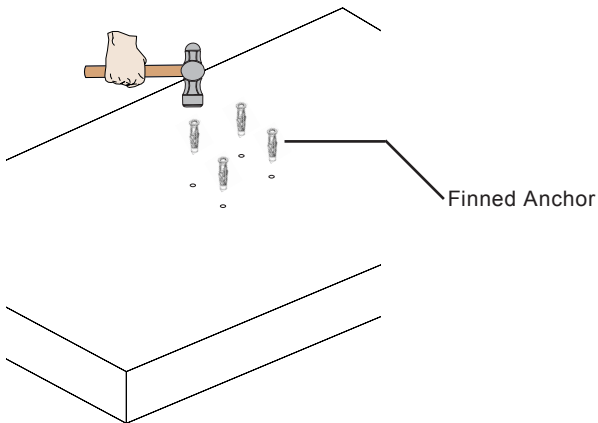
Find your desired mounting location. Use a pencil and mark 4 mounting holes locations through the slots.

2



Use a drill gun and a 3/8" concrete drill bit on mark locations.

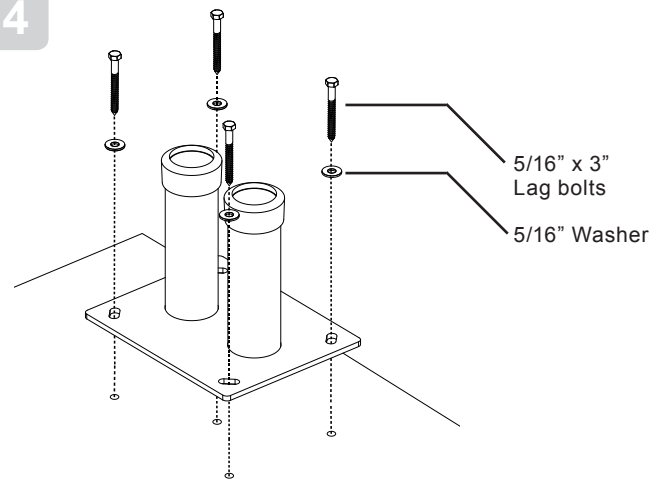
3



Finned Anchor

Lightly hammer the finned anchors into the holes.

4



5/16" x 3"  
Lag bolts

5/16" Washer

Place the base over the finned anchors and use one 5/16" x 3" lag bolt and 5/16" washer per hole.



# PSD-DPAB Installation Guide

