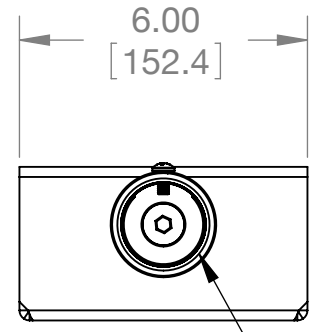
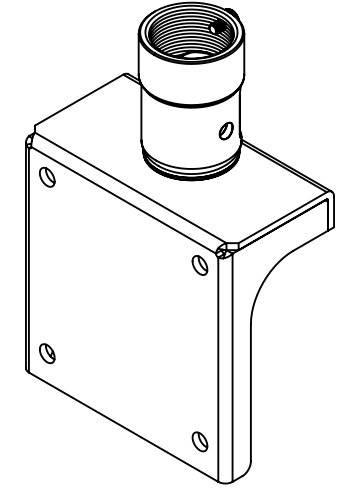
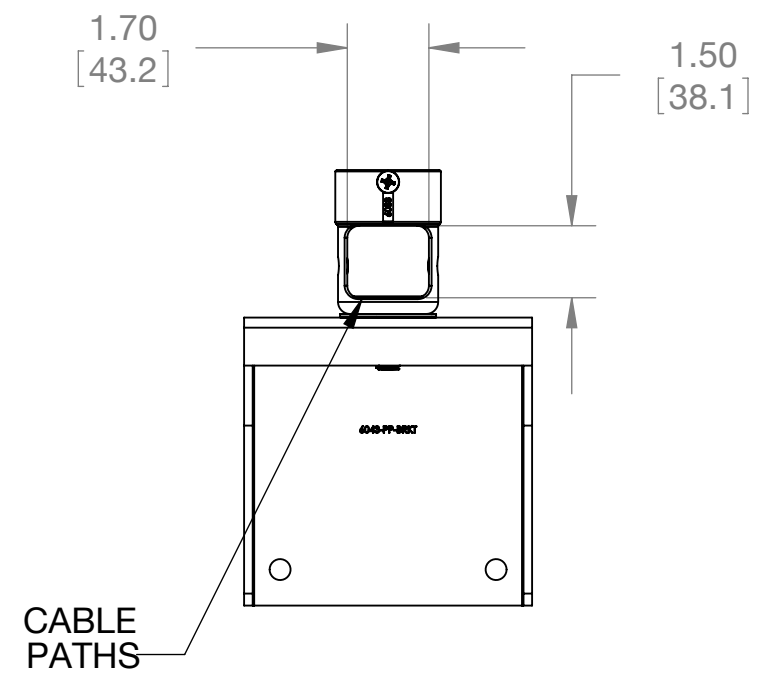
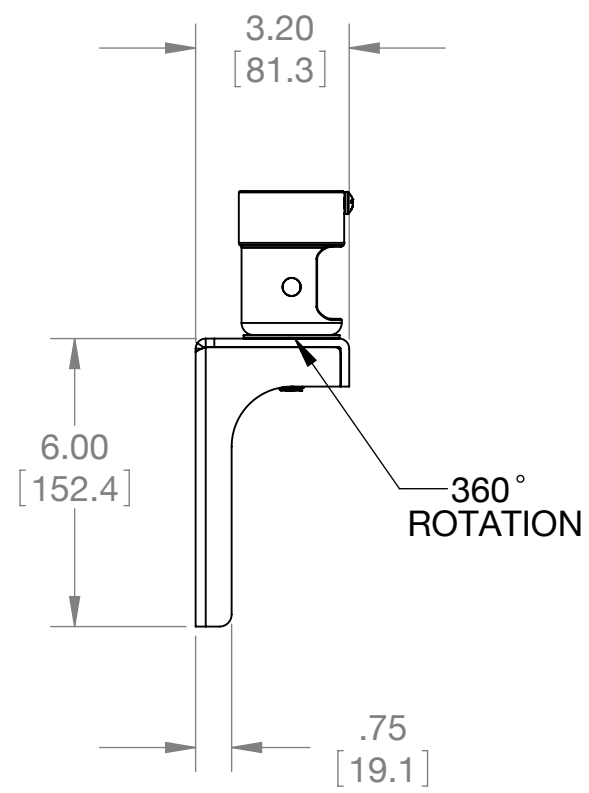
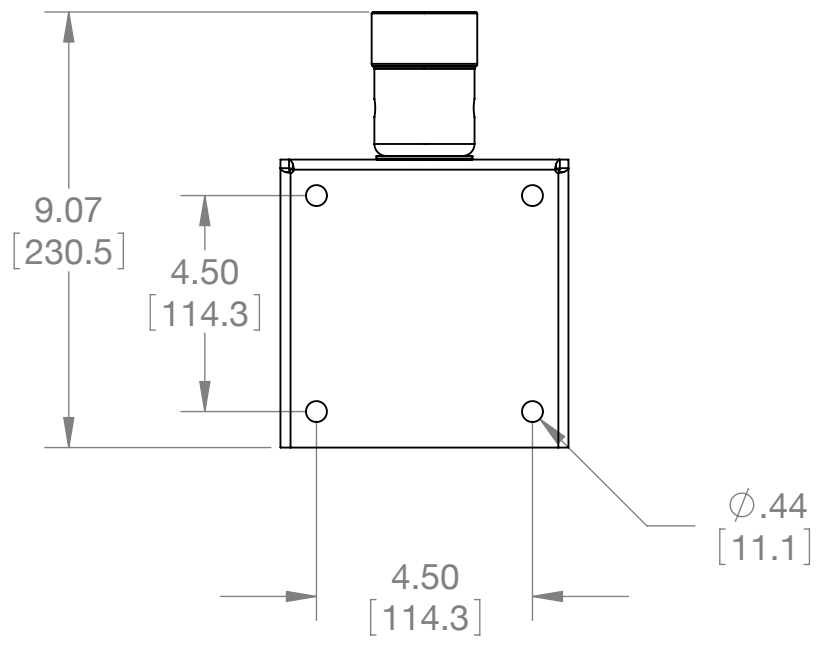


8 7 6 5 4 3 2 1

THE INFORMATION CONTAINED IN THIS DRAWING IS THE SOLE PROPERTY OF PREMIER MOUNTS DIVISION OF <PMPI> ANY REPRODUCTION IN PART OR WHOLE WITHOUT THE WRITTEN PERMISSION OF PREMIER MOUNTS DIVISION OF <PMPI> IS PROHIBITED.



1.5" NPT PIPE THREADS



**PM**  
PREMIER MOUNTS

**PREMIER MOUNTS**  
500 W Central Ave, Suite A  
Brea, CA 92821

ITEM DESCRIPTION:  
**SINGLE DISPLAY ADAPTER WITH 1.5" SWIVEL COUPLER**

SIZE: B DWG. NO.: **PSD-S**

SCALE: 1:4 SHEET 1 OF 1

WEIGHT CAPACITY: 160 LBS  
DIMENSION ARE IN INCH AND [MM]