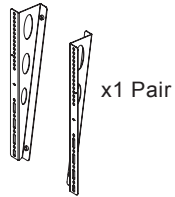
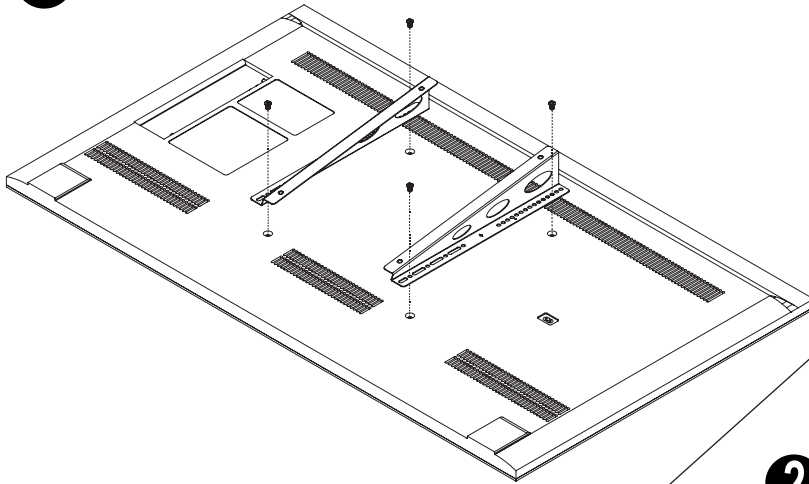




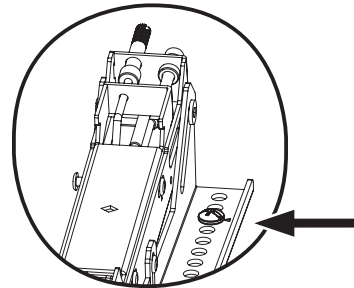
SYM-DB-TA Installation Guide



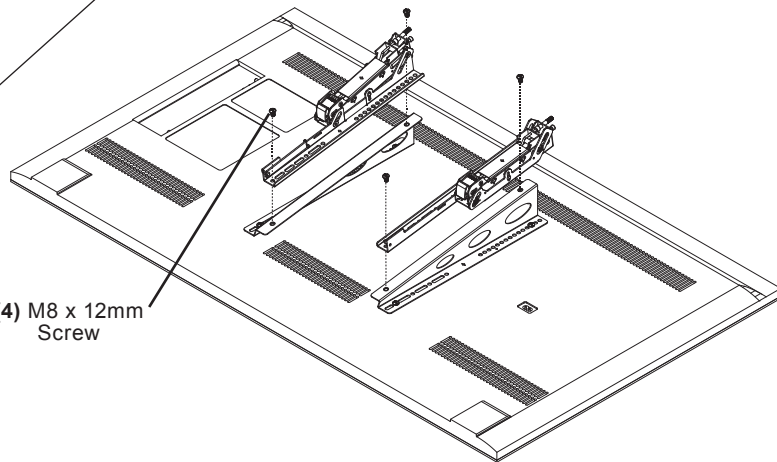
1



2



(4) M8 x 12mm
Screw



9531-000-040-0X_0