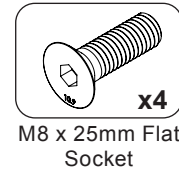
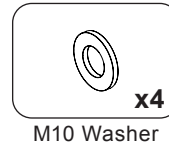
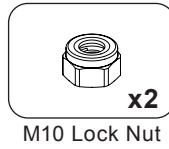
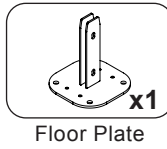


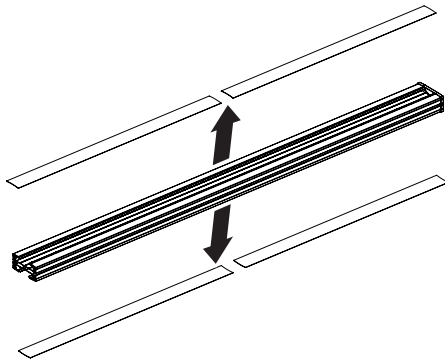


SYM-UR-FFA Installation Guide

INCLUDES:

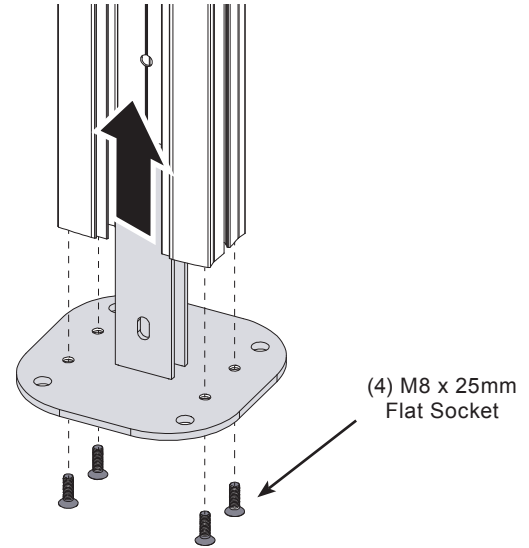


1

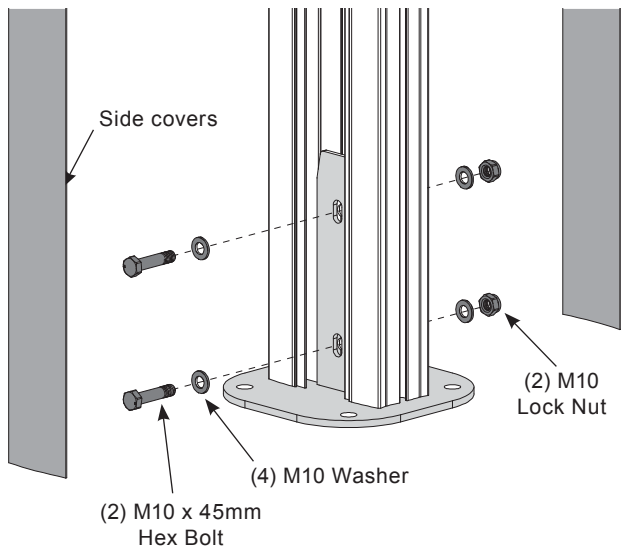


Remove the side strips from the extrusion upright bar.

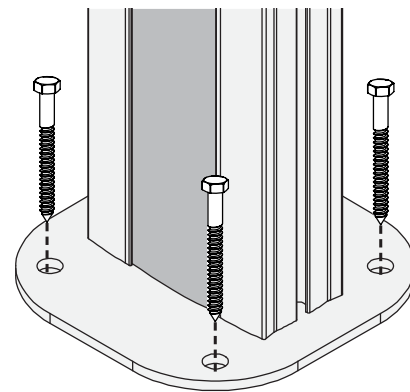
2



3



4



Anchor the base to a leveled floor using commercially available hardware.

