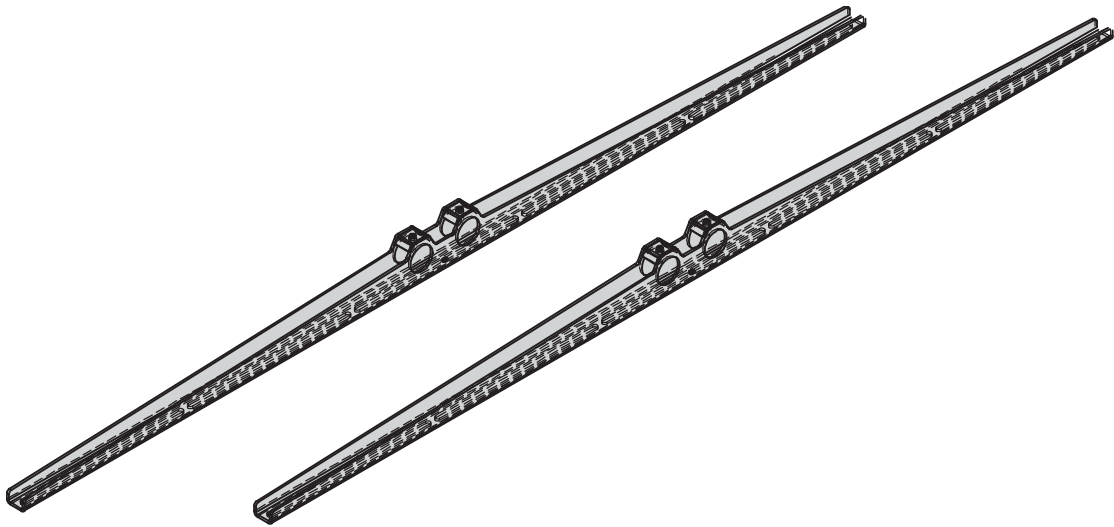




INSTALLATION MANUAL



UFA-XL Universal Flat Multiple Monitor Dual-Pole Mount (37" - 55") NORTH AMERICA

©PREMIER MOUNTS
500 W Central Ave, Suite A
Brea, CA 92821

USA & CANADA
Phone: 800-368-9700
Fax: 800-832-4888

9531-018-031-01

Table of Contents

WARNING STATEMENTS	- 2 -
PARTS LIST	- 3 -
INSTALLATION TOOLS	- 3 -
MOUNTING HARDWARE	- 4 -
THREAD DEPTH INDICATOR	- 5 -
SUPPORT TUBE INSTALLATION	- 6 -
ATTACHING THE UFA-XL MOUNTING BRACKETS	- 6 -
ADJUSTING THE UFA-XL MOUNTING BRACKETS	- 8 -
WARRANTY	- 8 -
TECHNICAL SPECIFICATIONS	- 9 -

Warning Statements

WARNING: PREMIER MOUNTS DOES NOT WARRANT AGAINST DAMAGE CAUSED BY THE USE OF ANY PREMIER MOUNTS PRODUCT FOR PURPOSES OTHER THAN THOSE FOR WHICH IT WAS DESIGNED OR DAMAGE CAUSED BY UNAUTHORIZED ATTACHMENTS OR MODIFICATIONS, AND IS NOT RESPONSIBLE FOR ANY DAMAGES, CLAIMS, DEMANDS, SUITS, ACTIONS OR CAUSES OF ACTION OF WHATEVER KIND RESULTING FROM, ARISING OUT OF OR IN ANY MANNER RELATING TO ANY SUCH USE, ATTACHMENTS OR MODIFICATIONS.

WARNING: THE FLOOR STRUCTURE MUST BE CAPABLE OF SUPPORTING AT LEAST 320 LBS. IF NOT, THE FLOOR STRUCTURE MUST BE REINFORCED. PROPER INSTALLATION PROCEDURE BY A QUALIFIED SERVICE TECHNICIAN, AS OUTLINED IN THE INSTALLATION INSTRUCTIONS, MUST BE ADHERED TO. FAILURE TO DO SO COULD RESULT IN SERIOUS PERSONAL INJURY, OR EVEN DEATH. THE MAXIMUM WEIGHT THAT CAN BE USED WITH THIS MOUNT IS 160 LBS. IF THIS WEIGHT IS EXCEEDED, DAMAGE TO THE MOUNT AND/OR UNIT MAY OCCUR.

WARNING: SAFETY MEASURES MUST BE PRACTICED AT ALL TIMES DURING THE ASSEMBLY OF THIS PRODUCT. USE PROPER SAFETY GEAR AND TOOLS FOR THE ASSEMBLY PROCEDURE TO PREVENT PERSONAL INJURY.

WARNING: PRIOR TO THE INSTALLATION OF THIS PRODUCT, THE ASSEMBLY INSTRUCTIONS SHOULD BE READ AND COMPLETELY UNDERSTOOD. THE ASSEMBLY INSTRUCTIONS MUST BE READ TO PREVENT PERSONAL INJURY AND PROPERTY DAMAGE. KEEP THESE ASSEMBLY INSTRUCTIONS IN AN EASILY ACCESSIBLE LOCATION FOR FUTURE REFERENCE.



Indicates that the power plug is to be disconnected from the power outlet.



Contact Premier Mounts with any questions.



Safety precautions must be taken at all times.



Warning and Caution statements.



Do not install on a structure that is prone to vibration, movement or chance of impact. Failure to do so could result in damage to the plasma display and/or damage to the mounting surface.



Do not install near heater, fireplace, direct sunlight, air conditioning or any other source of direct heat energy. Failure to do so may result in damage to the display and could increase the risk of fire.



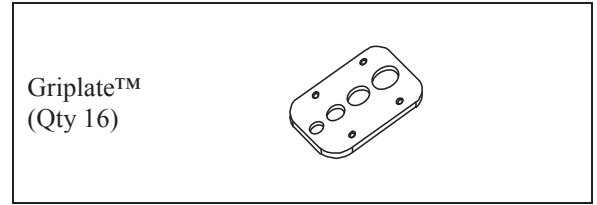
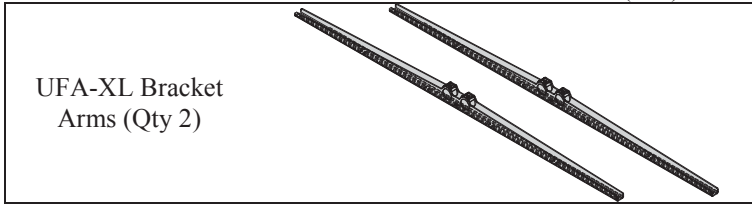
At least two qualified people should perform the assembly procedure. Injury and/or damage can result from dropping or mishandling the display.



WARNING WHEN USING THE PSD-BWL NESTING CART, DO NOT ATTACH EQUIPMENT WEIGHING MORE THAN 75LBS. ABOVE THE 60" MARKED LINE ON THE SUPPORT POLES. DOING SO MAY CAUSE THE NESTING CART TO TIP OVER, RESULTING IN SEVERE PROPERTY DAMAGE AND/OR PERSONAL INJURY.

Parts List*

NOTE: The UFA-XL Universal Flat Multiple Monitor Dual-Pole Mount is shipped with all proper installation hardware and components. Verify parts before beginning installation. If there are parts missing and/or damaged, please stop the installation and contact Premier Mounts at (800) 368-9700.



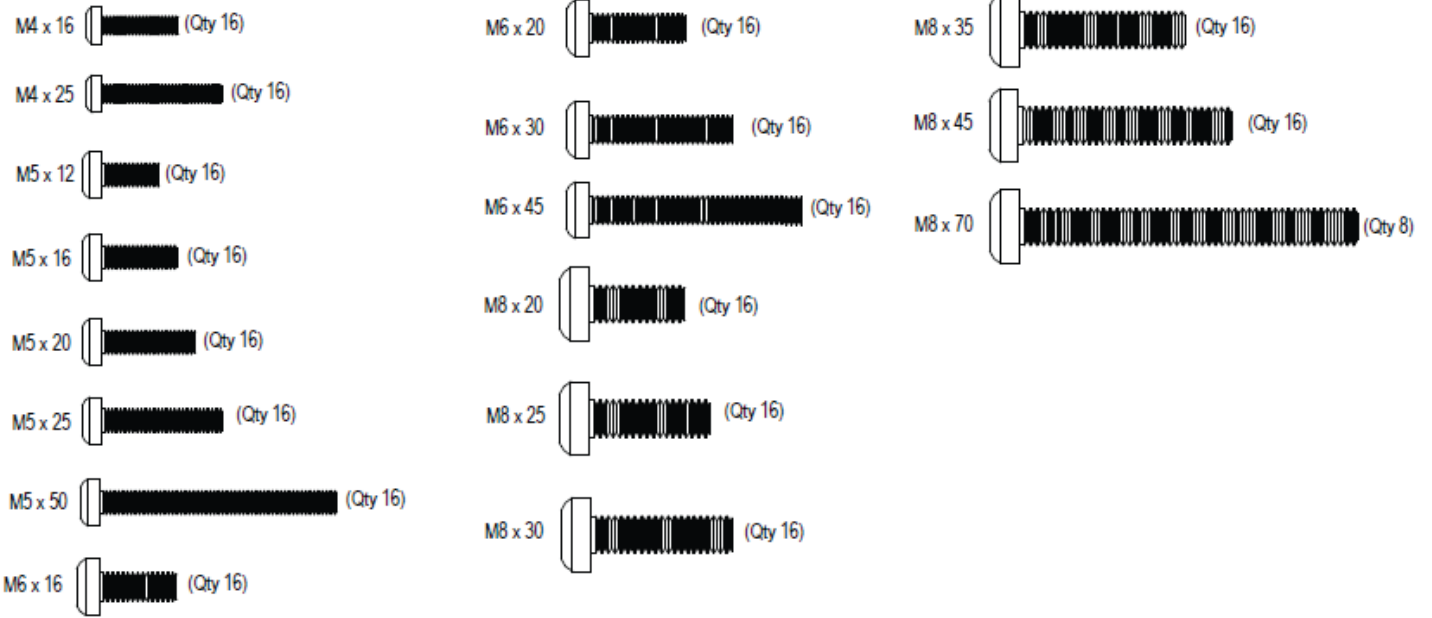
* Parts List in continued on Page 4.

Installation Tools

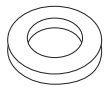
5/32" Allen Wrench (Supplied)
Level (Supplied)

Thread Depth Indicator (Supplied)

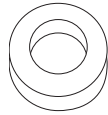
Mounting Hardware



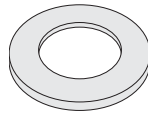
NOTE: The nylon spacers may be stacked to achieve proper spacing.



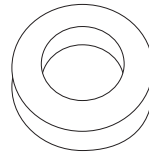
1/4" Nylon spacers (small) (Qty 16)



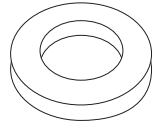
1" Nylon spaces (Qty 16)



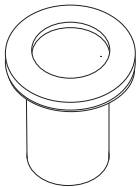
5/16" Flat washers (metal) (Qty 16)



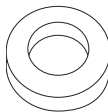
1/2" Nylon spacers (large) (24)



1/4" Nylon spacers (large) (Qty 16)



Nylon sleeves (Qty 16)



9/16" Nylon spacers (Qty 16)

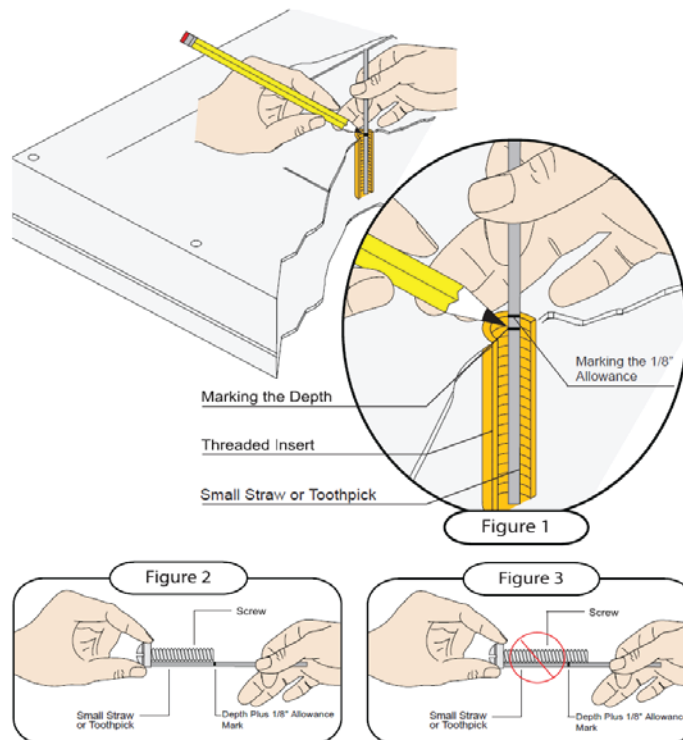
Thread Depth Indicator

- Step 1.** Insert a depth measuring straw (included) or toothpick into the threaded inserts found on the back of the flat panel.
- Step 2.** Use a pencil to mark the depth of the threaded insert on the small straw or toothpick.
- Step 3.** Mark the straw or toothpick 1/8" above the depth of the threaded insert, as shown in Figure 1.
- Step 4.** Insert the small straw or toothpick into the remaining threaded inserts to compare and verify their depth using the straw or toothpick's 1/8" allowance mark.
- Step 5.** Locate the correct diameter screw for the threaded insert.



If the screw you selected is longer than the 1/8" allowance mark on the small straw or toothpick, as shown in Figure 2 and Figure 3, do not use this screw. The screw length must not bypass the mark.

- Step 6.** Test each size of the screws provided. The correct screws should thread easily into the mounting point and not pull out when tension is applied.



Support Tube Installation

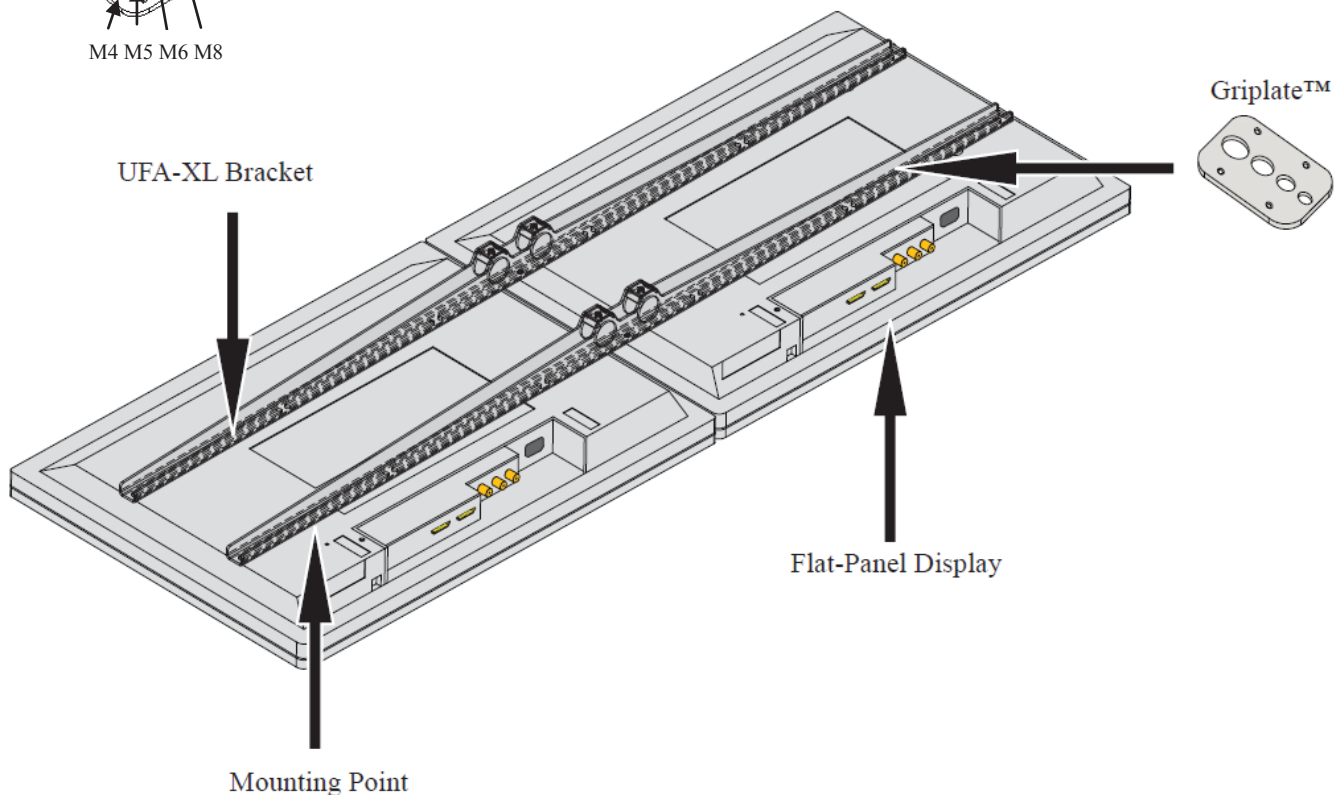
NOTE: Please refer to the base installation instructions for the assembly of the base and the support tubes. The support tubes and base must already be assembled.

NOTE: If the optional shelf has been purchased, the shelf must be attached prior to attaching the UFA-XL bracket arms. Please refer to the shelf installation instructions. When working with the shelf, take precautions not to scratch it.

Attaching the UFA-XL Mounting Brackets

1. Place the displays side by side on a soft, flat surface. Locate the mounting points that are located on the back of the two displays.
2. Once the mounting points are located, place the UFA-XL bracket arms horizontally over their mounting points.
3. Center the mounting bracket arm on the back of the display.
NOTE: Please refer to 'Thread Depth Indicator' on Page 5 to determine the correct hardware.
4. Once the desired position has been determined, place the Griplates™ over each mounting point (flat side down) and secure them using the appropriate hardware (see Page 4).
5. At this time, center the UFA-XL mounting brackets on the display and tighten the mounting screws.

Nipples Facing Up



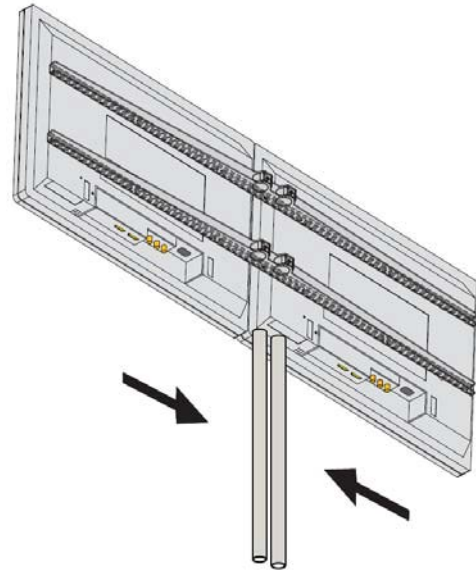
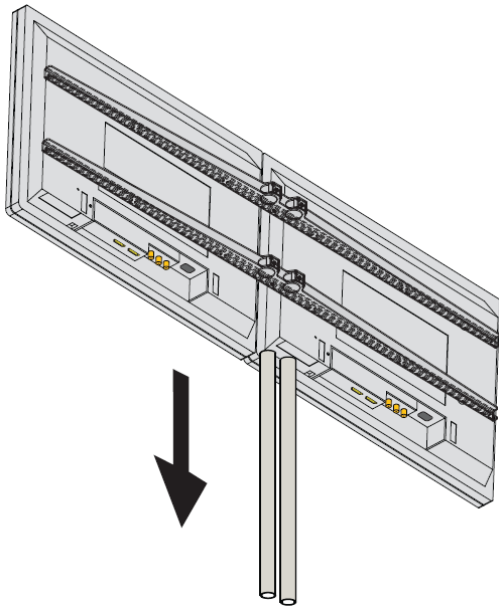
Installing the Display on the Support Tubes

Attaching the Upper UFA-XL Mounting Bracket



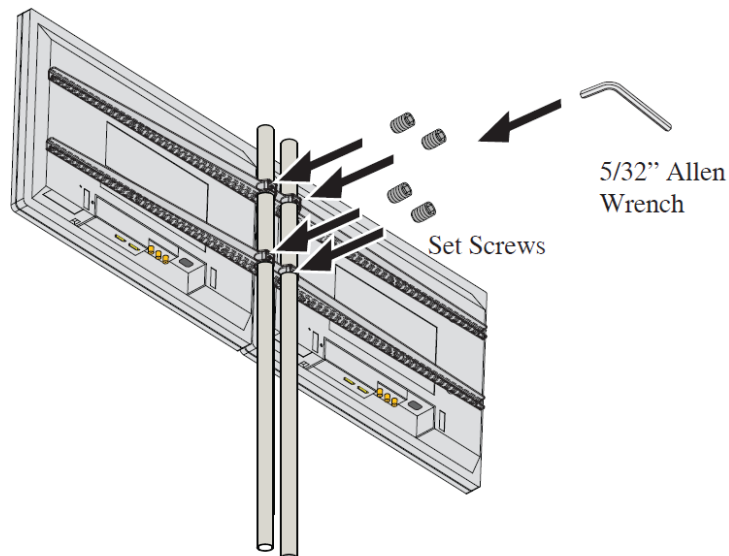
WARNING:

THE FOLLOWING STEPS MAY BE PERFORMED BY THREE PEOPLE. FAILURE TO DO SO WILL RESULT IN PHYSICAL DAMAGE TO THE DISPLAY AND/OR THE PERSONNEL PERFORMING THESE STEPS.



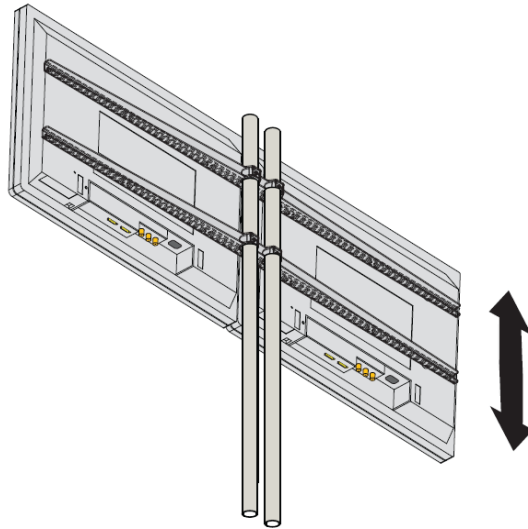
1. Have two people, one on each side, pick up the displays.
2. Align the UFA-XL brackets above the two support tubes and lower the unit down.

NOTE: In some cases, the support tubes will not voluntarily align with the upper UFA-XL mounting brackets. In these cases, the third person must squeeze, or spread, the support tubes together. When the holes and the support tubes are aligned, lower the unit down onto the support tubes.



3. After the appropriate height has been determined, use the 5/32" Allen wrench (supplied) to tighten the set screws on the mounting brackets.

Adjusting the UFA-XL Mounting Brackets



WARNING: THREE PEOPLE MUST PERFORM THE FOLLOWING STEP: TWO PEOPLE TO HOLD THE DISPLAY AND ONE TO TIGHTEN/LOOSEN THE SET SCREWS.

- To adjust the overall height of the unit, loosen the set screws that are located on the upper and lower UFA-XL brackets. Tighten the set screws down when the adjustment is complete.

Warranty

Limited Lifetime Warranty

What and Who is Covered by this Limited Warranty and for How Long

Premier Mounts warrants this product to be free from defects in material and workmanship for the lifetime of the original owner of this product. The limited warranty is only valid for the original purchaser of the product.

What Premier Mounts Will Do

At the sole option of Premier Mounts, Premier Mounts will repair or replace any product or product part that is defective. If Premier Mounts chooses to replace a defective product or part, a replacement product or part will be shipped to you at no extra charge, but you must pay any labor cost.

What is Not Covered; Limitations

Premier Mounts disclaims any liability for damage to mounts, adapters, displays, projectors, other property, or personal injury resulting from, in whole or in part, from improper installation, modification, use or misuse of its products. Premier Mounts disclaims all other warranties express or implied, warranties of merchantability and fitness for a particular purpose. Premier Mounts is not responsible for incidental or consequential damages, including but not limited to, inability to use its products or labor costs for removing and replacing defective products or parts. Some states do not allow the exclusion or limitation of incidental or consequential damages, so the above limitation or exclusion may not apply to you.

WHAT CUSTOMERS MUST DO FOR LIMITED SERVICE WARRANTY

If you discover a problem that you think may be covered by the warranty you must report it in writing to the address below within thirty (30) days. Proof of Purchase (an original sales receipt) from the original consumer purchaser must accompany all warranty claims. Warranty claims must also include a description of the problem, the purchasers name, address, and telephone number. General inquiries may be addressed to Premier Mounts Customer Service Department at 1-800-368-9700. Warranty claims will not be accepted over the phone or by fax.

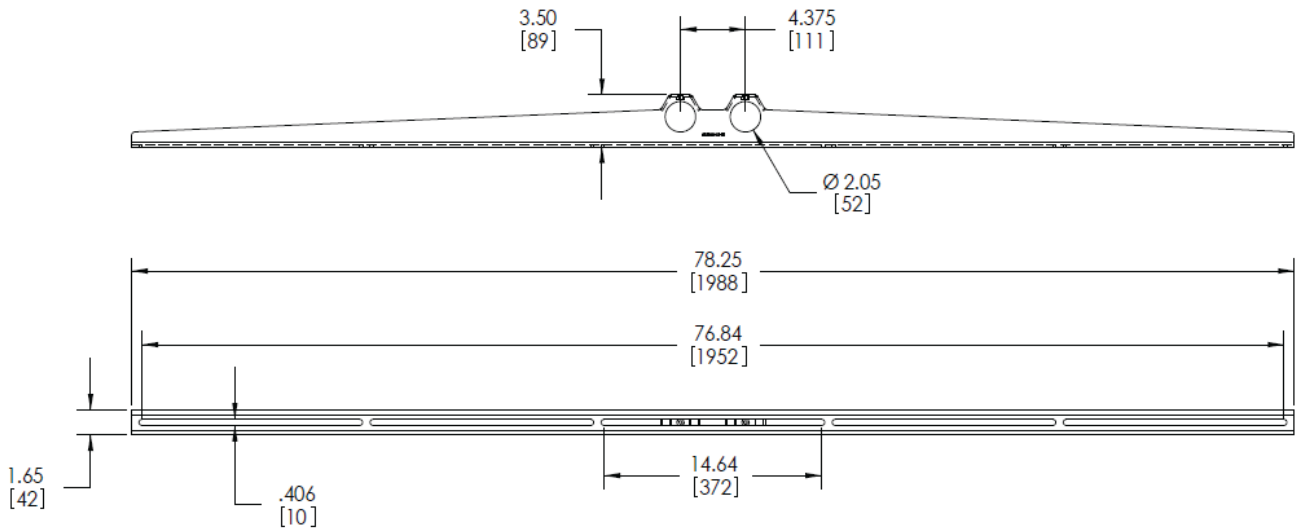
Premier Mounts
 ATTN: Warranty Claim
 3130 E. Miraloma Ave.
 Anaheim, CA 92806

How State Law Applies

This warranty gives you specific legal rights, and you may also have other rights which vary from state to state.

Technical Specifications

All measurements are in inches (mm).



©PREMIER MOUNTS
500 W Central Ave, Suite A
Brea, CA 92821

USA & CANADA
Phone: 800-368-9700
Fax: 800-832-4888

9531-018-031-01

