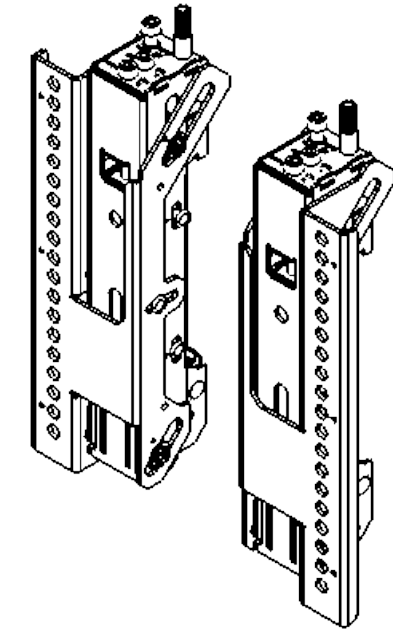
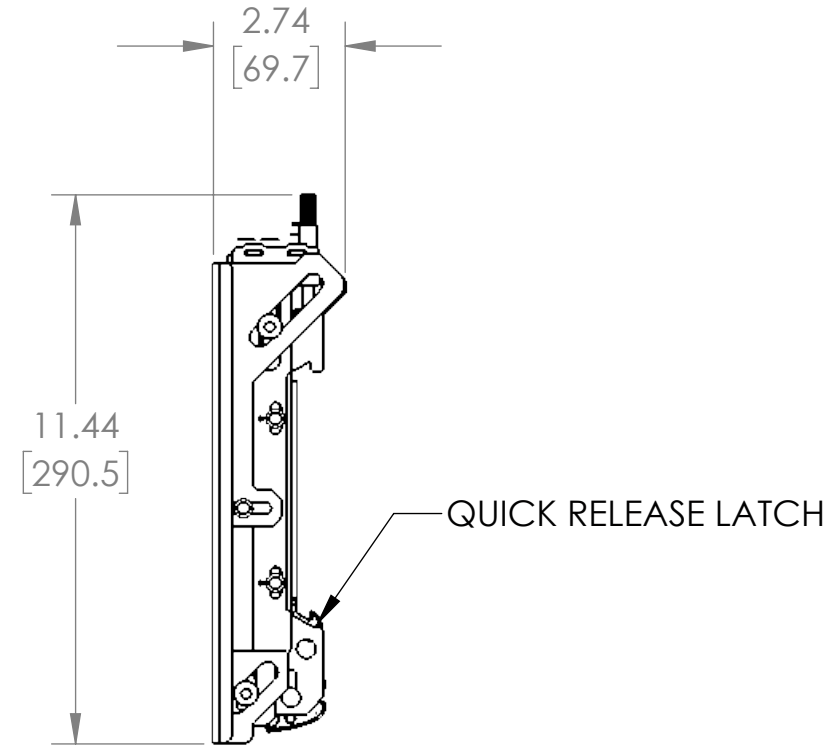
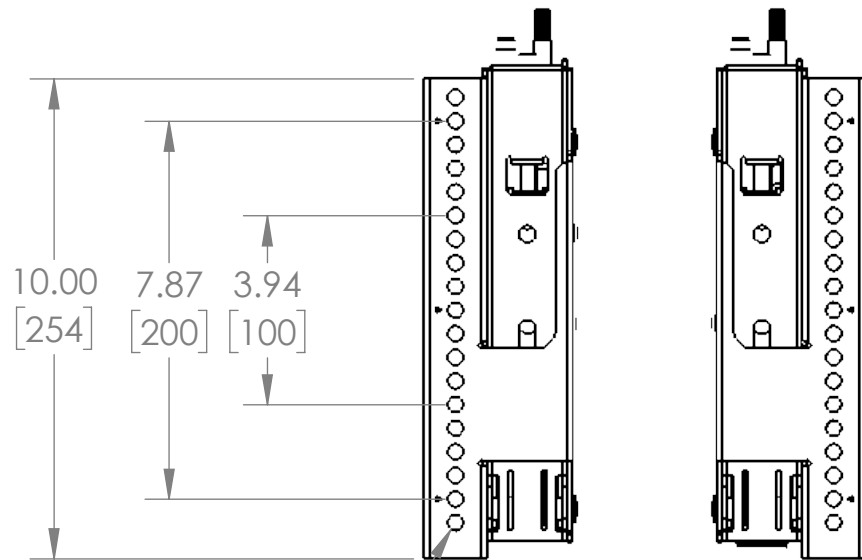


DETAIL A
SCALE 1 : 2



LEFT BRACKET

RIGHT BRACKET



Ø .323
[8.2]

FINE TUNE ADJUSTMENTS

- HORIZONTAL ADJUSTMENT: +/- 5 MM
- DEPTH ADJUSTMENT: +/- 5 MM
- TILT ADJUSTMENT: -3° / +7°
- SERVICE POSITION: 9° TILT SERVICE

WEIGHT CAPACITY: 176 LBS

DESCRIPTION:
DISPLAY BRACKETS WITH FINE TUNE
ADJUSTMENTS (SHORT)

PART NO. SYM-DB-FTS

MAX. WEIGHT CAPACITY	DIMENSION ARE IN	SCALE:	SHEET
LB.	INCH AND [MM]	1:4	1 OF 1

**PREMIER
MOUNTS**