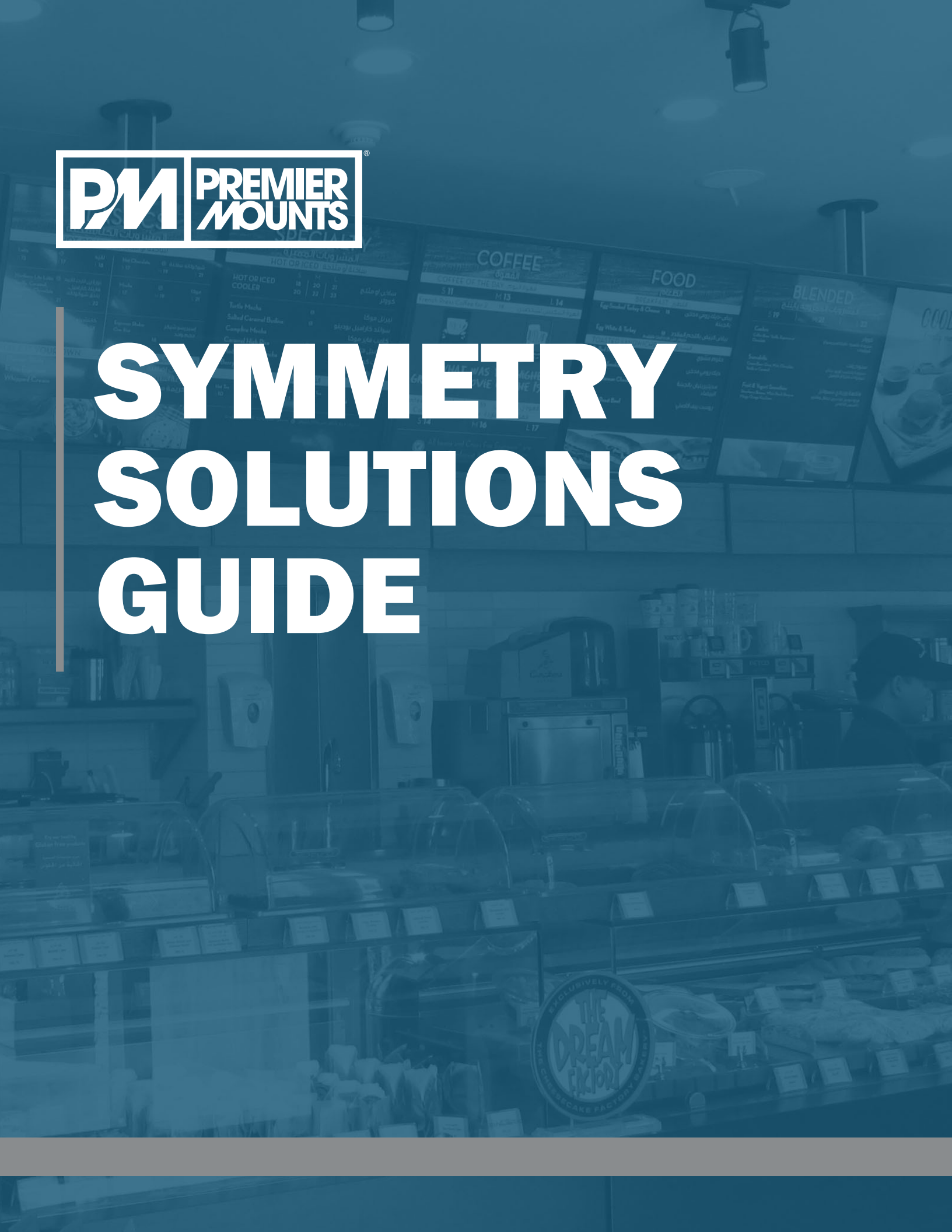




SYMMETRY SOLUTIONS GUIDE



UNLIMITED POSSIBILITIES

Take your video wall projects to new heights with Premier Mounts' Symmetry Series! This fully configurable video wall mounting system provides flexibility to mount displays to walls, ceilings, fixed stands, and mobile carts in a variety of environments. It's only limitations are your imagination!

RUGGED

We utilize heavy-duty, well-manufactured products to create robust mounts that offer the best durability and ease of installation in the industry.

RELIABLE

All of our Symmetry Series products go through rigorous quality assurance testing and have a limited lifetime warranty.

RESPONSIVE

From the moment we pick up the phone and even after the product is received, we are quick to respond and always available to assist.

STRENGTH IN SYMMETRY

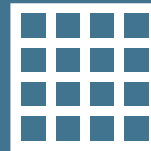
Building a linear display and need multiple screens to convey information effectively? The solution is Symmetry! With only a few standard components you can create solutions for almost every application. From single display solutions to complex, such as back-to-back, side-by-side, floor to ceiling and various video wall arrays!

SOLVE WITH SYMMETRY



AIRPORT & TRANSPORTATION

Create a Premier travel experience for your guests and customers with large scale, directive displays. There never can be enough clear visual information when navigating busy terminals and with Symmetry, that communication is simplified!



DIGITAL SIGNAGE

Seeing is believing, right? Sharing images of delicious food or advertising your must-have offerings to the world is a surefire way to increase sales. Go big with Symmetry's scalable versatility and make your statement!



HOSPITALITY

Whether you're mounting menu boards, digital advertising displays or ensuring every game's biggest moments aren't missed in your space, Symmetry helps ensure your customer's visual senses are sure to be heightened by your digital presence!



COMMAND & CONTROL CENTERS

Supporting your command center display mounting needs to ensure safety for all, is our greatest focus. Symmetry's unlimited configurations provide you with unlimited vision!



EVENT & ENTERTAINMENT VENUES

Transform your entertainment space into a visual paradise! Designed for immersive entertainment setups, our Symmetry combines style, functionality, and versatility to deliver an unparalleled viewing experience for all to enjoy!



LIMITLESS POSSIBILITIES

From retail to restaurants and education to office spaces, Symmetry supports dynamic visual experiences unlike any other! Captivate customers', guests', students' and teams' attention and take your visual impact to new heights!

THE OVERVIEW

- WALL, CEILING & UPRIGHT DISPLAY SOLUTIONS
- TURNKEY KITS & FULLY CONFIGURABLE COMPONENTS TO FIT YOUR NEEDS
- LIGHTWEIGHT ALUMINUM DESIGN
- NEXT-LEVEL VERSATILITY GREAT FOR ENDLESS APPLICATIONS



SIMPLIFY IT VIDEO WALL MOUNTING KITS

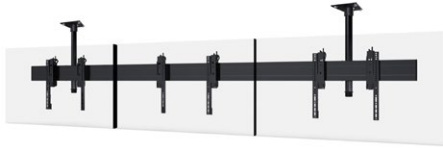

Have a video wall or ceiling mount display project and looking to simplify your ordering process? Our Symmetry Video Wall Mounting Kits are the perfect solution! We're proud to offer wall-mounted and ceiling-mounted applications in both 2x1 and 3x1 scalable configurations. Take your space to new heights and experience the unparalleled strength, versatility and simplicity of Symmetry!

2 X 1 MOUNTING KITS		
ARRAY	CEILING 2 x 1 Mount Kit	WALL 2 x 1 Mount Kit
PRODUCT IMAGE	<p>*Ceiling Support & Ceiling Pipe Sold Separately</p>	
PART #	7170-1073	7170-1074
COLOR	Black	Black
WEIGHT RATING	353lbs. 160kg	353lbs. 160kg
WIDTH (in./mm)	74.8" 1915mm	74.8" 1915mm
HEIGHT (in./mm)	19.07" 484.37mm	19.07" 484.37mm
DEPTH (in./mm)	7.62" 193.5mm	3.07" 77.97mm
MIN HORIZONTAL HOLE PATTERN	100mm	100mm
MAX HORIZONTAL HOLE PATTERN	1850mm	1850mm

*Ceiling Support & Ceiling Pipe Sold Separately

SIMPLIFY IT **VIDEO WALL MOUNTING KITS**

3 X 1 MOUNTING KITS





ARRAY	CEILING 3 x 1 Mount Kit	WALL 3 x 1 Mount Kit
PRODUCT IMAGE	 <p>*Ceiling Support & Ceiling Pipe Sold Separately</p>	
PART #	7170-1075	7170-1076
COLOR	Black	Black
WEIGHT RATING	525lbs. 238kg	525lbs. 238kg
WIDTH (in./mm)	108.27" 2750mm	108.27" 2750mm
HEIGHT (in./mm)	19.07" 484.37mm	19.07" 484.37mm
DEPTH (in./mm)	7.62" 193.5mm	3.07" 77.97mm
MIN HORIZONTAL HOLE PATTERN	100mm	100mm
MAX HORIZONTAL HOLE PATTERN	3250mm	3250mm





*Ceiling Support & Ceiling Pipe Sold Separately



HOW-TO CONFIGURE YOUR OWN VIDEO WALL SOLUTION

From start to finish, we've got you covered! Below are 4 easy steps to configuring your video wall mount.

STEP 1	STEP 2	STEP 3	STEP 4
			
<p>Select display brackets based on display's VESA pattern</p>	<p>Select an Interface Bar that fits displays being mounted</p>	<p>Select hardware based on Application (Wall, Floor, Ceiling)</p>	<p>Choose your Accessories</p>

WALL MOUNTED CONFIGURATION EXAMPLE			
ARRAY	4 x 2 Wall Mounted		
ASSEMBLED PRODUCT IMAGE			
IMAGES OF PARTS REQUIRED			
PART #'s	QTY(4) SYM-IB-108B	QTY(2) SYM-IB-EXT	QTY(8) SYM-DB-FT
WEIGHT RATING	175lbs. 80kg per Display		

SOLVE WITH SYMMETRY



FIXED STAND CONFIGURATION EXAMPLE

ARRAY	2 x 2 Fixed Stand		
ASSEMBLED PRODUCT IMAGE			
IMAGES OF PARTS REQUIRED			
PART #'s	QTY(2) SYM-UR-80B	QTY(2) SYM-UR-FFA	KIT QTY(2) 7170-1074
WEIGHT RATING	175lbs. 80kg per Display		

MOBILE CART CONFIGURATION EXAMPLE

ARRAY	2 x 2 Mobile Cart				
ASSEMBLED PRODUCT IMAGE					
IMAGES OF PARTS REQUIRED					
PART #'s	QTY(2) SYM-UR-80B	QTY(2) SYM-UR-FSB	KIT QTY(2) 7170-1074	QTY(2) SYM-UR-CAST	QTY(1) SYM-UR-CS-46
WEIGHT RATING	175lbs. 80kg per Display				

SYMMETRY @ GOOGLE HQ



CEILING MOUNTED CONFIGURATION EXAMPLE

ARRAY	2 x 2 Ceiling Mounted			
ASSEMBLED PRODUCT IMAGE				
IMAGES OF PARTS REQUIRED				
PART #'s	QTY(2) PP-5A	QTY(2) APP-XXXX or	QTY(2) PWH-XX	QTY(2) 7170-1073
WEIGHT RATING	175lbs. 80kg per Display			

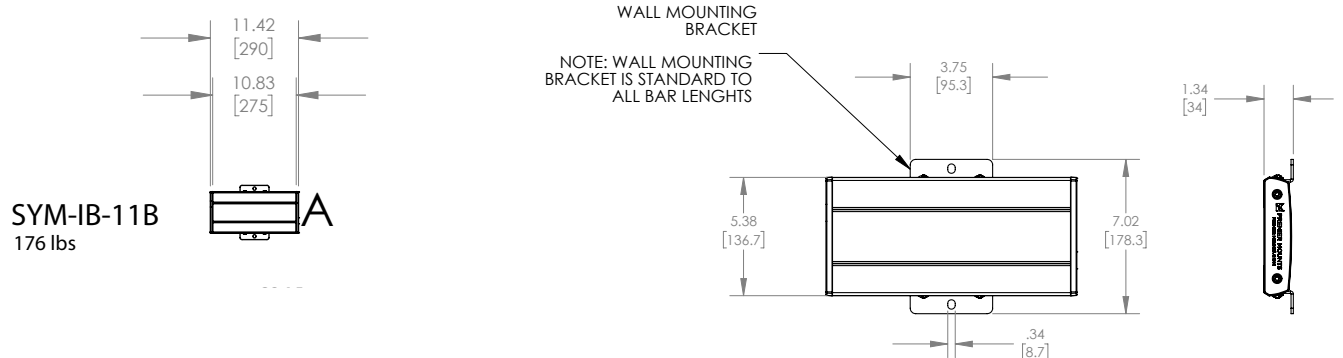
INDIVIDUAL COMPONENTS

BUILD YOUR OWN VIDEO WALL SOLUTION

DISPLAY INTERFACE BARS

	PART #	COLOR	WEIGHT RATING (lbs./kg)	WIDTH (in./mm)	HEIGHT (in./mm)	DEPTH (in./mm)	MIN HZTL HOLE PAT	MAX HZTL HOLE PAT
	SYM-IB-11B	Black	176lbs. 79kg	11.42" 290mm	7.02" 178.3mm	1.34" 34mm	100mm	225mm


DIMENSIONAL DRAWING



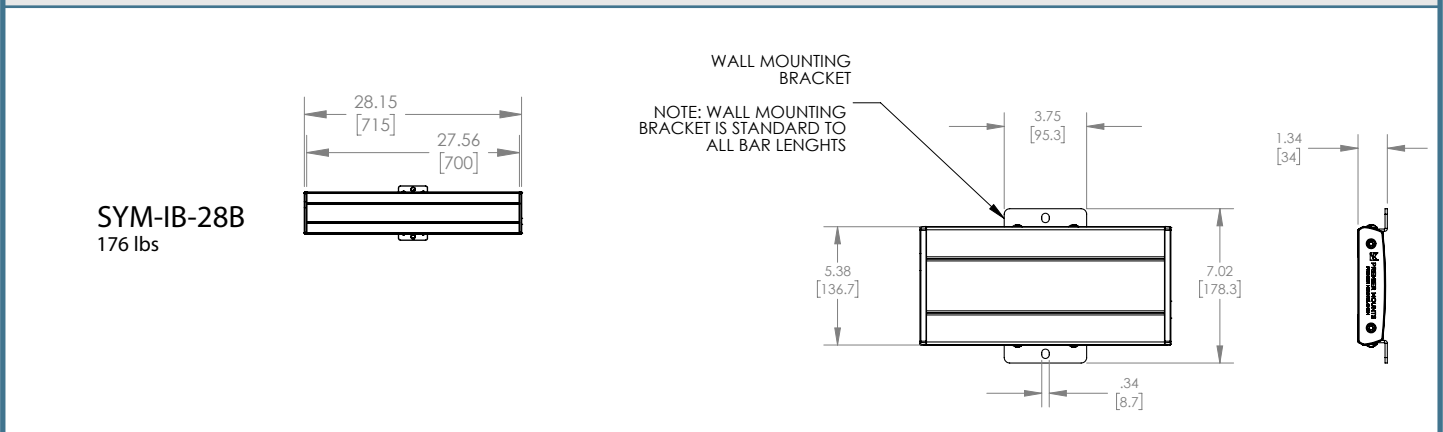
INDIVIDUAL COMPONENTS


BUILD YOUR OWN VIDEO WALL SOLUTION

DISPLAY INTERFACE BARS

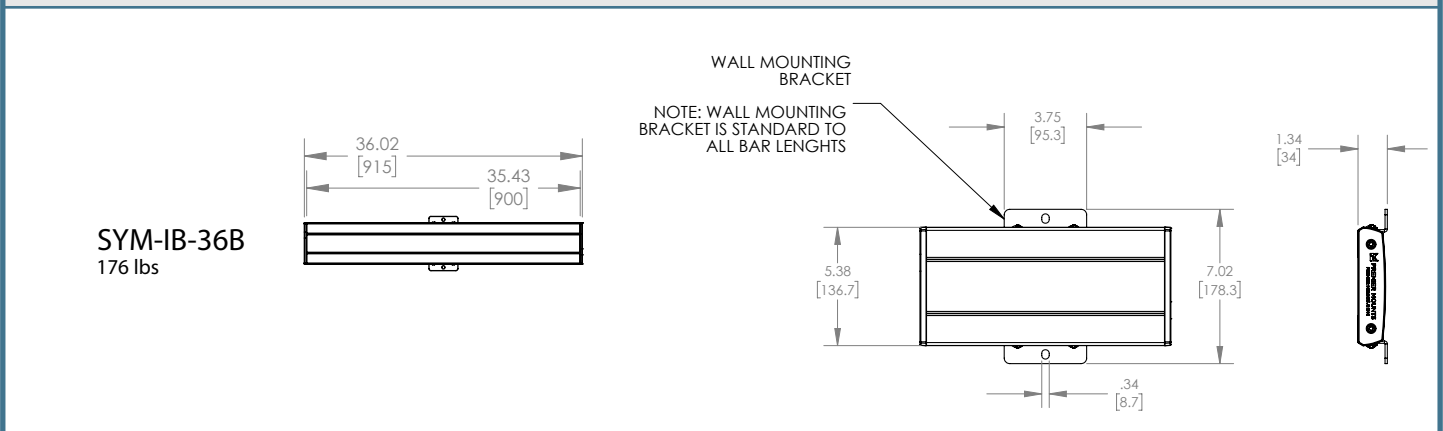
	PART #	COLOR	WEIGHT RATING (lbs./kg)	WIDTH (in./mm)	HEIGHT (in./mm)	DEPTH (in./mm)	MIN HZTL HOLE PAT	MAX HZTL HOLE PAT
	SYM-IB-28B	Black	176lbs. 79kg	28.15" 715mm	7.02" 178.3mm	1.34" 34mm	100mm	650mm

DIMENSIONAL DRAWING



	PART #	COLOR	WEIGHT RATING (lbs./kg)	WIDTH (in./mm)	HEIGHT (in./mm)	DEPTH (in./mm)	MIN HZTL HOLE PAT	MAX HZTL HOLE PAT
	SYM-IB-36B	Black	176lbs. 79kg	36.02" 915mm	7.02" 178.3mm	1.34" 34mm	100mm	850mm


DIMENSIONAL DRAWING



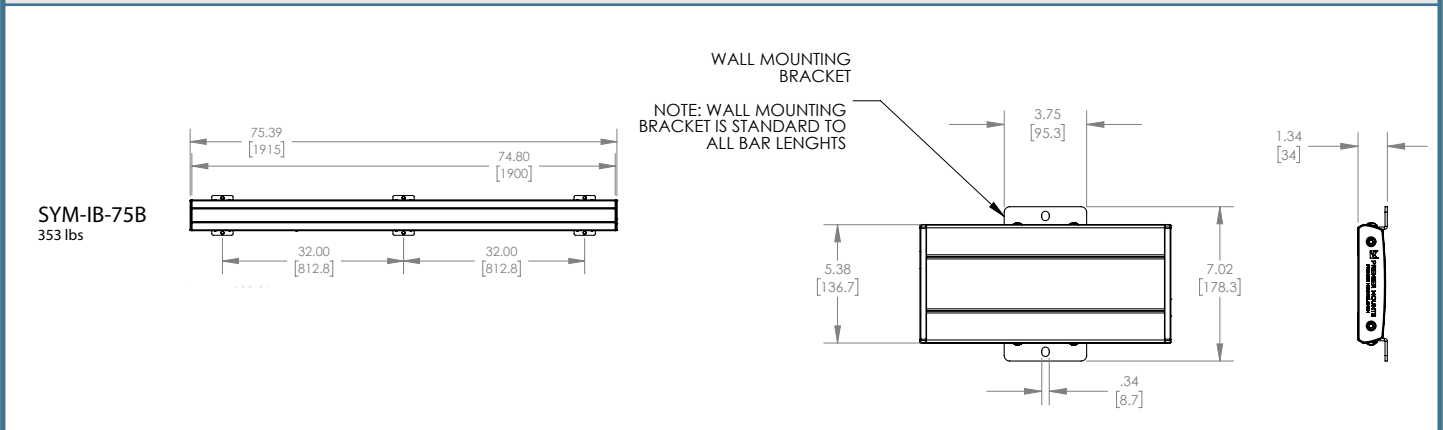
INDIVIDUAL COMPONENTS


BUILD YOUR OWN VIDEO WALL SOLUTION

DISPLAY INTERFACE BARS

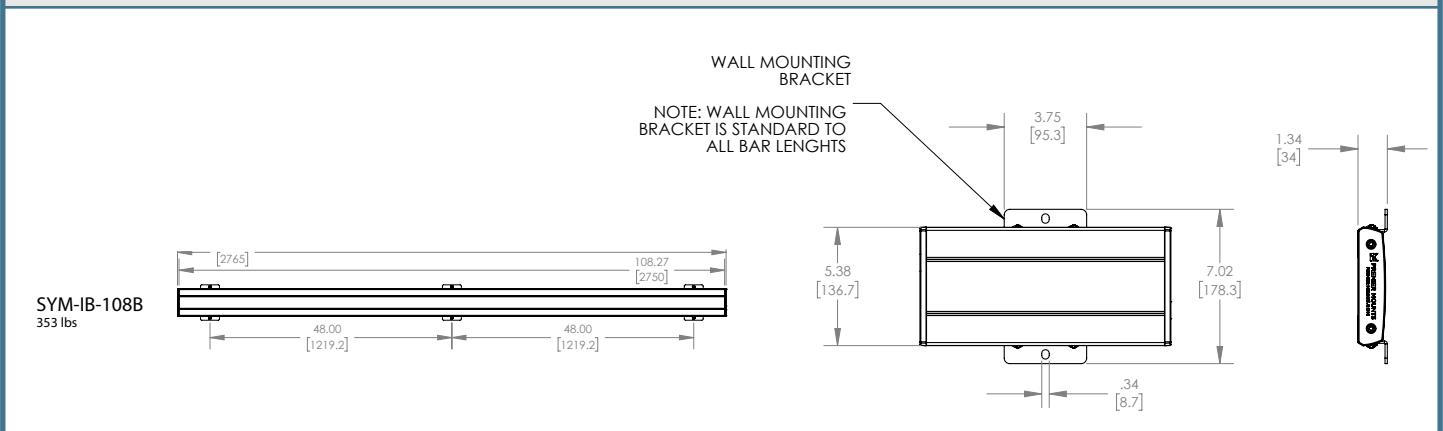
	PART #	COLOR	WEIGHT RATING (lbs./kg)	WIDTH (in./mm)	HEIGHT (in./mm)	DEPTH (in./mm)	MIN HZTL HOLE PAT	MAX HZTL HOLE PAT
	SYM-IB-75B	Black	353lbs. 160kg	75.39" 1915mm	7.02" 178.3mm	1.34" 34mm	100mm	1850mm

DIMENSIONAL DRAWING



	PART #	COLOR	WEIGHT RATING (lbs./kg)	WIDTH (in./mm)	HEIGHT (in./mm)	DEPTH (in./mm)	MIN HZTL HOLE PAT	MAX HZTL HOLE PAT
	SYM-IB-108B	Black	353lbs. 160kg	108" 2765mm	7.02" 178.3mm	1.34" 34mm	100mm	2700mm


DIMENSIONAL DRAWING



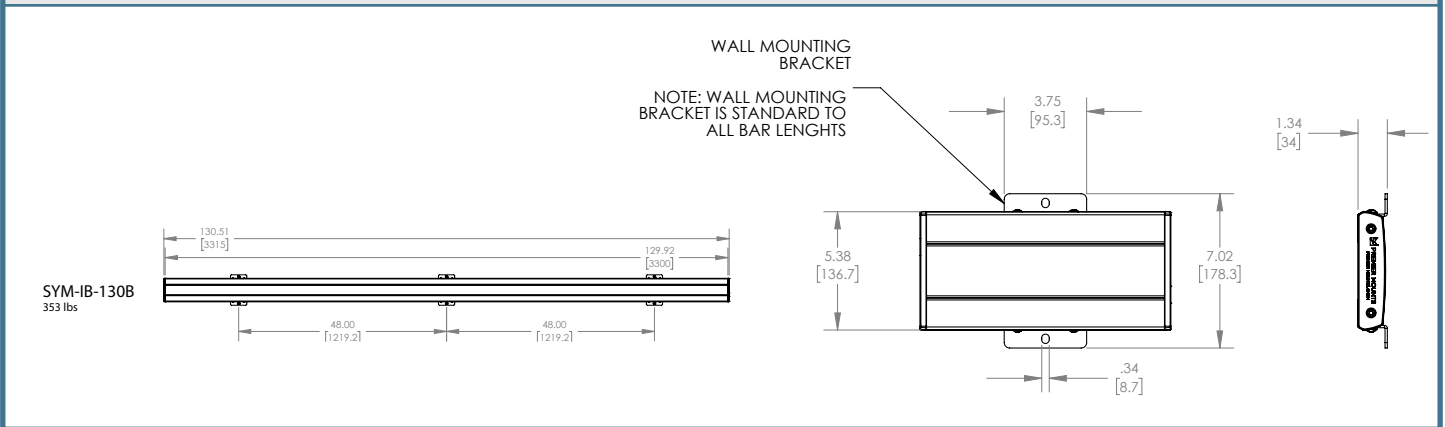
INDIVIDUAL COMPONENTS

BUILD YOUR OWN VIDEO WALL SOLUTION

DISPLAY INTERFACE BARS

	PART #	COLOR	WEIGHT RATING (lbs./kg)	WIDTH (in./mm)	HEIGHT (in./mm)	DEPTH (in./mm)	MIN HZTL HOLE PAT	MAX HZTL HOLE PAT
	SYM-IB-130B	Black	353lbs. 160kg	130.5" 3315mm	7.02" 178.3mm	1.34" 34mm	100mm	3250mm



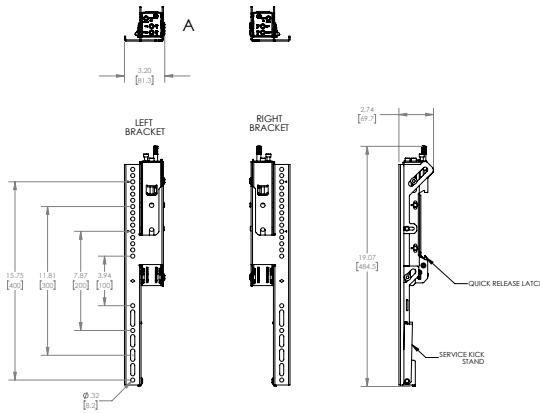
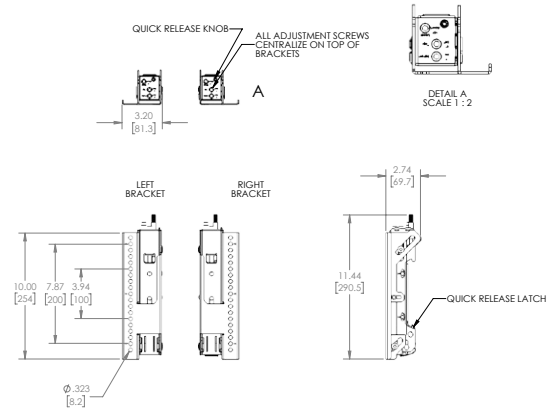
DIMENSIONAL DRAWING



INDIVIDUAL COMPONENTS

BUILD YOUR OWN VIDEO WALL SOLUTION




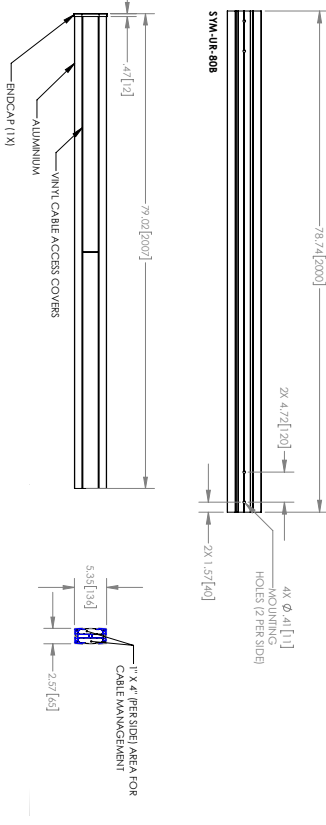
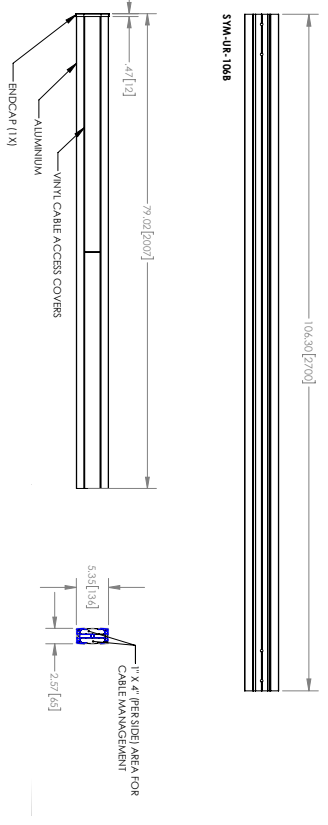
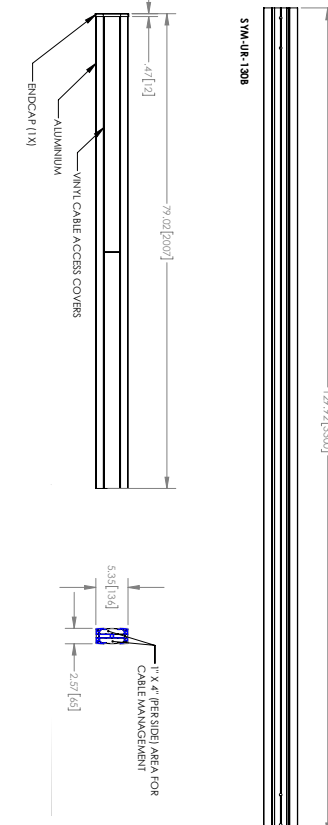
DISPLAY INTERFACE BRACKETS

PART #	SYM-DB-FT	SYM-DB-FTS
<p>PRODUCT IMAGE</p>		
<p>WEIGHT RATING</p>	<p>176lbs. 79kg</p>	<p>176lbs. 79kg</p>
<p>ADJUSTABILITY</p>	<p>6-Point X-,Y-,Z-Axis Adjustments</p>	<p>6-Point X-,Y-,Z-Axis Adjustments</p>
<p>TILT</p>	<p>8° Continuous Downward Tilt</p>	<p>8° Continuous Downward Tilt</p>
<p>WIDTH (in./mm)</p>	<p>3.2" 81.3mm</p>	<p>3.2" 81.3mm</p>
<p>HEIGHT (in./mm)</p>	<p>19.07" 484.37mm</p>	<p>11.44" 290.5mm</p>
<p>DEPTH (in./mm)</p>	<p>2.74" 69.7mm</p>	<p>2.74" 69.7mm</p>
<p>MIN HORIZONTAL HOLE PATTERN</p>	<p>100mm</p>	<p>100mm</p>
<p>DIMENSIONAL DRAWING</p>		

INDIVIDUAL COMPONENTS

BUILD YOUR OWN VIDEO WALL SOLUTION

UPRIGHT MOUNTING STRUCTURE FOR CEILING & FLOOR APPLICATIONS

PART #	SYM-UR-80B	SYM-UR-106B	SYM-UR-130B
PRODUCT IMAGE			
WIDTH (in./mm)	2.57" 65mm	2.57" 65mm	2.57" 65mm
HEIGHT (in./mm)	78.74" 2000mm	106.3" 2700mm	129.92" 3300mm
DEPTH (in./mm)	5.35" 136mm	5.35" 136mm	5.35" 136mm
DIMENSIONAL DRAWING			

INDIVIDUAL COMPONENTS

BUILD YOUR OWN VIDEO WALL SOLUTION

ACCESSORIES



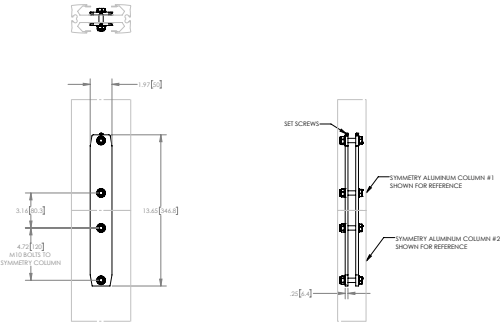
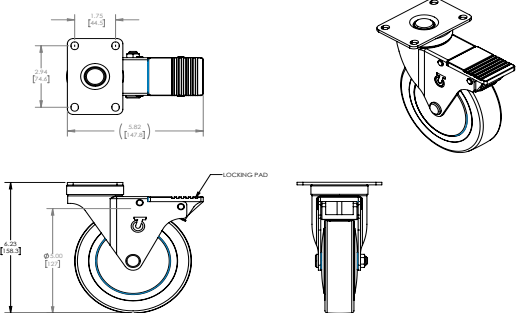
PART #	SYM-IB-EXT	SYM-IB-LB
PRODUCT IMAGE		
DESCRIPTION	Symmetry Interface Bar Extension Adapters for Scaling your Symmetry Mounted Video Wall	Symmetry Interface Wall Bracket Set (Included w/ each Interface Bar)
DIMENSIONAL DRAWING		



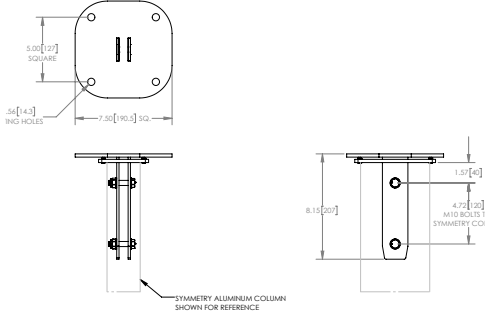
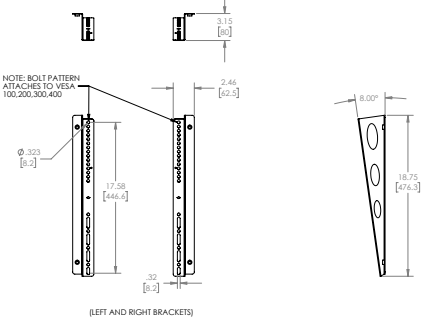
PART #	SYM-PA	SYM-PAC
PRODUCT IMAGE		
DESCRIPTION	Symmetry Ceiling Pipe Adapter for Ceiling Applications	Aesthetic Cover for SYM-PA
DIMENSIONAL DRAWING		

INDIVIDUAL COMPONENTS

BUILD YOUR OWN VIDEO WALL SOLUTION

ACCESSORIES


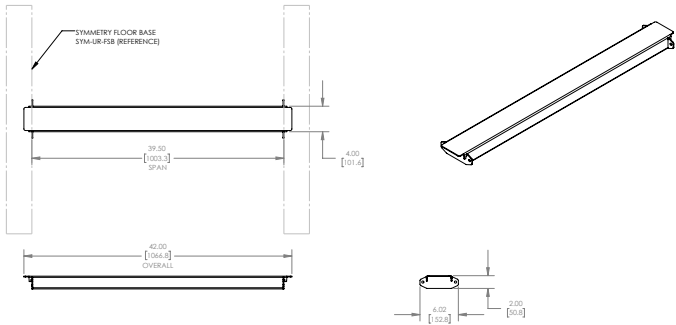
PART #	SYM-UR-CA	SYM-UR-CAST
<p>PRODUCT IMAGE</p>		
<p>DESCRIPTION</p>	<p>Upright Coupling Brackets for Increasing height of ceiling, stand and mobile Symmetry configurations</p>	<p>Pair - 5" Locking Casters w/ 300lb Wt. Rating for Carts</p>
<p>DIMENSIONAL DRAWING</p>		

PART #	SYM-UR-CM	SYM-DB-TA
<p>PRODUCT IMAGE</p>		
<p>DESCRIPTION</p>	<p>Symmetry Fixed Ceiling Mount</p>	<p>Symmetry 8° Fixed Tilt Adapter Brackets</p>
<p>DIMENSIONAL DRAWING</p>		

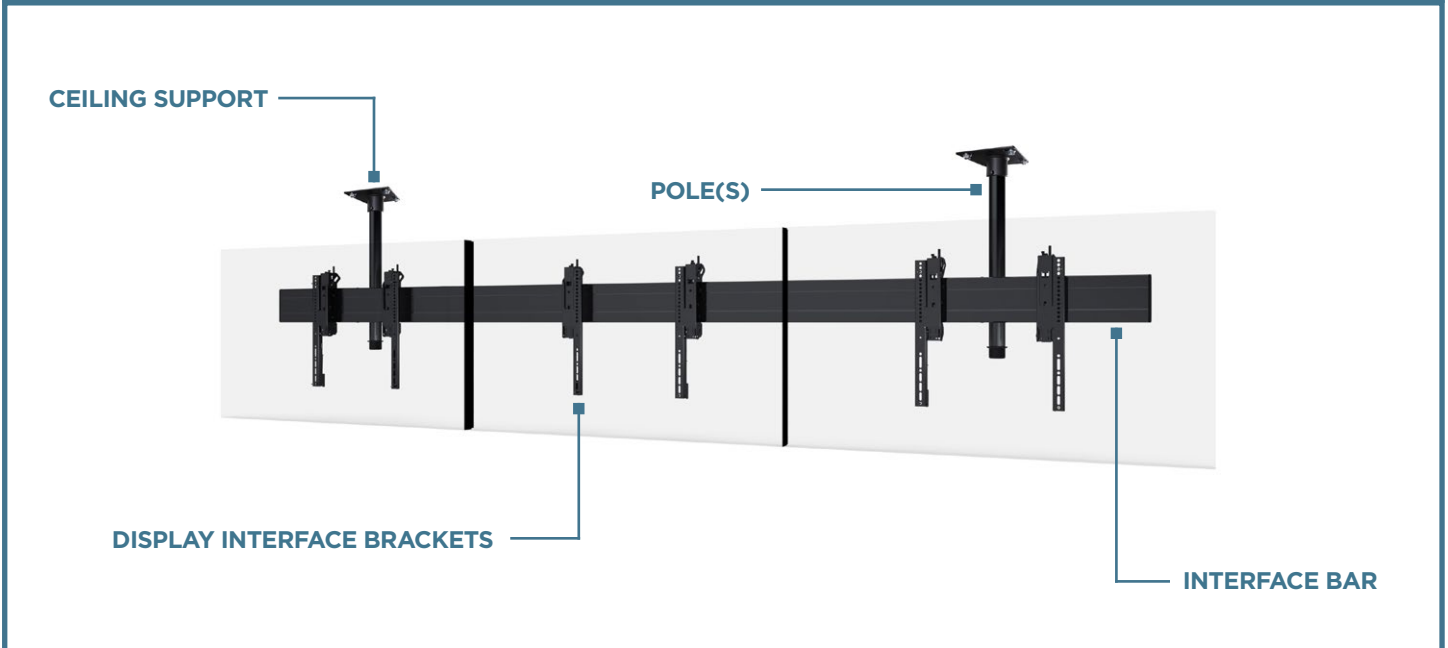
INDIVIDUAL COMPONENTS

BUILD YOUR OWN VIDEO WALL SOLUTION

ACCESSORIES

PART #	SYM-UR-CS-46
PRODUCT IMAGE	
DESCRIPTION	Floor Stand Cross-Support for Symmetry Uprights
DIMENSIONAL DRAWING	




CEILING SUPPORT ASSEMBLY REFERENCE IMAGE



INDIVIDUAL COMPONENTS

BUILD YOUR OWN VIDEO WALL SOLUTION

CEILING SUPPORT PRODUCTS FLAT CEILING

 <p>WOOD</p>  <p>CONCRETE</p>  <p>GENERAL PURPOSE</p>	PP-5	Ceiling Adapter w/ 1.5" NPT Welded Coupler for Flat Panel Displays & Projectors up to 500 lbs.
	PP-5A	Ceiling Adapter w/ 1.5" NPT Coupler w/ Cable Access Hole for Flat Panel Displays & Projectors up to 500 lbs.
	PP-6	Ceiling Adapter w/ 2" NPT Welded Coupler for Flat Panel Displays & Projectors up to 750 lbs.
	PP-6A	Ceiling Adapter w/ 2" NPT Coupler w/ Cable Access Hole for Flat Panel Displays & Projectors up to 750 lbs.
	SYM-UR-CM	Fixed Ceiling Mount for Upright Extrusions

CEILING SUPPORT PRODUCTS TRUSS

	PCC-1-1-2	Cheeseborough Clamp w/ 1.5" Coupler - Mounts to Truss or 1.5" & 2" NPT Pipe
	PCC-2	Cheeseborough Clamp w/ 2" Coupler - Mounts to Truss or 1.5" & 2" NPT Pipe

CEILING SUPPORT PRODUCTS UNISTRUT

	PP-UA	Unistrut Adapter w/1.5" NPT Coupler w/ Cable Access Attached to Commercially Available Unistrut Supports up to 400 lbs.
--	--------------	---

CEILING SUPPORT PRODUCTS ADJUSTABLE HEIGHT - SUSPENSION ADAPTERS

	APP-XXXX	Adjustable Height Suspension Adapter Pipe for Ceiling Mounted Displays Lengths: 6" - 9" 9" - 12" 13 - 21" 18" - 24" 24" - 46" 36" - 60" 48" - 72" Colors: Black, White
--	-----------------	--



INDIVIDUAL COMPONENTS

BUILD YOUR OWN VIDEO WALL SOLUTION

CEILING SUPPORT PRODUCTS FIXED HEIGHT - SUSPENSION ADAPTERS



PWH-XX

Adjustable Height Suspension Adapter Pipe for Ceiling Mounted Displays
Lengths: 4" | 6" | 8" | 10" | 12" | 18" | 24" | 36" | 48"
Colors: Black, White

CEILING SUPPORT PRODUCTS PIPE ADAPTERS FOR APP & PWH



SYM-PA

Symmetry Ceiling Pipe Adapter



SYM-PAC

Aesthetic Cover for SYM-PA

CEILING SUPPORT PRODUCTS FIXED HEIGHT EXTRUSION COLUMNS



SYM-UR-80B

78.4" | 2000mm

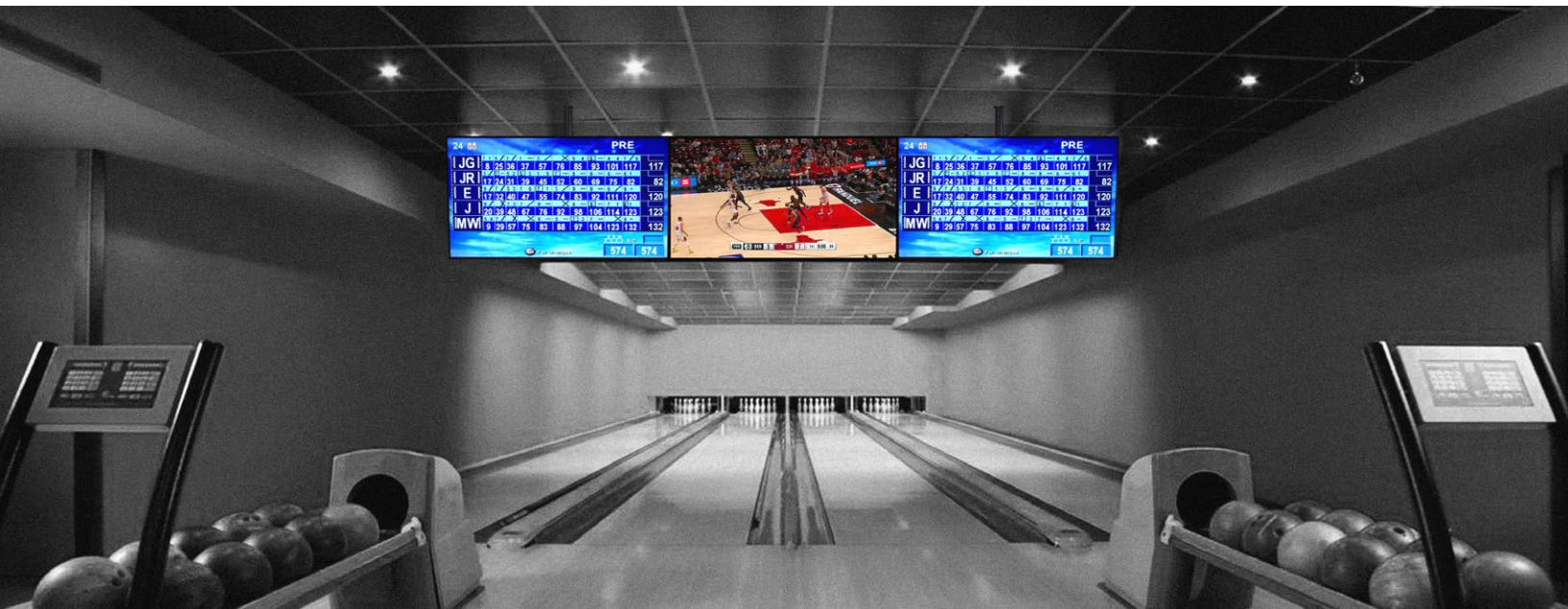
SYM-UR-106B

106.3" | 2700mm

SYM-UR-130B

129.92" | 3300mm

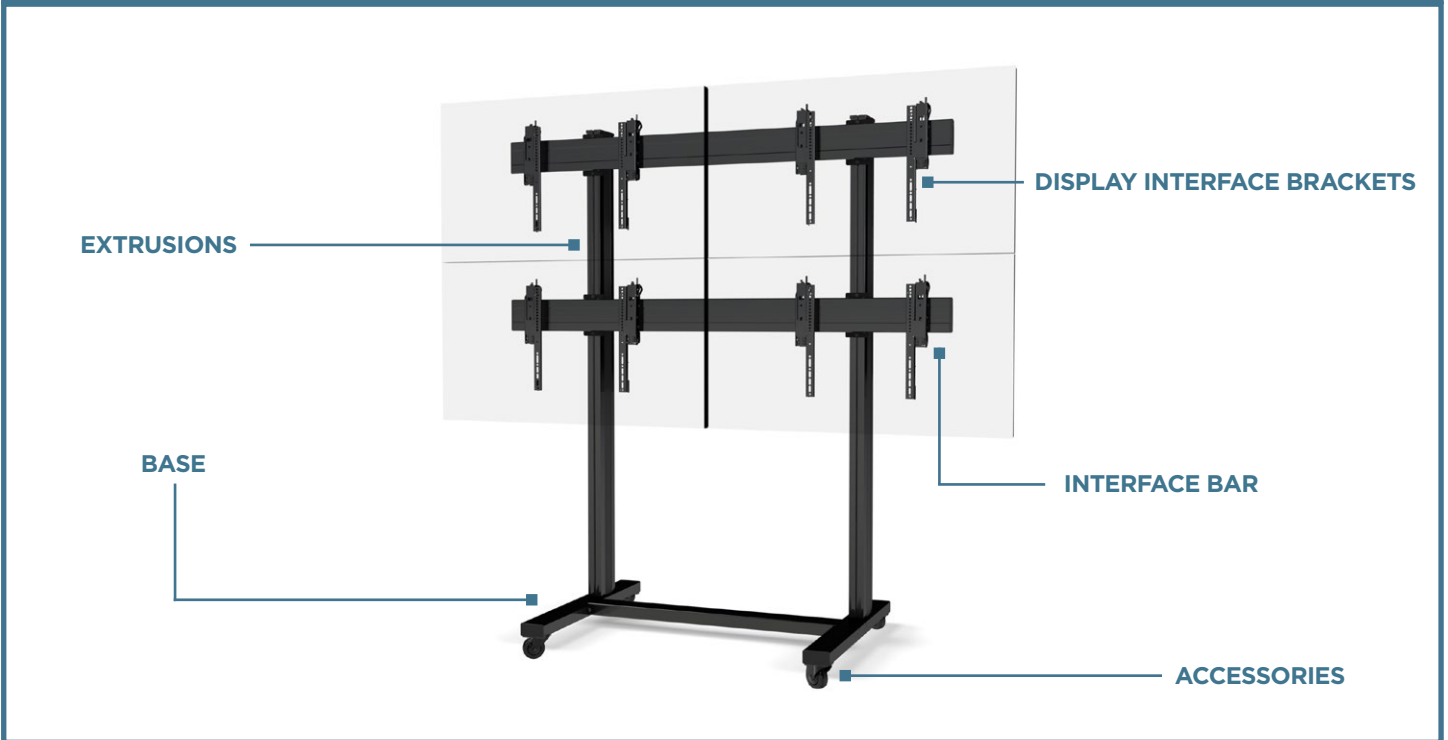
*Requires SYM-UR-CM



INDIVIDUAL COMPONENTS

BUILD YOUR OWN VIDEO WALL SOLUTION

FLOOR SOLUTIONS ASSEMBLY REFERENCE IMAGE



FLOOR SOLUTIONS PART NUMBERS



BASES	UPRIGHT EXTRUSIONS	INTERFACE BARS	DISPLAY BRACKETS	MOBILE ACCESSORIES
SYM-UR-FFA	SYM-UR-80B	SYM-IB-11B	SYM-DB-FT	SYM-UR-CAST
SYM-UR-FSB	SYM-UR-106B	SYM-IB-28B	SYM-DB-FTS	SYM-UR-CS-46
	SYM-UR-130B	SYM-IB-75B		7170-1009-00
		SYM-IB-108B		7170-1009-01
		SYM-IB-130B		

SOLVE WITH SYMMETRY

INDIVIDUAL COMPONENTS

BUILD YOUR OWN VIDEO WALL SOLUTION



FLOOR SOLUTIONS BASES

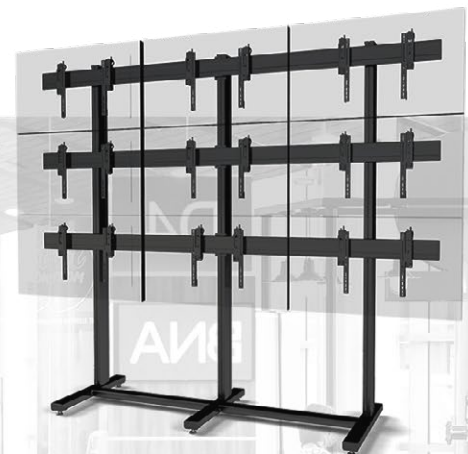
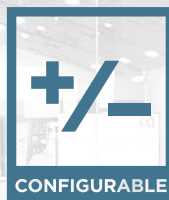
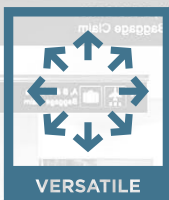
	<p>SYM-UR-FSB</p>	<p>Freestanding Base for Symmetry-Mounted Video Walls (80"+)</p>
	<p>SYM-UR-FFA</p>	<p>Upright Fixed Floor Anchor for Freestanding Video Walls (80"+)</p>

POLES FIXED HEIGHT EXTRUSION COLUMN

<p>SYM-UR-80B</p>	<p>Height: 78.4" 2000mm</p>
<p>SYM-UR-106B</p>	<p>Height: 106.3" 2700mm</p>
<p>SYM-UR-130B</p>	<p>Height: 129.92" 3300mm</p>

FLOOR SOLUTIONS ACCESSORIES

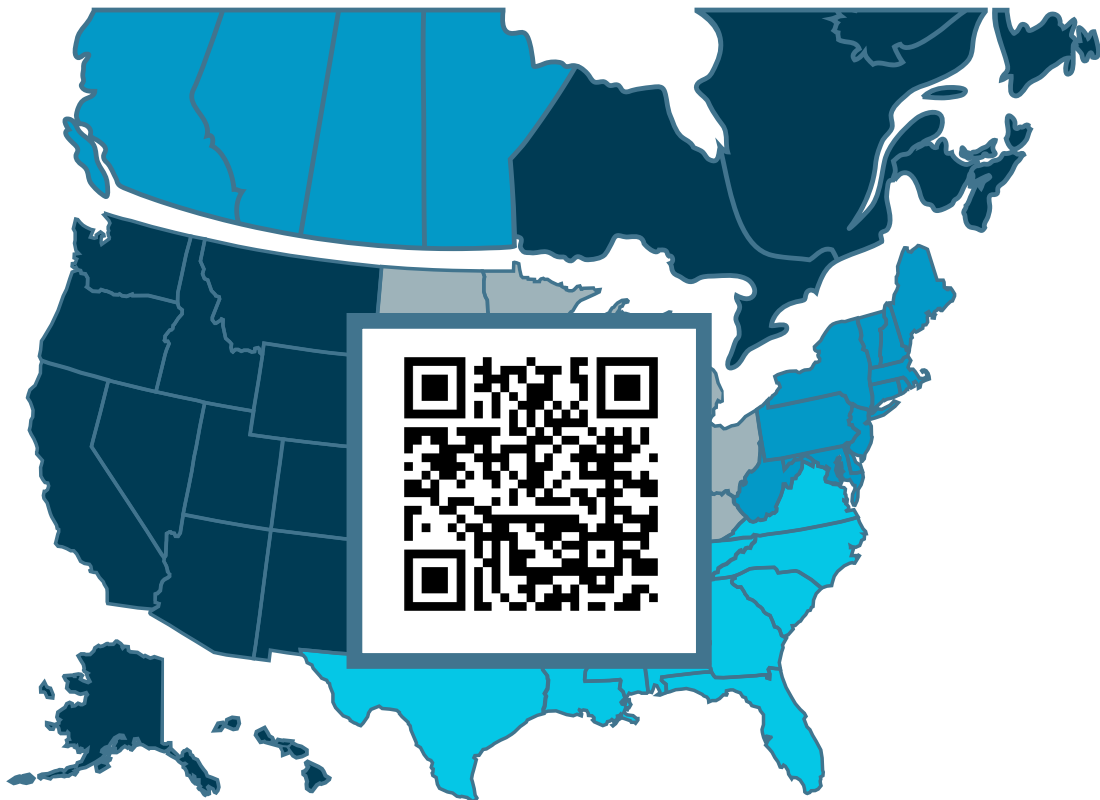
	<p>SYM-UR-CAST</p>	<p>Pair of 5" Locking Casters with 300lb Weight Rating for Symmetry Series (1 Needed per SYM-UR-FSB)</p>
	<p>SYM-UR-CS-46</p>	<p>Floor Stand Cross-Support for Symmetry Uprights</p>





PM HOW TO BUY

Scan the QR code below to contact your local sales representative today!



**Questions or need more information?
No problem, we're here to help!**

Call us at, 1.800.368.9700

Email us at, ORDERS@PREMIERMOUNTS.COM

Visit **PREMIERMOUNTS.COM** to see our complete line of AV solutions and hang with us on social media at, **@PREMIERMOUNTS**

We look forward to hanging with you and MOUNT UP.

PREMIER MOUNTS
500 W Central Ave, Suite A
Brea, CA 92821

