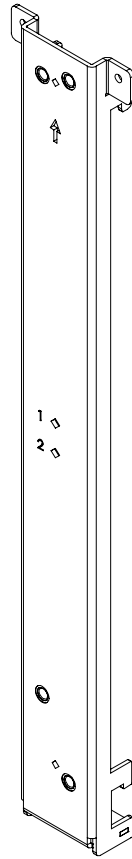


**LMVU**  
7160-1968  
Installation Guide

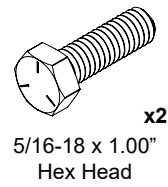
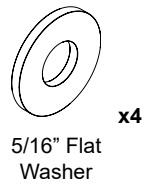
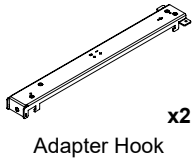
**1-5/8" Strut Channel Adapter for  
LMV / LMVP/ LMVS / LMVSP**



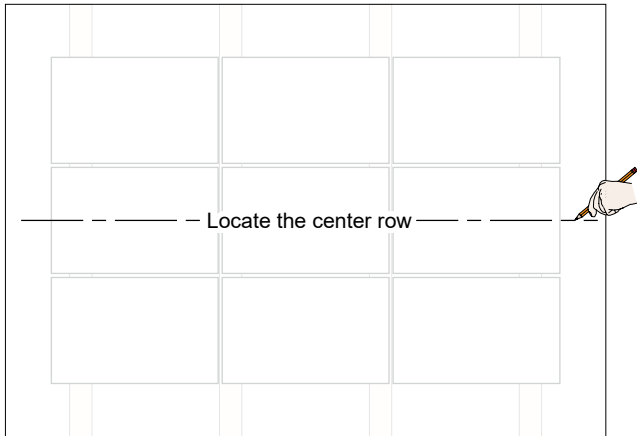
INST-1166 REV A



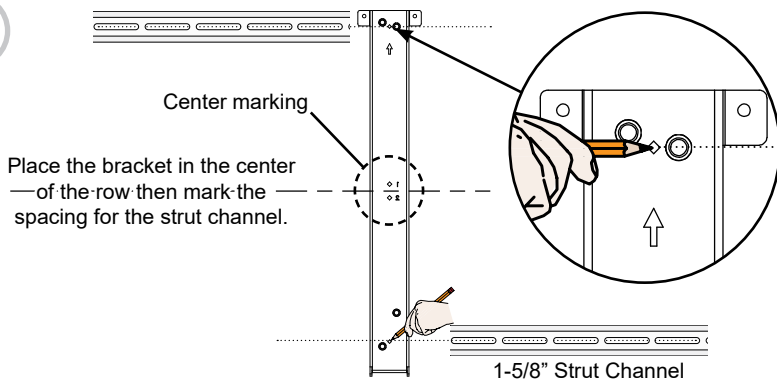
**Includes:**



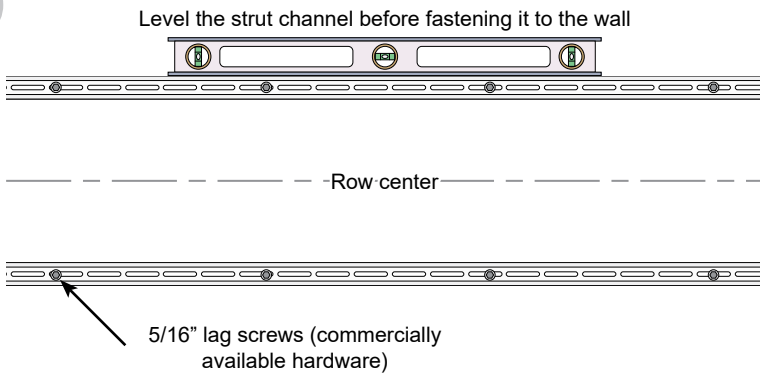
1



2

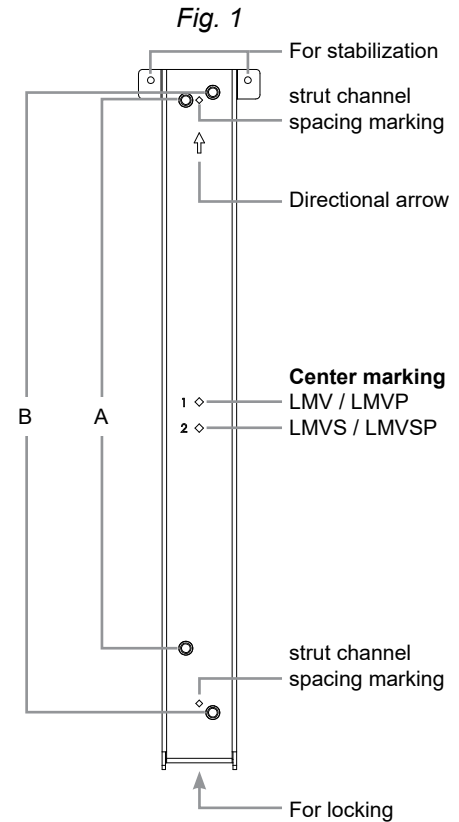


3



**Features**

**For 1-5/8" Wide Strut Channel**

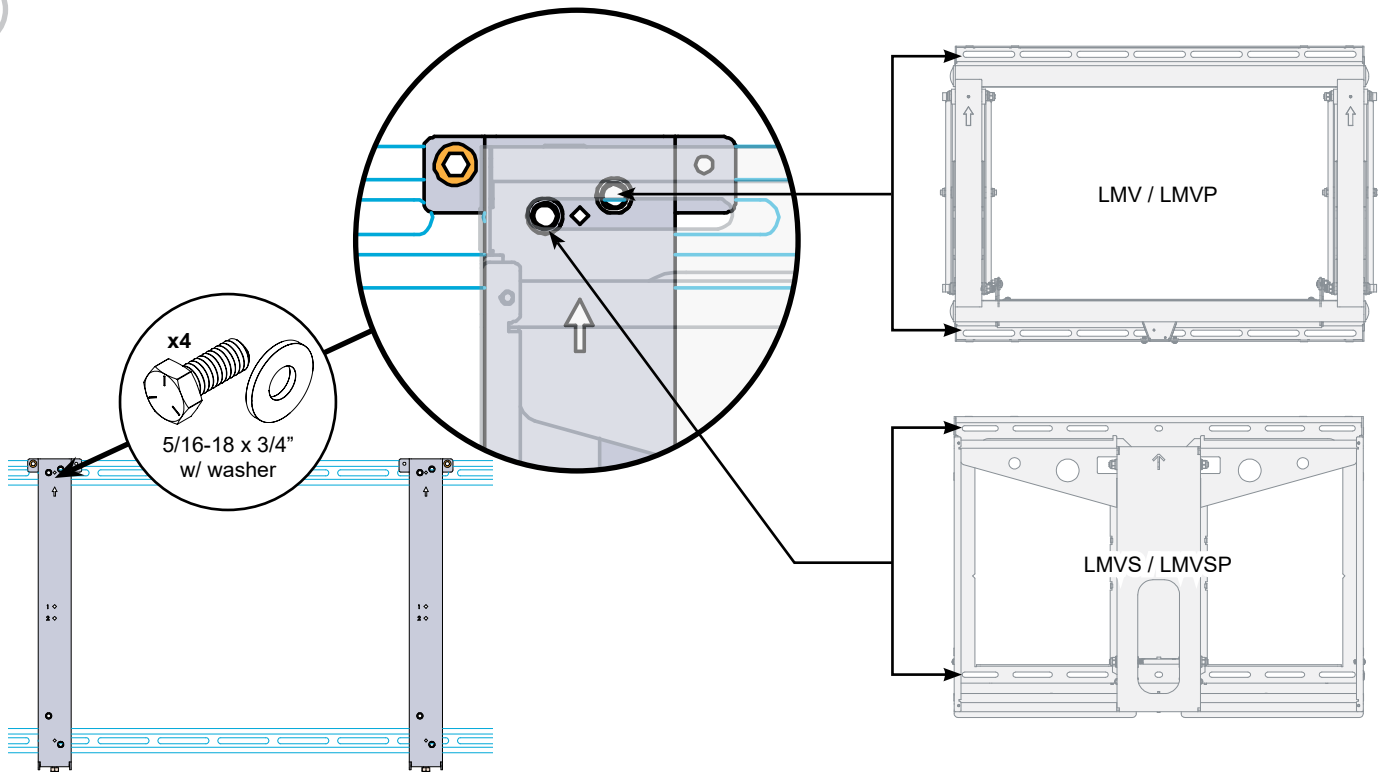


**Bolt pattern**  
A - LMV / LMVP  
B - LMVS / LMVSP

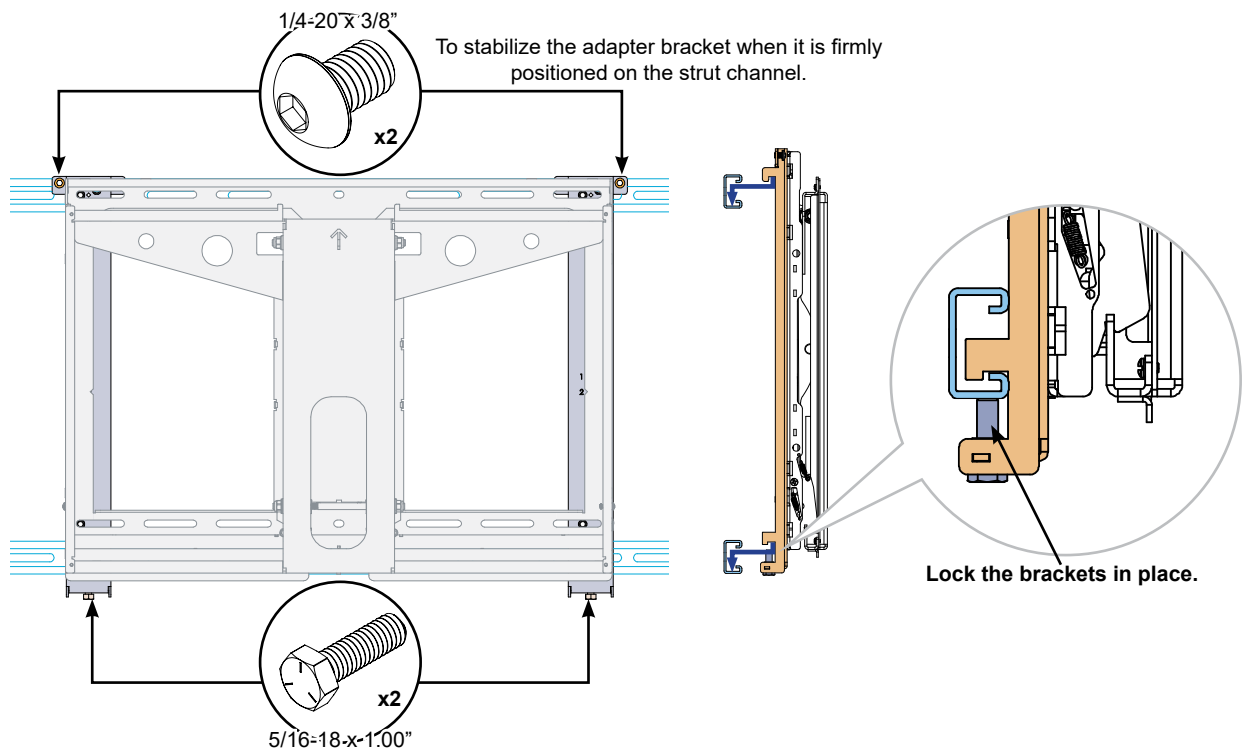


Attach the strut adapter brackets to the pop-out mounts wall plates. The brackets have two bolting locations, depending on the model.

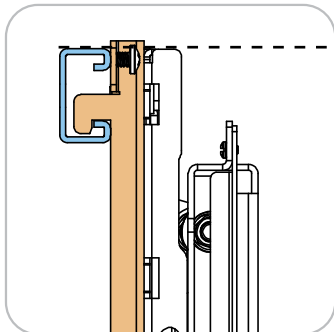
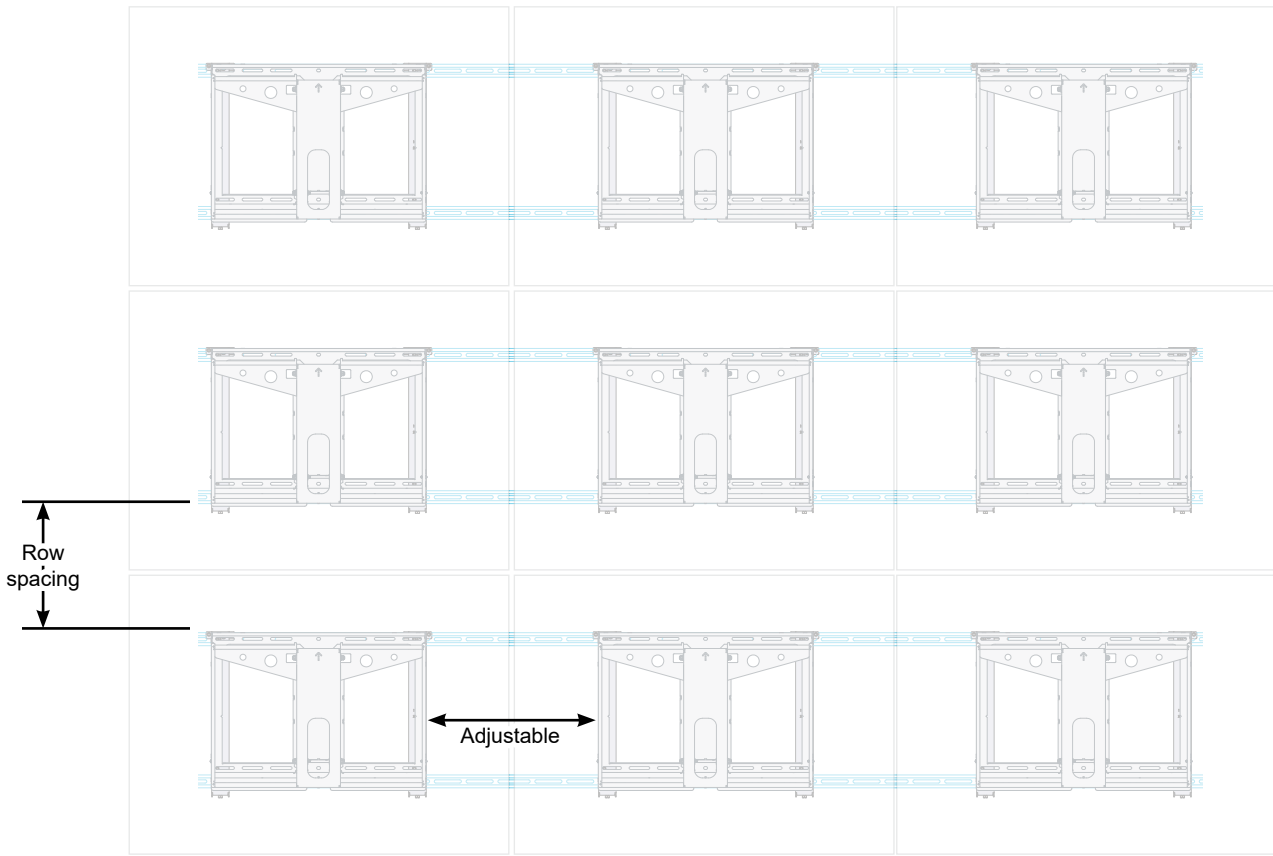
4



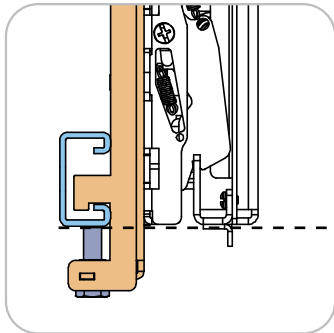
5



6



Strut channel and the wallplate are on the same plane.



Strut channel and the wallplate are on the same plane.

The spacing between rows will vary depending on the display's manufacturer and model. Dimensional drawings are available on request.

