



7160-1968 LMV-U Unistrut Adapter Brackets

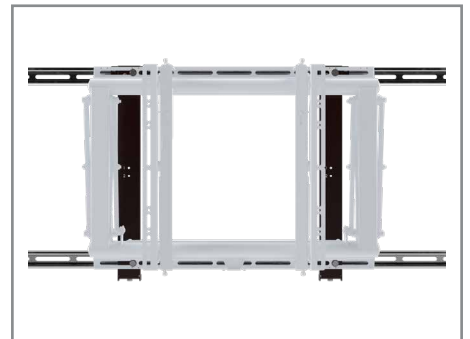
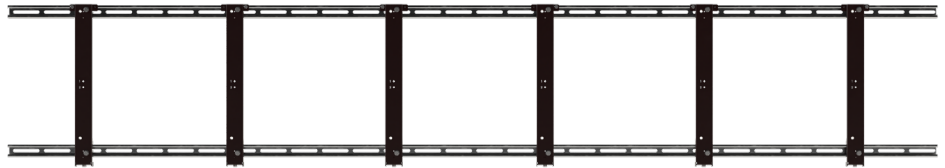
ITEM: 7160-1968

WEIGHT: 160 LB/ 73 KG

The LMVU brackets adapt Premier Mounts' Press and Release mounts (LMV series) to standard Unistrut channel, streamlining video wall installation and horizontal alignment.

FEATURES

- Compatible with LMV, LMVP, LMVF, LMVS, LMVSP
- Compatible with most 1-5/8" sizes of channel strut
- .61" depth (not including Unistrut) maintains low-profile design
- Maintains the mounts "6-point adjustment"
- Integrated Unistrut spacing indicators
- Two safety screws to secure the mount in place
- High-quality steel with black powder-coated finish

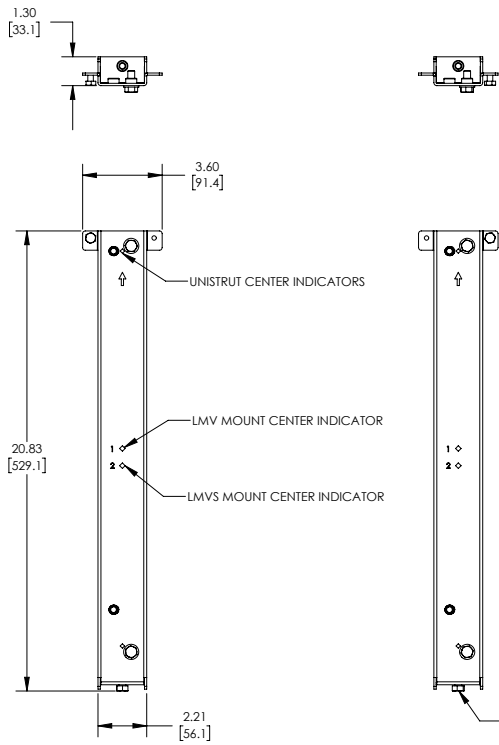


SPECIFICATIONS

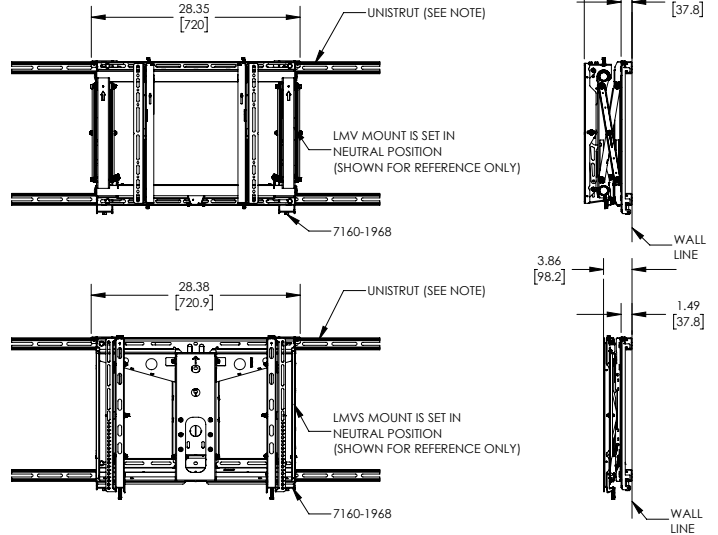
WEIGHT	HEIGHT x WIDTH x DEPTH
160 lb. 72 kg	20.83 in (52.9 cm) x 3.6 in (9.14 cm) x 1.3 in (3.3 cm)

ARCHITECTURAL DRAWING

THE INFORMATION ON THIS DOCUMENT IS THE SOLE PROPERTY OF PREMIER MOUNTS DIVISION OF GAMBER-JOHNSON AND SHALL NOT BE COPIED, REPRODUCED, USED OR DISCLOSED IN WHOLE OR IN PART WITHOUT THE WRITTEN CONSENT OF PREMIER MOUNTS DIVISION OF GAMBER-JOHNSON.



NOTE: (P3300SL UNISTRUT SHOWN FOR REFERENCE ONLY, NOT SUPPLIED)



DESCRIPTION:			
LMV/LMVS SERIES UNISTRUT BRACKET			
PART NO. 7160-1968			
MAX. WEIGHT CAPACITY	DIMENSION ARE IN	SCALE:	SHEET
160 LB.	INCH AND (MM)	1:12	1 OF 1

